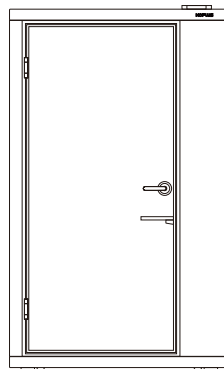


# MILLI SIT



## Assembly Instructions.

---

acoustic collection - milli sit  
[left hand open - outlet on right - without sofa - type A/B]

koplus b.v. | [koplus.eu](http://koplus.eu)  
[info@koplusbrand.com](mailto:info@koplusbrand.com)

version211222



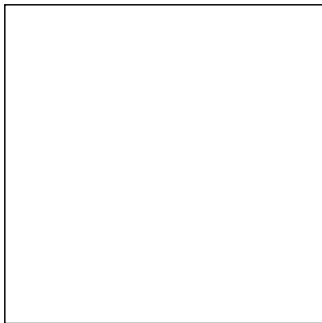
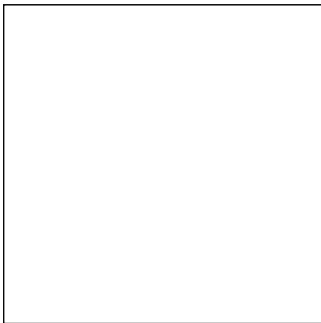
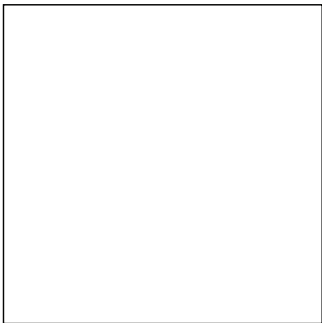
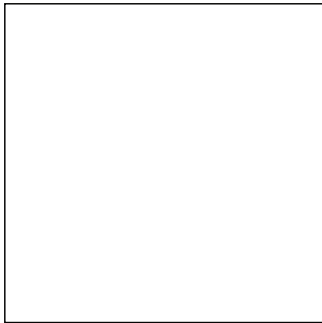
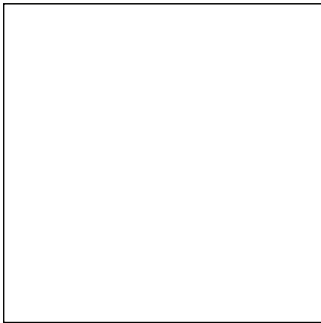
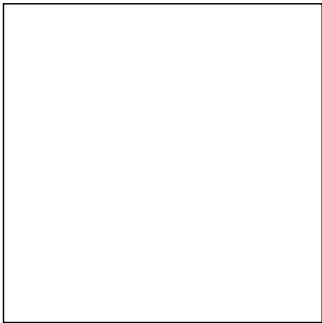
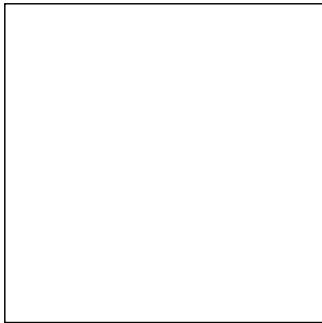
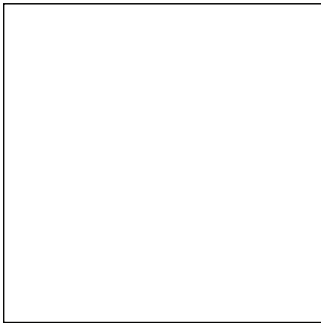
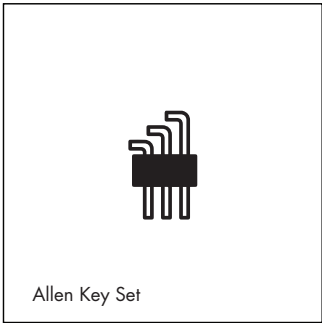
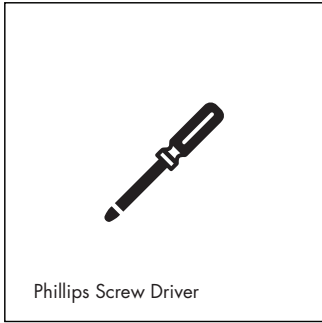
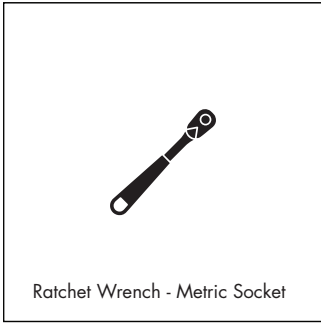




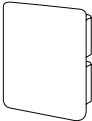
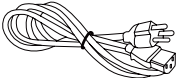
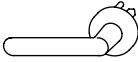

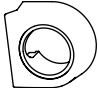
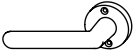

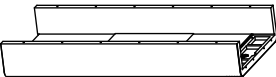
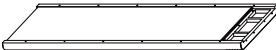
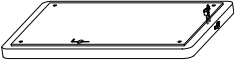


Before we start, here are some things to be aware of:

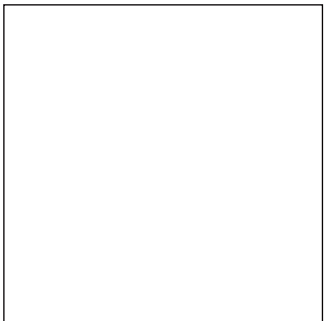
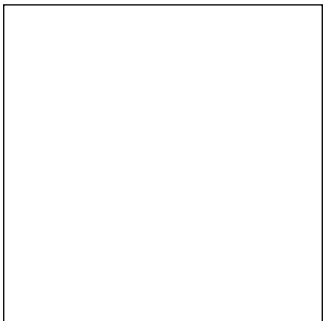
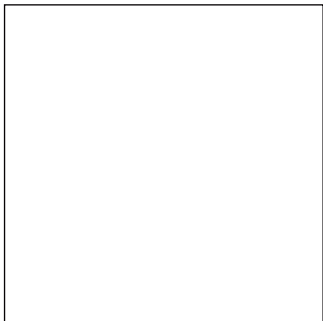
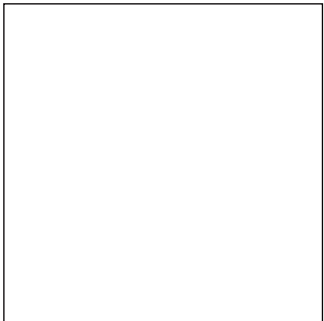
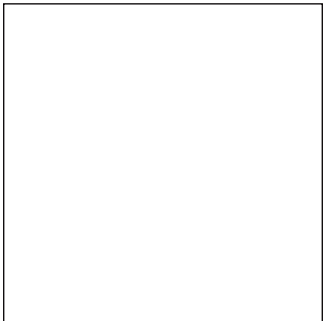
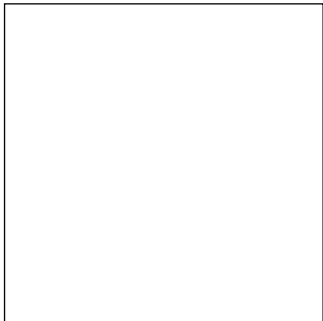
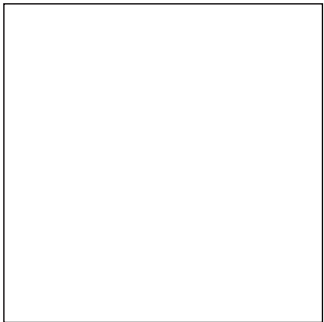
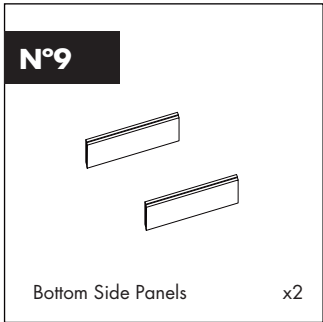
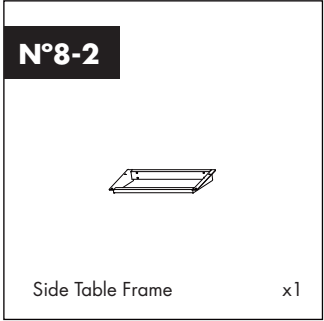
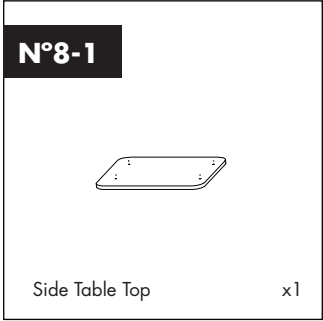
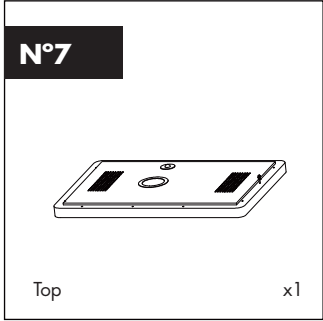
1. This is the assembly instruction for left hand opening door **Milli Sit** without sofa.
2. A packaged **Milli Sit** unit weights 245 kg and will require 2-3 persons to install. It takes an average of 30 - 45 min to install **Milli Sit**.
3. Please assemble with caution and make sure that the installation site is protected to prevent any injuries or risks of damaging the product and surrounding.
4. Position and assemble **Milli Sit** as close to its final placement as possible. If needed, a fully assembled **Milli Sit** can be repositioned by retracting its four leveling feet and moved with its bottom rollers. When moving the unit, DO NOT push the unit against the rollers' direction! You may risk tipping **Milli Sit** or damaging its rollers.
5. Make sure you have all the required tools listed (pg. 03).
6. We recommend leaving at least 30 cm of space between the wall or between multiple units of **Milli Sit**.
7. Make sure that the **Milli Sit** power source can safely load 10amp. When the ventilation is on, LED light is at its full lumination, and the power charging station is not in use, the wattage usage is 14W. The power cord fuse is set at 7amp to prevent overloading.
8. **Milli Sit** comes with 2 AC power outlets and 2 USB charging outlets. DO NOT plug in any electronic devices that uses over 5amp.

# Required Tools



# Part List


<p><b>N°1-1</b></p>  <p>Tool Kit: Screw Pack x1</p>	<p><b>N°1-2</b></p>  <p>Tool Kit: Power Cord x1</p>	<p><b>N°1-3</b></p>  <p>Exterior Handle x1</p>
<p><b>N°1-4</b></p>  <p>Exterior Bezel x1</p>	<p><b>N°1-5</b></p>  <p>Interior Bezel x1</p>	<p><b>N°1-6</b></p>  <p>Interior Handle x1</p>
<p><b>N°1-7</b></p>  <p>M4x40mmL x2</p>	<p><b>N°2</b></p>  <p>Side Wall +Electric x1</p>	<p><b>N°3</b></p>  <p>Side Wall x1</p>
<p><b>N°4</b></p>  <p>Bottom x1</p>	<p><b>N°5</b></p>  <p>Back Glass Frame x1</p>	<p><b>N°6</b></p>  <p>Glass Door Frame x1</p>






# Tool Kit: Screw Pack List

**A**




M8 x 40 x36

**B**




M8 x 60 x8

**C**




M8 x 80 x4

**D**



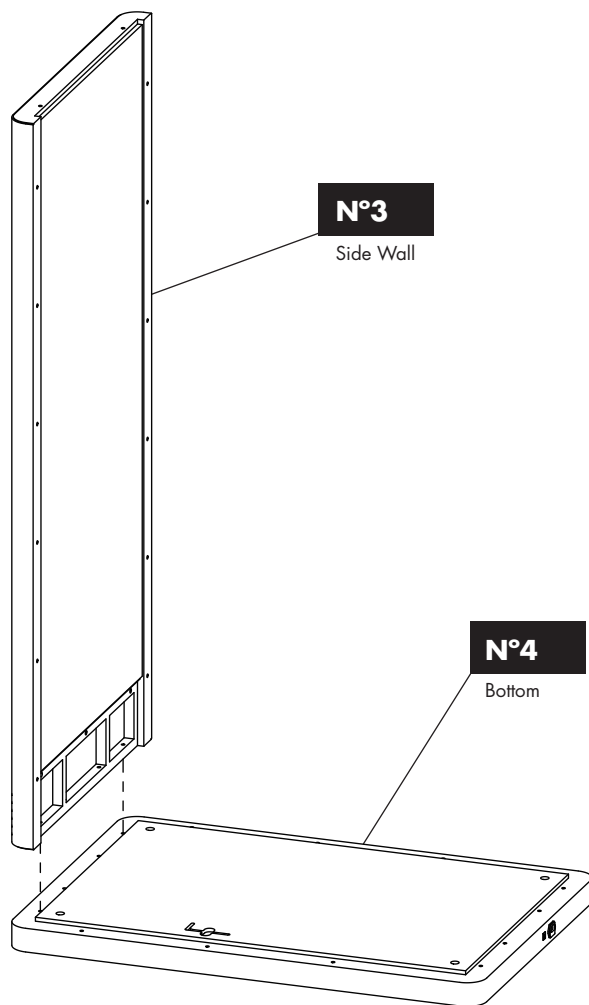
1/4-20UNC x 3-1/8"L x4

**E**

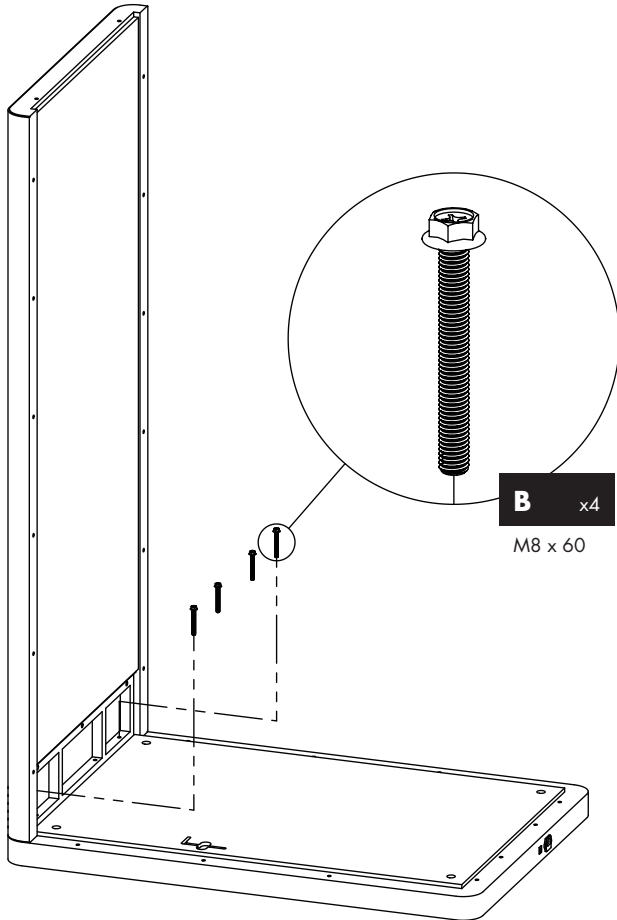


1/4-20UNC x 5/8"L x4

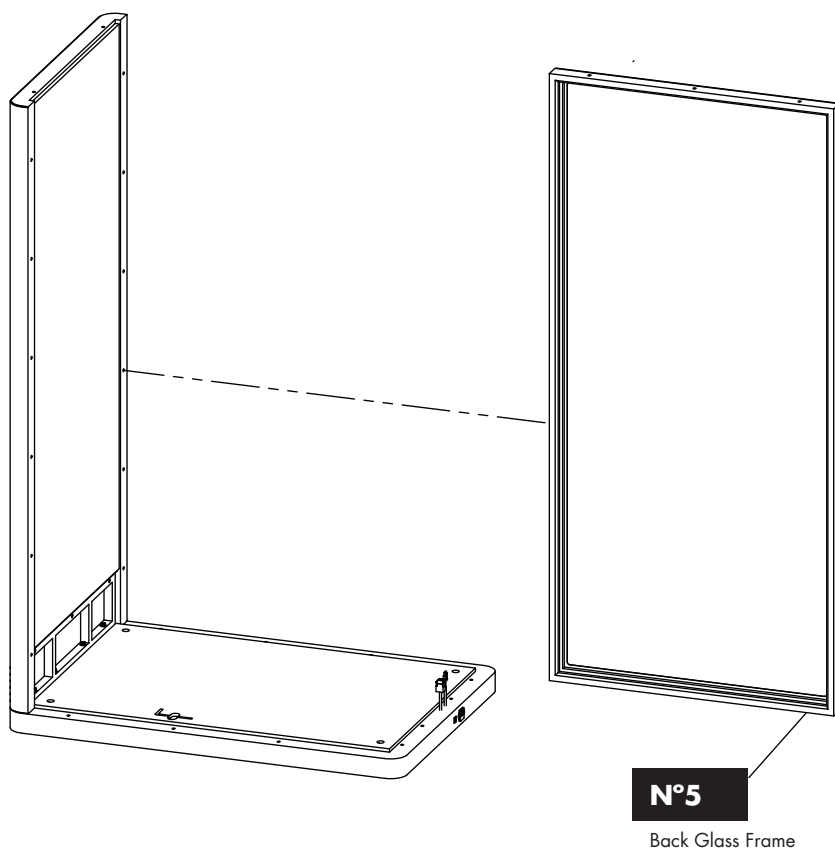
# Step 1.



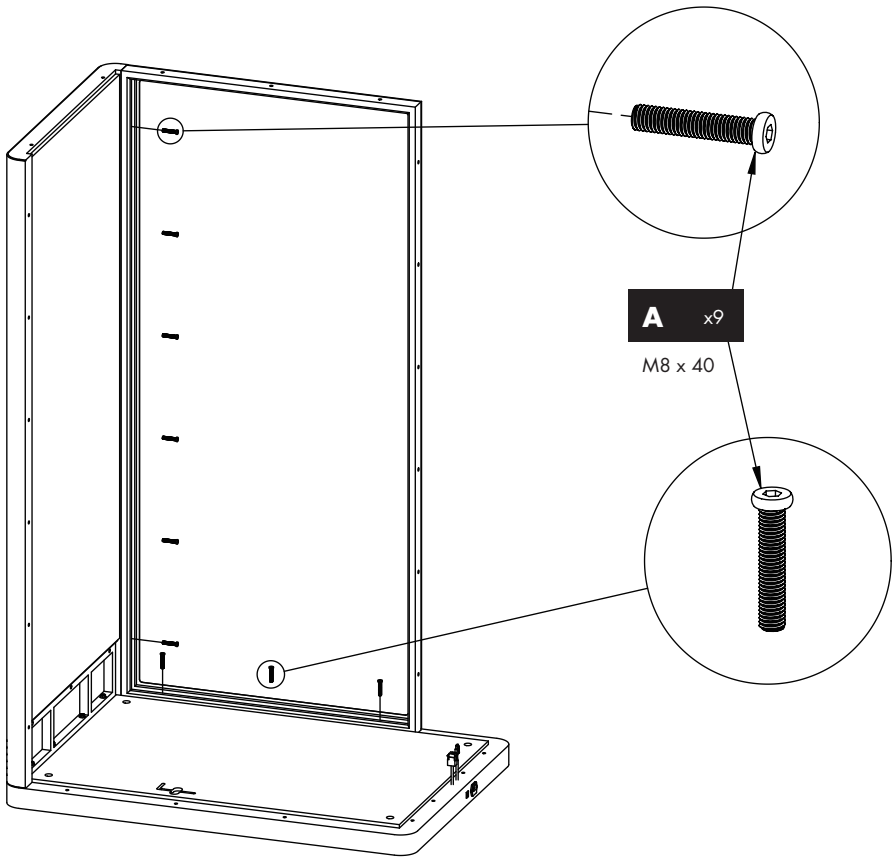
# Step 2.



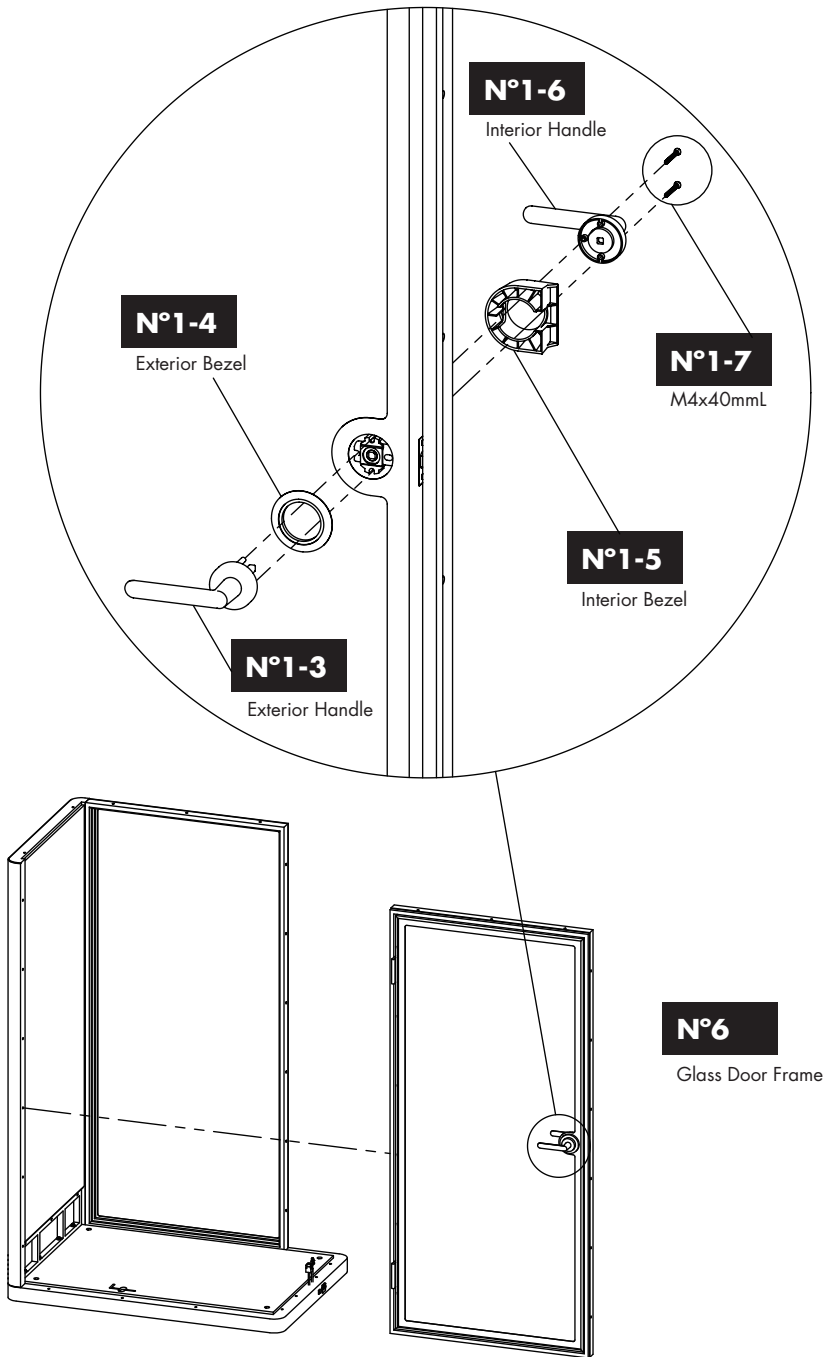
## Step 3.



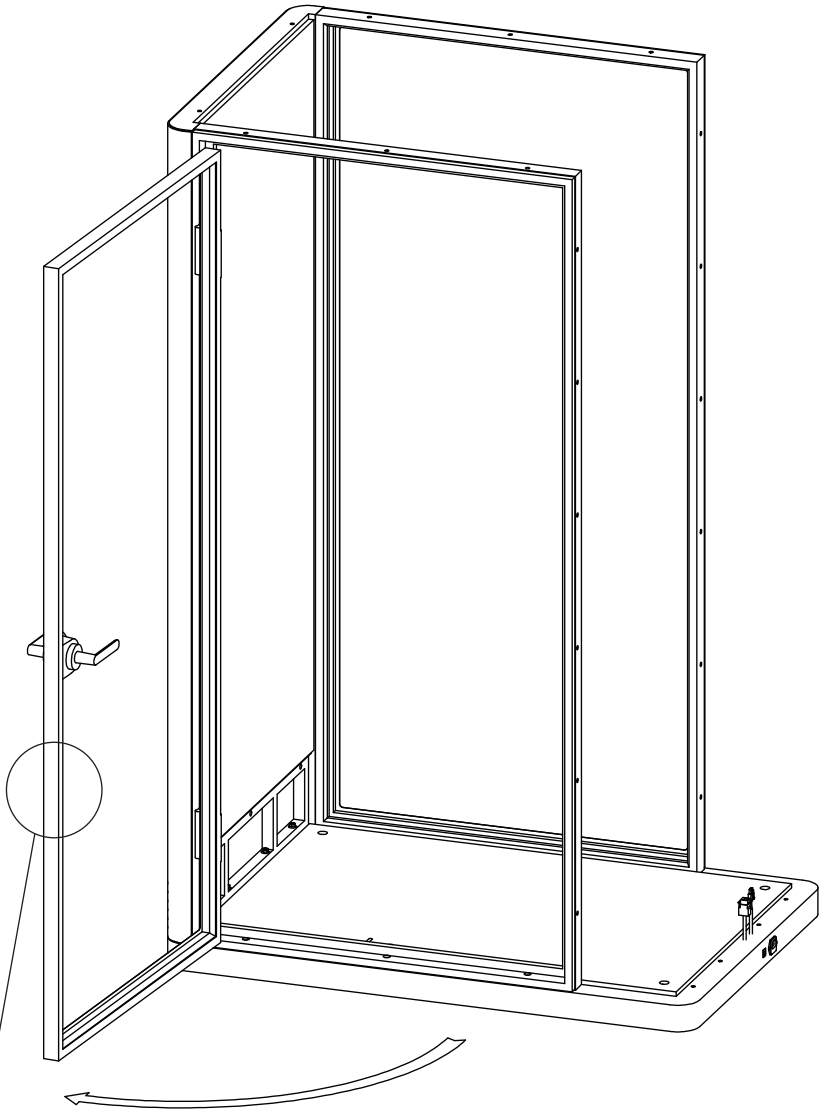
# Step 4.





# Step 5.

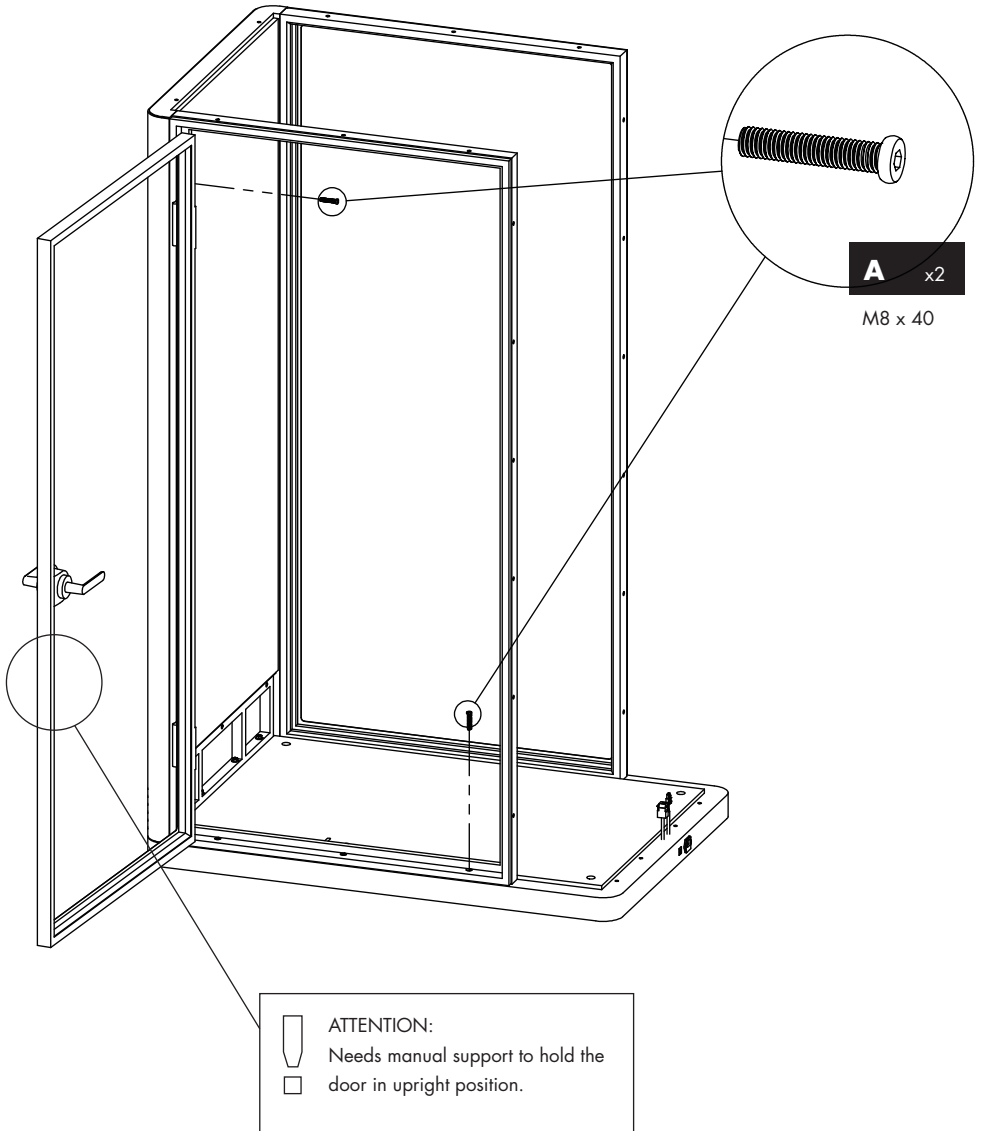


# Step 6.



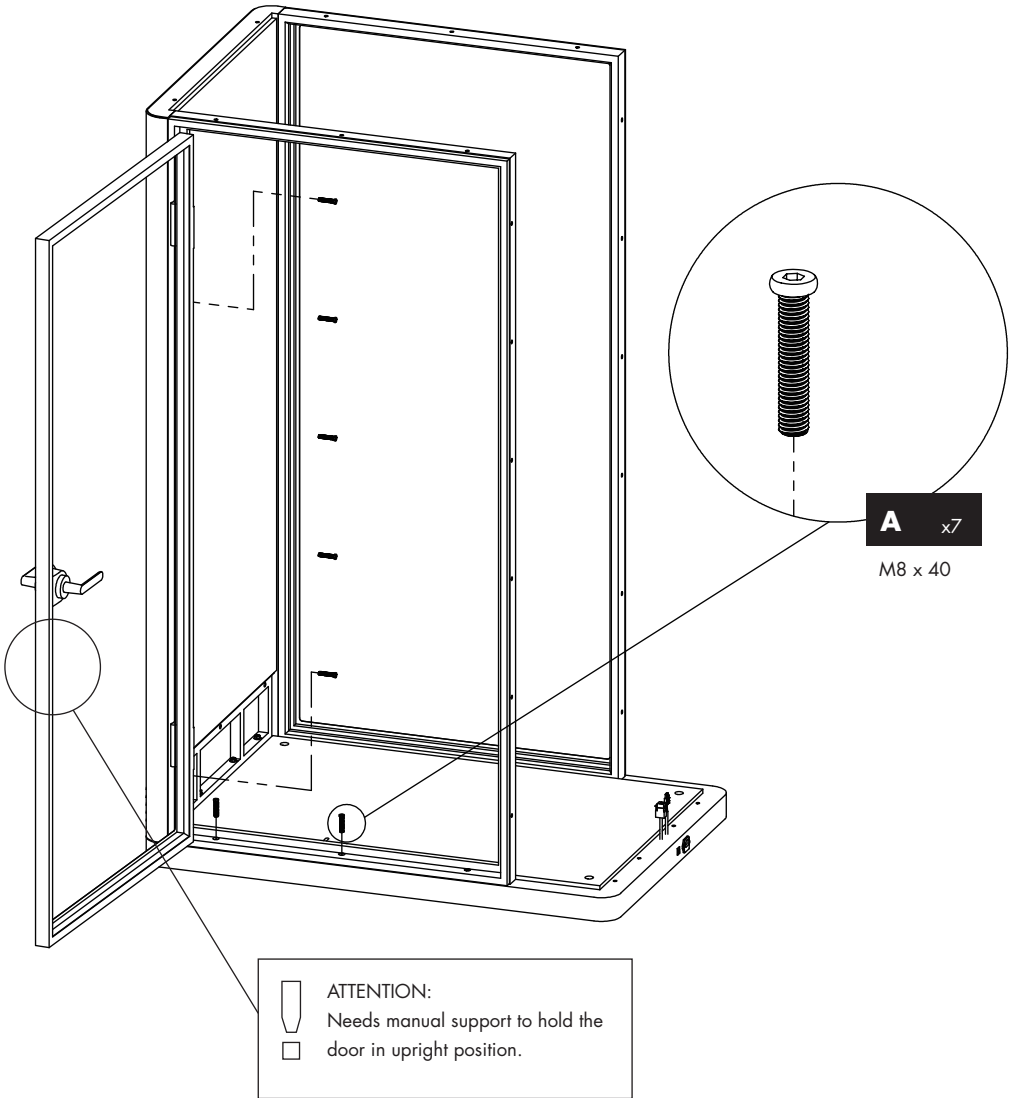
 ATTENTION:  
Needs manual support to hold the  
 door in upright position.

# Step 7.

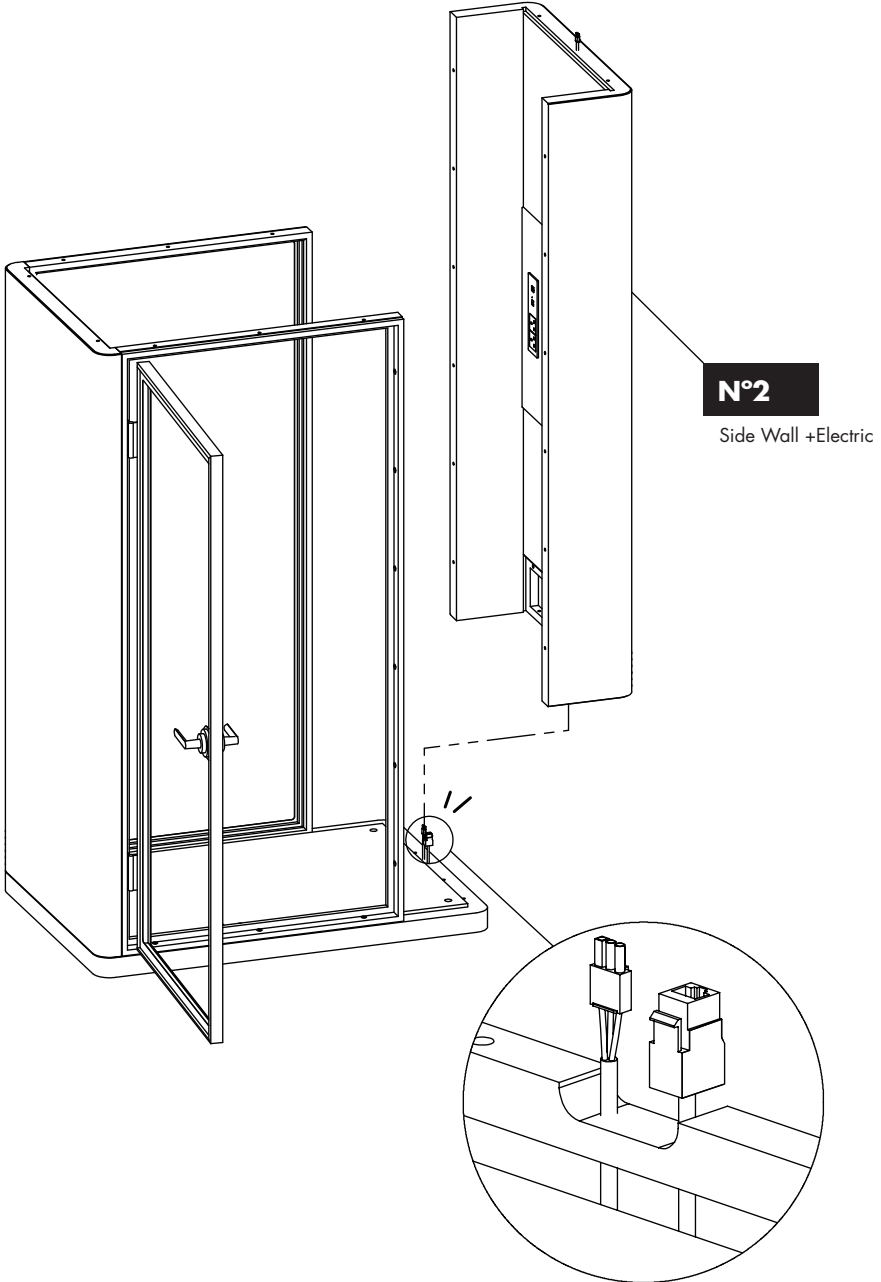




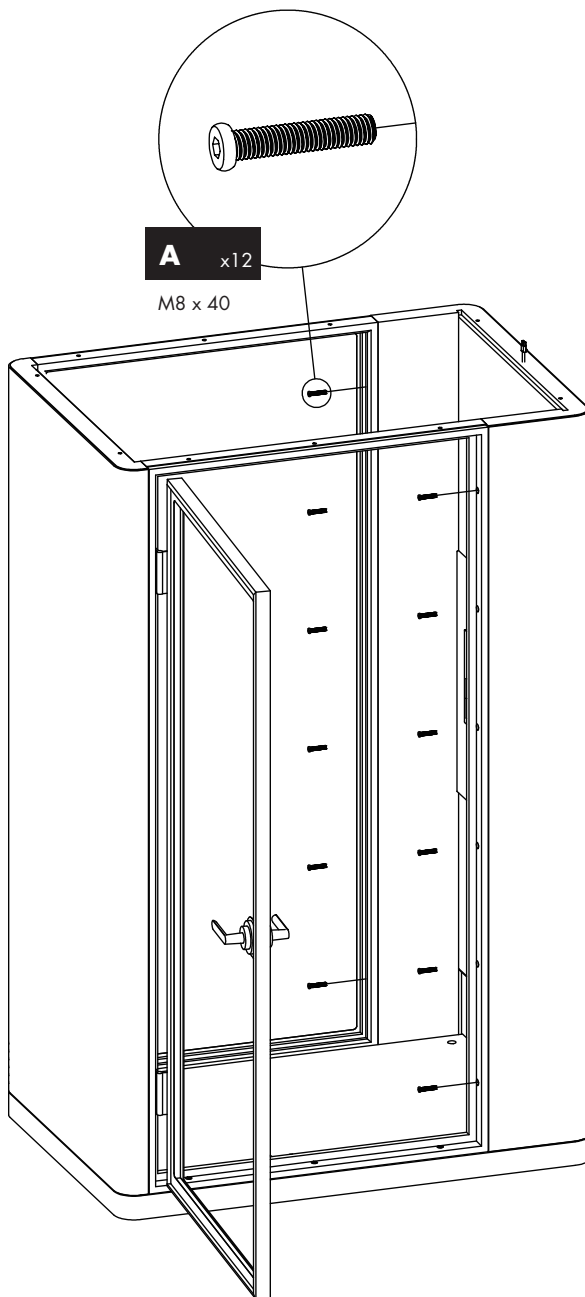
# Step 8.



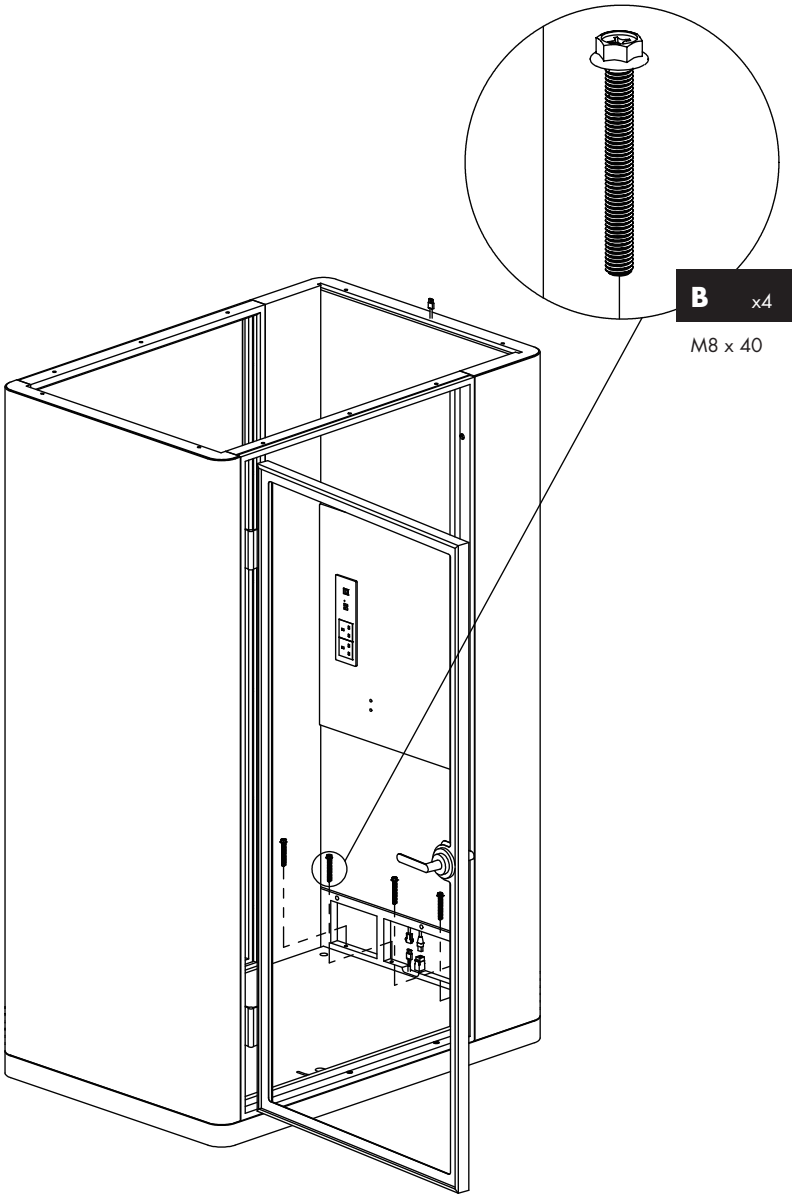
# Step 9.



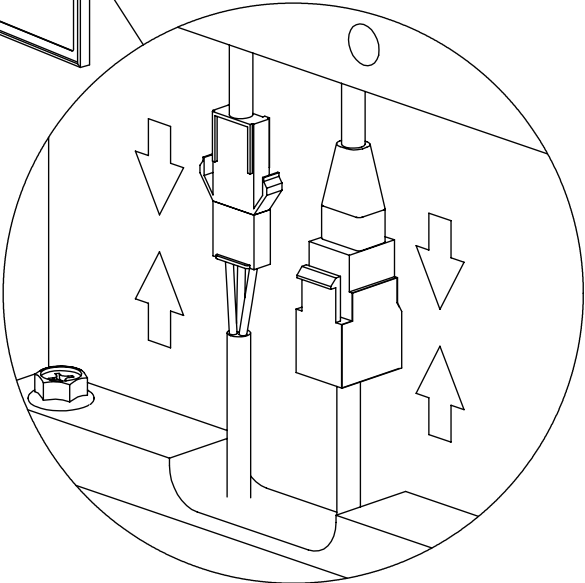
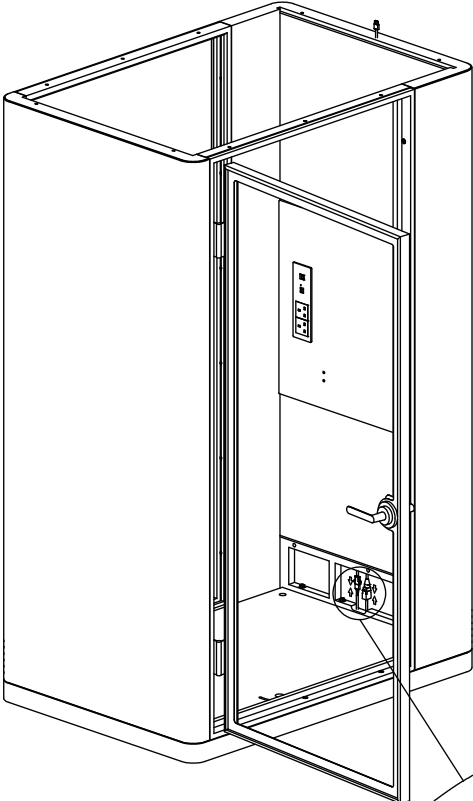
# Step 10.



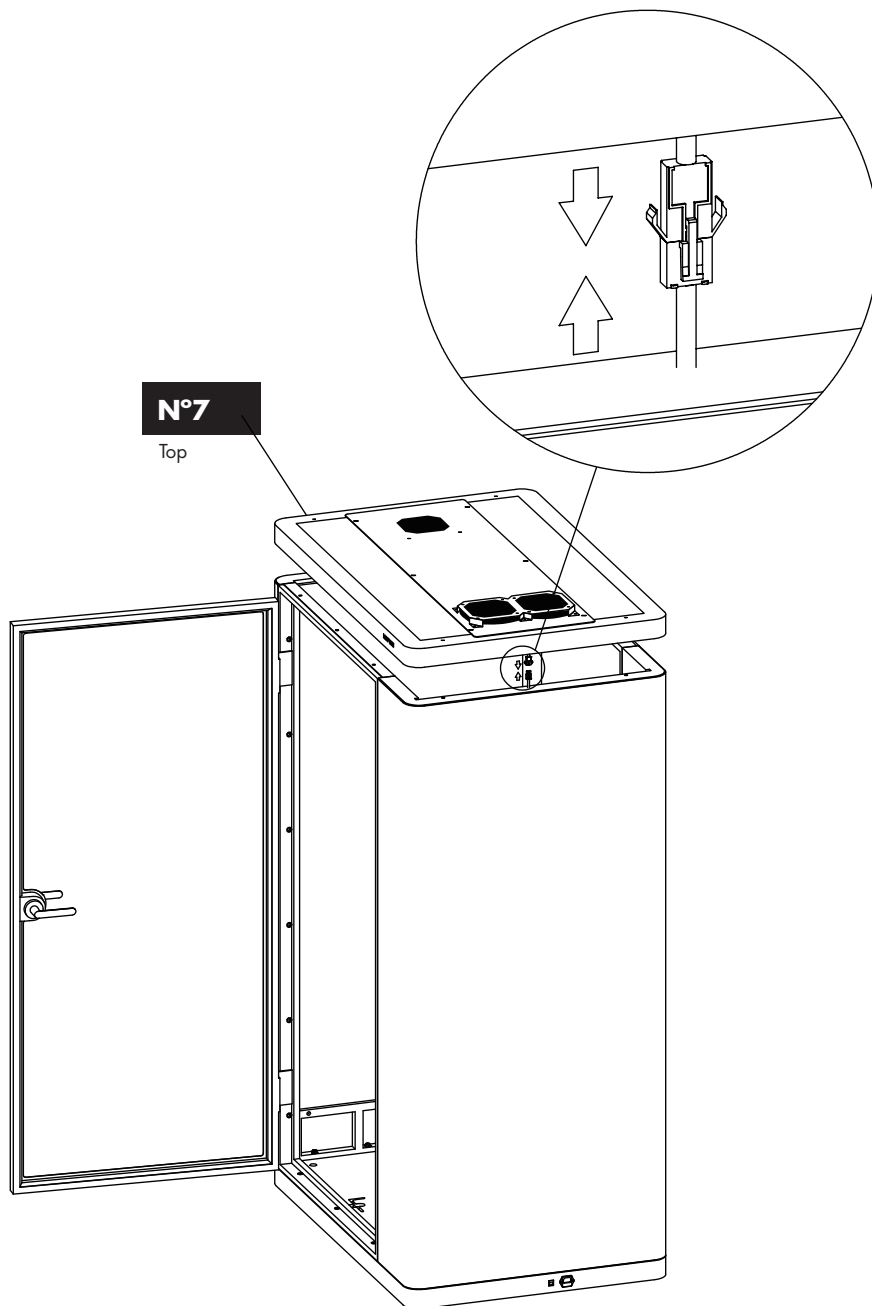
# Step 11.



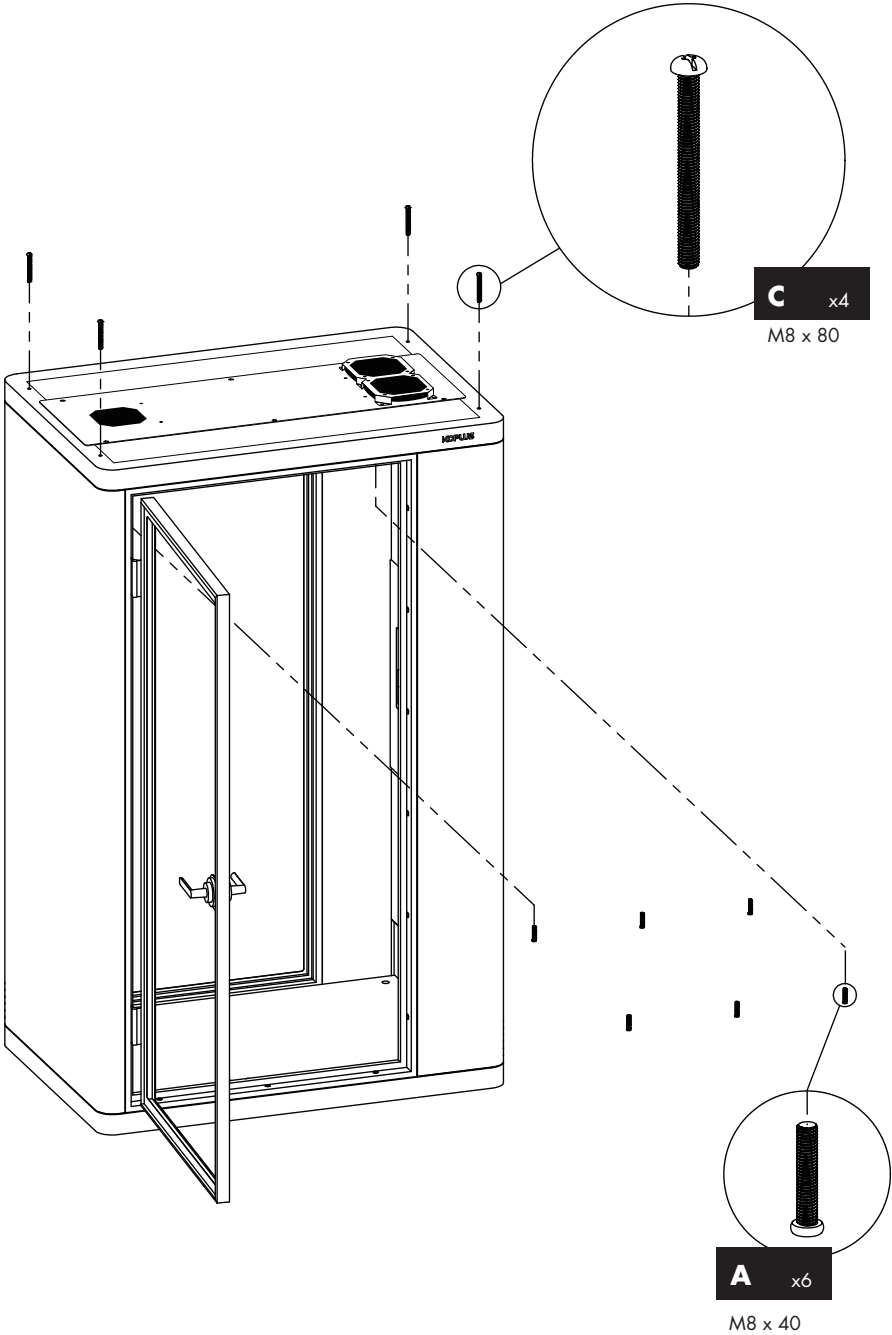
# Step 12.



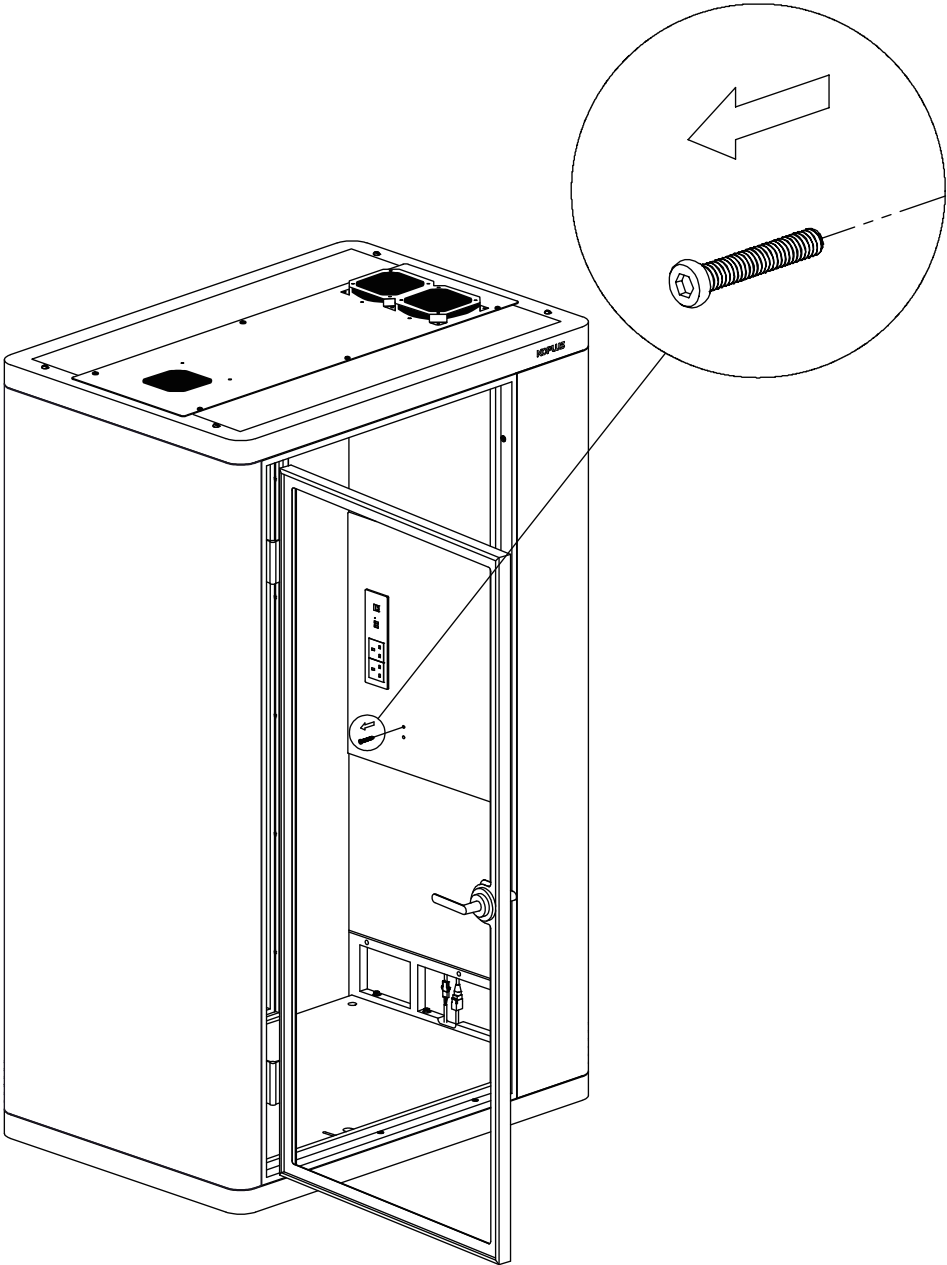
# Step 13.



# Step 14.

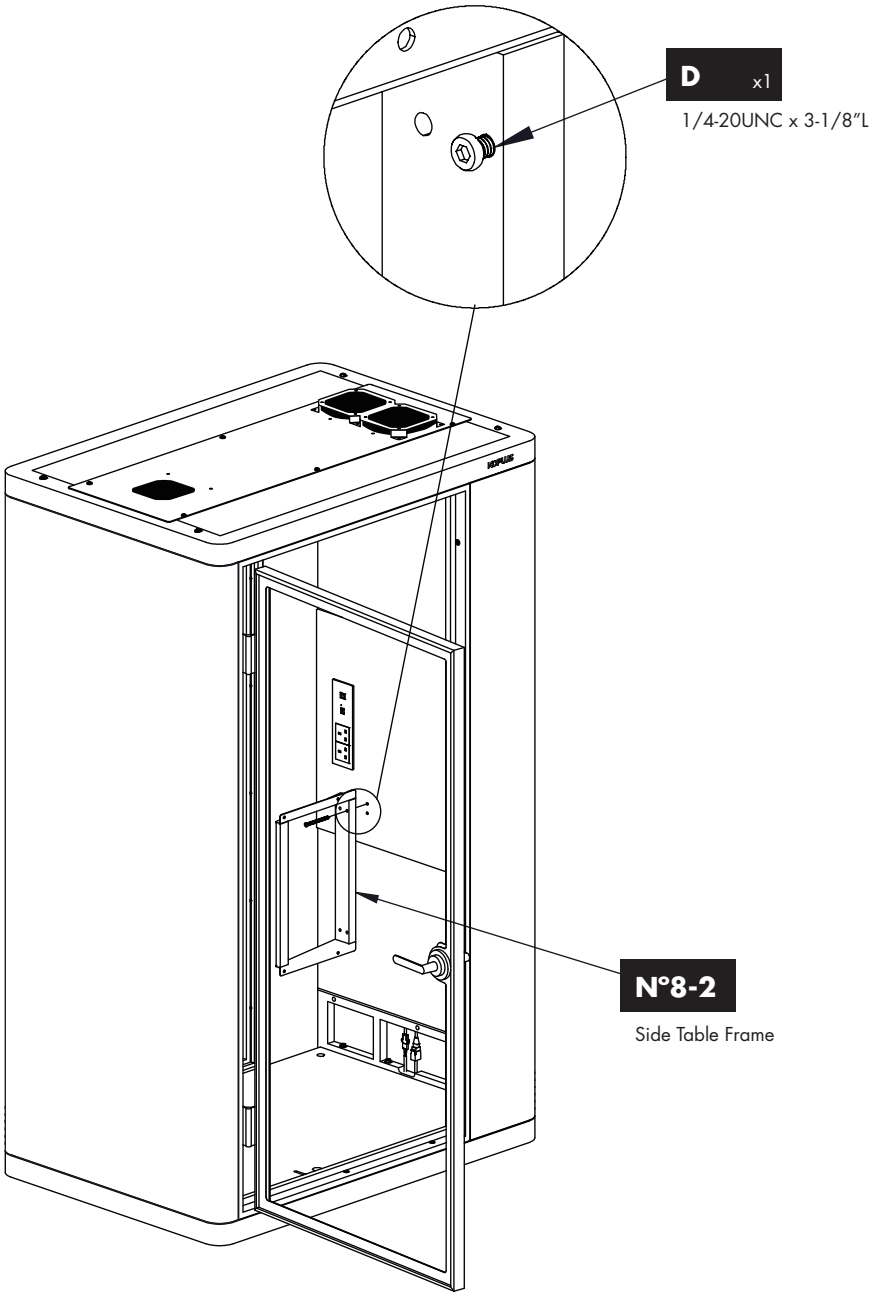


# Step 15.

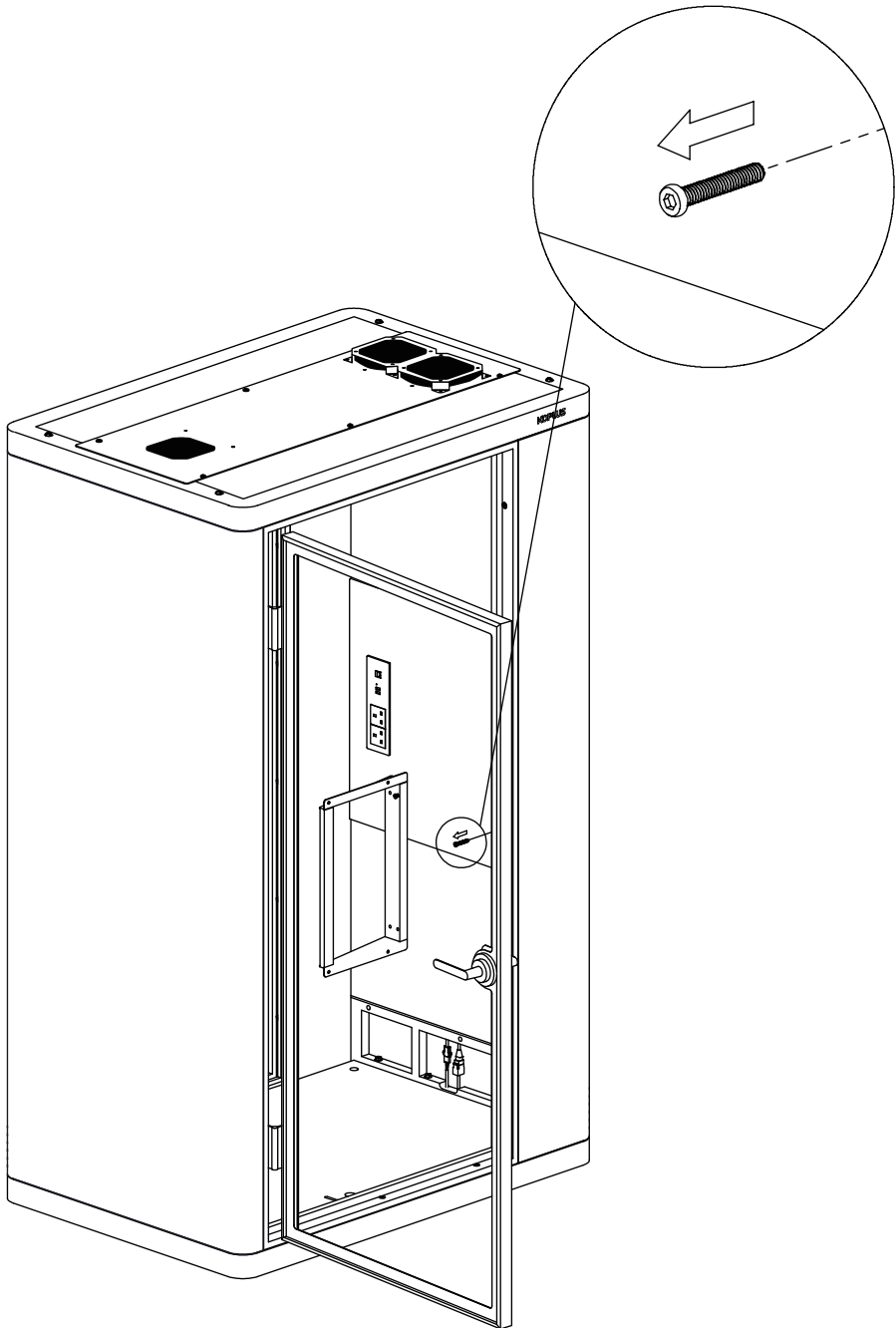




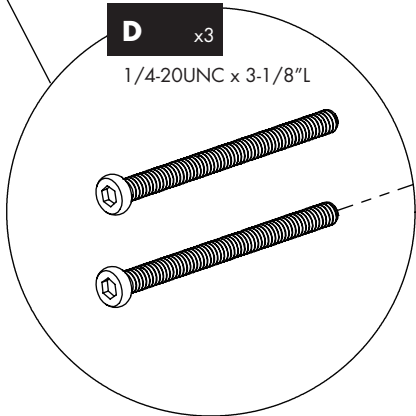
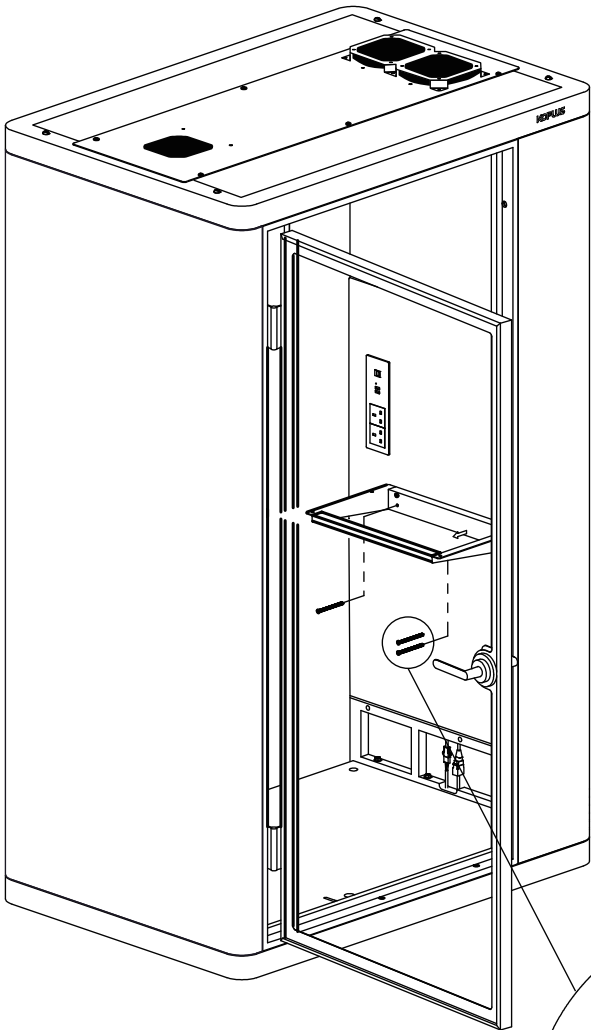
# Step 16.



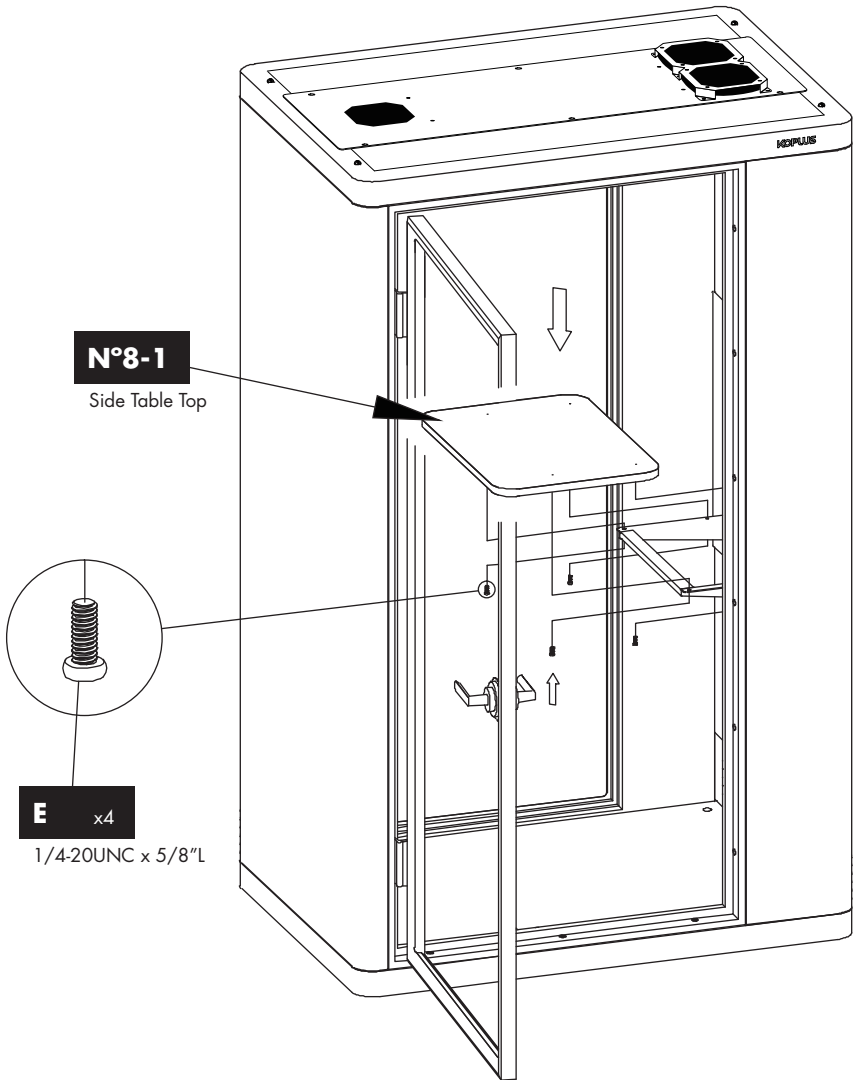
# Step 17.



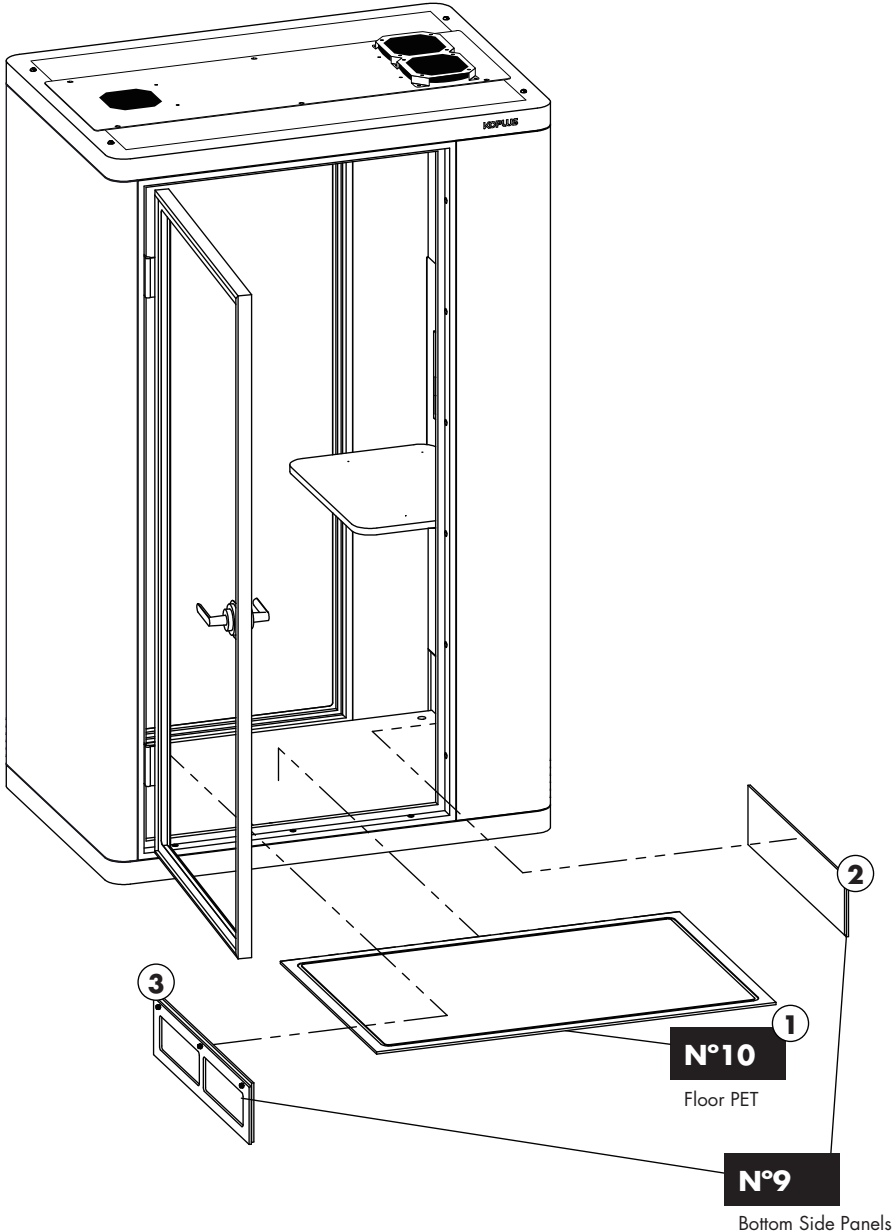
# Step 18.



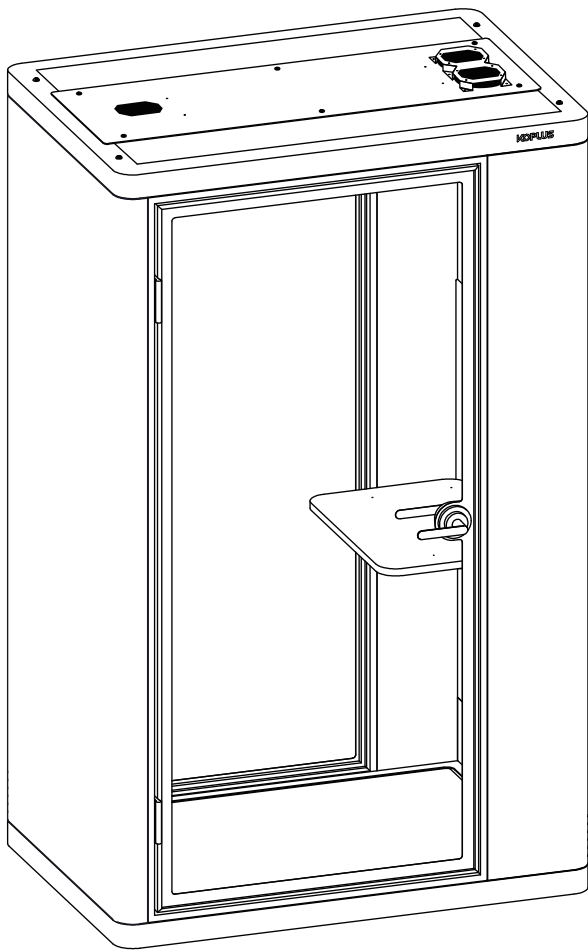
# Step 19.



# Step 20.







**workin' on dreams**