

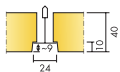
# Ecophon Master™ E

Ecophon Master™ E has a recessed visible grid and a tegular edge design, creating a ceiling with a shadow effect that accentuates each tile and partially conceals the grid system. Suitable for open plan offices or other premises where strict demands are made on good acoustics.

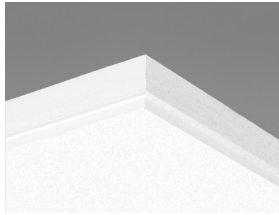


Cracow, Poland

## SYSTEM RANGE



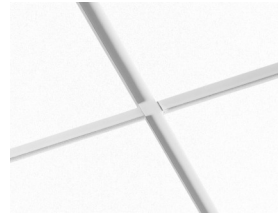
|                 |         |          |           |
|-----------------|---------|----------|-----------|
| Size, mm        | 600x600 | 1200x600 | 1200x1200 |
| Connect T15     | •       | •        |           |
| Connect T24     | •       | •        | •         |
| Thickness (THK) | 40      | 40       | 40        |
| Inst. Diagr.    | M58     | M58      | M567      |



Master E tile



Section of Master E system



Master E system

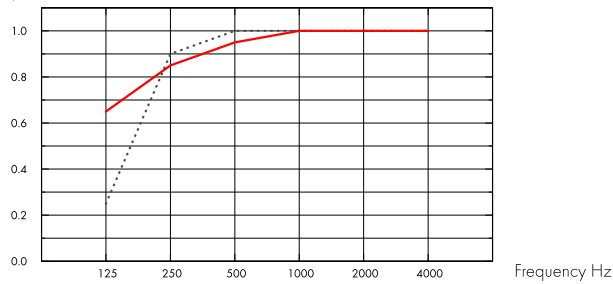
## Acoustic



### Sound Absorption:

Test results according to EN ISO 354. Classification according to EN ISO 11654, and the single value ratings for Noise Reduction Coefficient, NRC and Sound Absorption Average, SAA according to ASTM C 423.

$\alpha_p$ , Practical sound absorption coefficient



.... Master E 40 mm, 60 mm o.d.s.  
 - Master E 40 mm, 200 mm o.d.s.  
 o.d.s = overall depth of system

| THK mm | o.d.s. mm | $\alpha_p$ , Practical sound absorption coefficient |        |        |         |         |         | $\alpha_w$ | Sound absorption class |
|--------|-----------|---|--------|--------|---------|---------|---------|------------|------------------------|
|        |           | 125 Hz  | 250 Hz | 500 Hz | 1000 Hz | 2000 Hz | 4000 Hz |            |                        |
| 40     | 60        | 0.25  | 0.90   | 1.00   | 1.00    | 1.00    | 1.00    | 1.00       | A                      |
| 40     | 200       | 0.65  | 0.85   | 0.95   | 1.00    | 1.00    | 1.00    | 1.00       | A                      |

| THK mm | o.d.s. mm | NRC  | SAA  |
|--------|-----------|------|------|
| 40     | 60        | 1.00 | 0.98 |
| 40     | 200       | 0.95 | 0.97 |
| 40     | 400       | 0.90 | 0.89 |

| THK mm | AC[1.5]                                    |  | $D_{nfw}$  |  | CAC dB  |  |
|--------|--|--|--|--|---|--|
|        | Articulation Class, ASTM E1111, ASTM E1110 |  | Weighted normalized flanking level difference, ISO 10848-2 |  | Ceiling Attenuation Class, ASTM 1414, ASTM E413 |  |
| 40     | 200  |  | 29   |  | 31  |  |

## Indoor Air Quality



| Certificate / Label          | Plant |          |
|------------------------------|-------|----------|
| Eurofins Indoor Air Comfort® | IAC   | IAC Gold |
| French VOC                   | A     | A+       |
| Finnish M1                   | •     | •        |





## Environmental footprint

|                | kg CO <sub>2</sub> equiv/m <sup>2</sup> |
|----------------|---|
| Master E       | 6,10                                    |
| Master E/Plant | 4,15                                    |

Life-cycle stages A1 to C4 from EPD, in conformity with ISO 14025 / EN 15804



## Circularity

|  |                  |
|--|------------------|
| Minimum post-consumer recycled content | 61%              |
| Recyclability                          | Fully recyclable |



## Fire safety

| Country | Class      |          |
|---------|------------|----------|
| Europe  | EN 13501-1 | A2-s1,d0 |

The glass wool core of the tiles is tested and classified as non-combustible according to EN ISO 1182.



## Humidity Resistance

| Product  |                          |
|----------|--------------------------|
| Standard | Class C, RH 95% and 30°C |
| Plant    | Class A, RH 70% and 25°C |

According to EN 13964:2014



## Visual appearance

White Frost, nearest NCS colour sample S 0500-N, 85% light reflectance. Gloss < 1.



## Cleanability

Daily dusting and vacuum cleaning. Weekly wet wiping.



## Accessibility

The tiles are easily demountable. Minimum demounting depth according to installation diagrams.



## Installation

Installed according to installation diagrams, installation guides and drawing aid. For information regarding minimum overall depth of system see quantity specification.



## System weight

The weight of the system (including suspension grid) should be approximately 5 kg/m<sup>2</sup>.



## Mechanical properties

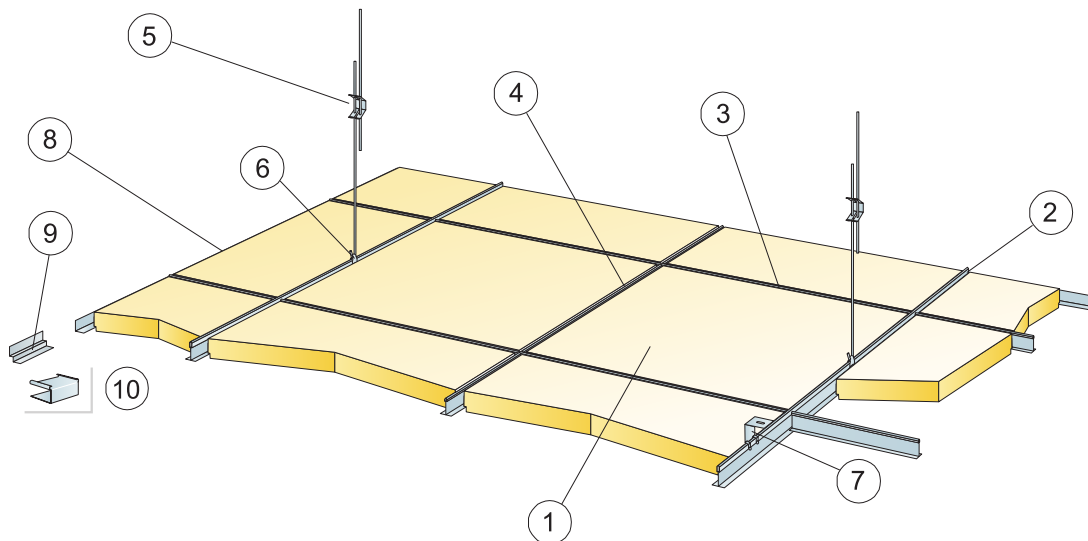
See table about Max live load and Min load bearing capacity and Functional demands, Mechanical properties at [www.ecophon.com](http://www.ecophon.com).



## CE

Ecophon ceiling systems are CE marked according to the European harmonized standard EN13964:2014. CE marked construction products are covered by a Declaration of Performance (DOP) which enables customers and users to easily compare performance of products available on the European market.

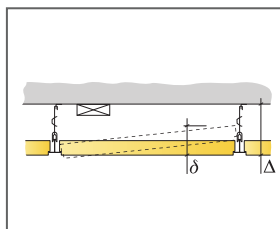
INSTALLATION DIAGRAM (M58) FOR ECOPHON MASTER E



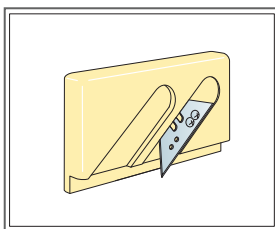
© Ecophon Group

QUANTITY SPECIFICATION (EXCL. WASTAGE)

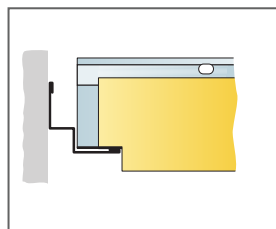
|  | Size, mm            |                     |
|--|---------------------|---------------------|
|  | 600x600             | 1200x600            |
| 1 Master E   | 2,8/m <sup>2</sup>  | 1,4/m <sup>2</sup>  |
| 2 Connect T24 or T15 Main runner, installed at 1200 mm centres (max. distance from wall 600 mm, can be extended up to 1200 mm if no live load between Main runner and wall). | 0,9m/m <sup>2</sup> | 0,9m/m <sup>2</sup> |
| 3 Connect T24 or T15 Cross tee, L=1200 mm  | 1,7m/m <sup>2</sup> | 1,7m/m <sup>2</sup> |
| 4 Connect T24 or T15 Cross tee, L=600 mm   | 0,9m/m <sup>2</sup> | -                   |
| 5 Connect Adjustable Hanger, installed at 1200 mm centres (max. distance from wall 600 mm)   | 0,7/m <sup>2</sup>  | 0,7/m <sup>2</sup>  |
| 6 Connect Hanger Clip (not to be used in swimming hall environments)   | 0,7/m <sup>2</sup>  | 0,7/m <sup>2</sup>  |
| 7 For direct installation: Connect Direct Bracket, installed at 1200 mm centres  | 0,7/m <sup>2</sup>  | 0,7/m <sup>2</sup>  |
| 8 Connect Angle trim, fixed at 300 mm centres  | as required         | as required         |
| 9 Connect Shadow-line trim, fixed at 300 mm centres  | as required         | as required         |
| 10 Connect E-plug (for Shadow-line trim)   | as required         | as required         |
| Δ Min. overall depth of system, with adjustable hanger: 110 mm, with direct bracket: 60 mm   | -                   | -                   |
| δ Min. demounting depth: 170 mm  | -                   | -                   |



See Quantity specification



Cutting tool E

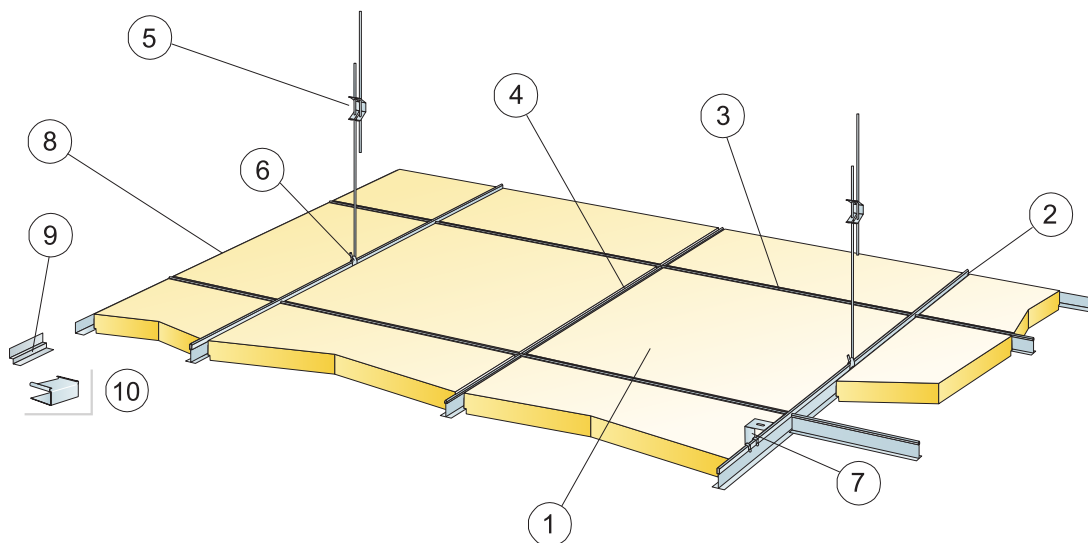


Regular rebate with shadow-line trim.

| Size, mm    | Max live load (N) | Min load bearing capacity (N) |
|-------------|-------------------|-------------------------------|
| 600x600x40  | 40                | 160                           |
| 1200x600x40 | 40                | 160                           |

Live load/load bearing capacity

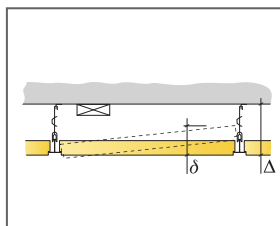
INSTALLATION DIAGRAM (M58) FOR ECOPHON MASTER E



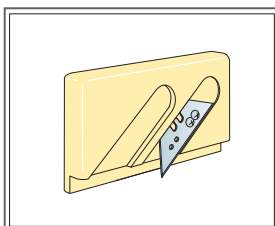
© Ecophon Group

QUANTITY SPECIFICATION (EXCL. WASTAGE)

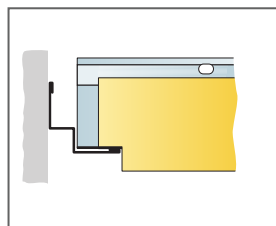
|   | Size, mm            |
|---|---------------------|
|   | 1200x1200           |
| 1 Master E  | 0,7/m <sup>2</sup>  |
| 2 Connect T24 Main runner, installed at 1200 mm centres (max. distance from wall 600 mm, can be extended up to 1200 mm if no live load between Main runner and wall). | 0,9m/m <sup>2</sup> |
| 3 Connect T24 Cross tee, L=1200 mm, installed at 600 mm centres   | 0,9m/m <sup>2</sup> |
| 4 Connect T24 Cross tee, L=600 mm   | -                   |
| 5 Connect Adjustable Hanger, installed at 1200 mm centres (max. distance from wall 600 mm)  | 0,7/m <sup>2</sup>  |
| 6 Connect Hanger Clip (not to be used in swimming hall environments)  | 0,7/m <sup>2</sup>  |
| 7 For direct installation: Connect Direct Bracket, installed at 1200 mm centres   | 0,7/m <sup>2</sup>  |
| 8 Connect Angle trim, fixed at 300 mm centres   | as required         |
| 9 Connect Shadow-line trim, fixed at 300 mm centres   | as required         |
| 10 Connect E-plug (for Shadow-line trim)  | as required         |
| Δ Min. overall depth of system, with adjustable hanger: 110 mm, with direct bracket: 60 mm  | -                   |
| δ Min. demounting depth: 170 mm   | -                   |



See Quantity specification



Cutting tool E



Regular rebate with shadow-line trim.

| Size, mm     | Max live load (N) | Min load bearing capacity (N) |
|--------------|-------------------|-------------------------------|
| 1200x1200x40 | 40                | 160                           |

Live load/load bearing capacity