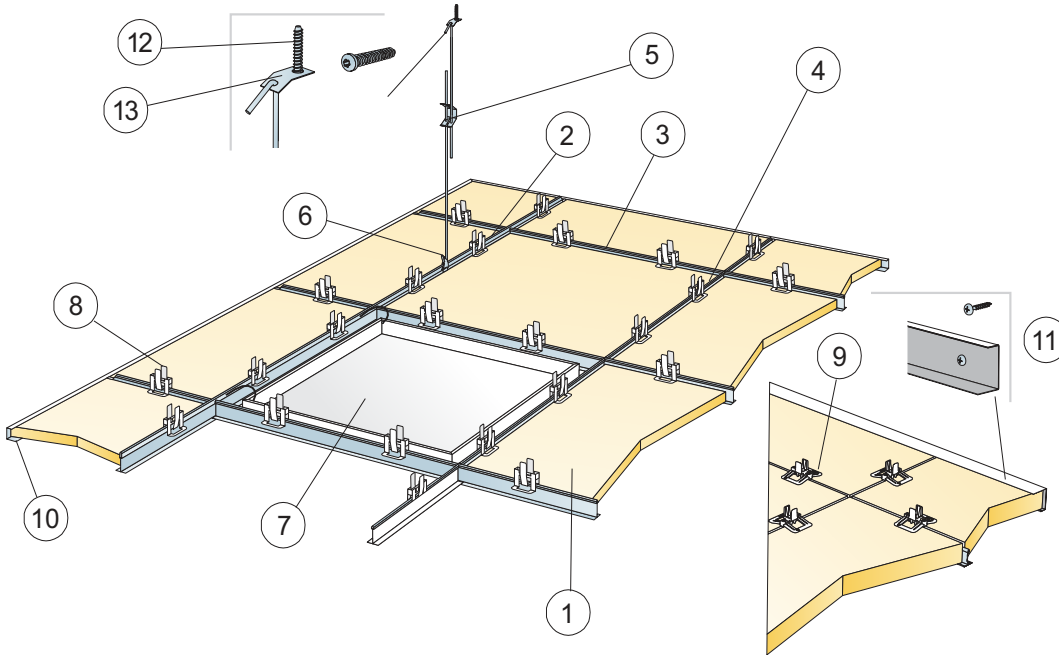
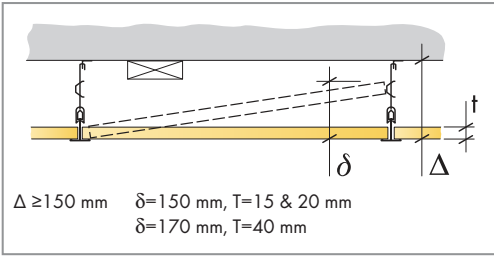


Hygiene Edge A system

600x600, 1200x600,
625x625, 1250x625



1. Ecophon Hygiene Edge A panel
600x600/1200x600
625x625/1250x625

2. Connect T24 Main runner

3. Connect T24 Cross tee, L=1200/1250

4. Connect T24 Cross tee, L=600/625

5. Connect Adjustable hanger

6. Connect Hanger clip,
(not used in C4 environments)

7. Connect Inspection hatch C3
(for C3 environments)

8. Connect Hygiene clip 20
(for 20 mm tiles)

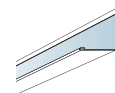
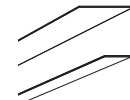
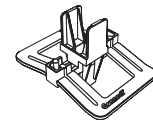
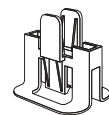
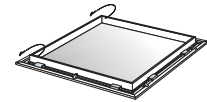
9. Connect Hygiene clip 40
(for 40 mm tiles)

10. Connect Channel trim
(for 20 mm tiles)

11. Connect Channel trim
(for 40 mm tiles)

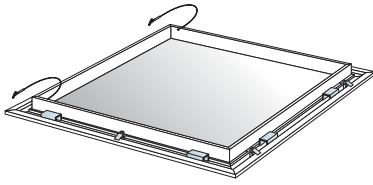
Alt. Connect Angle trim
(for 15 mm tiles)

Alt. Connect Universal clip
(for 15 mm tiles)

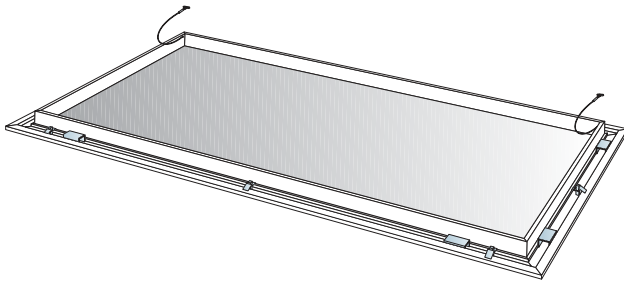




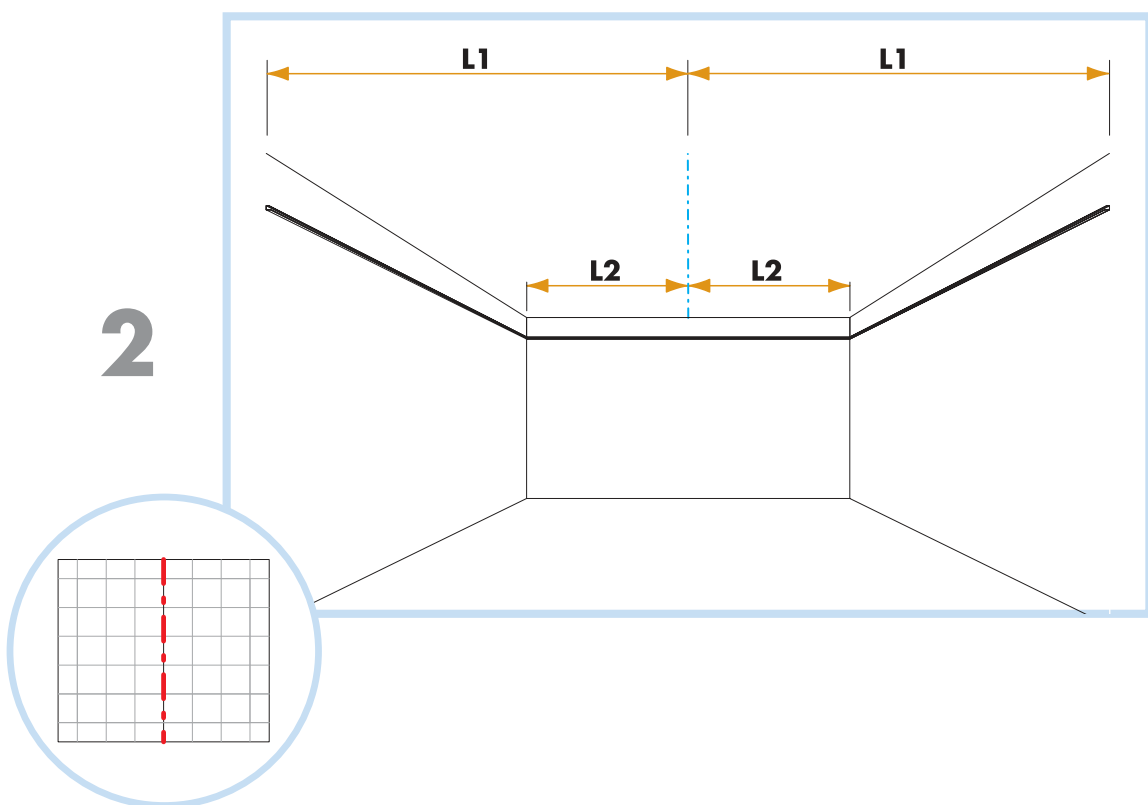
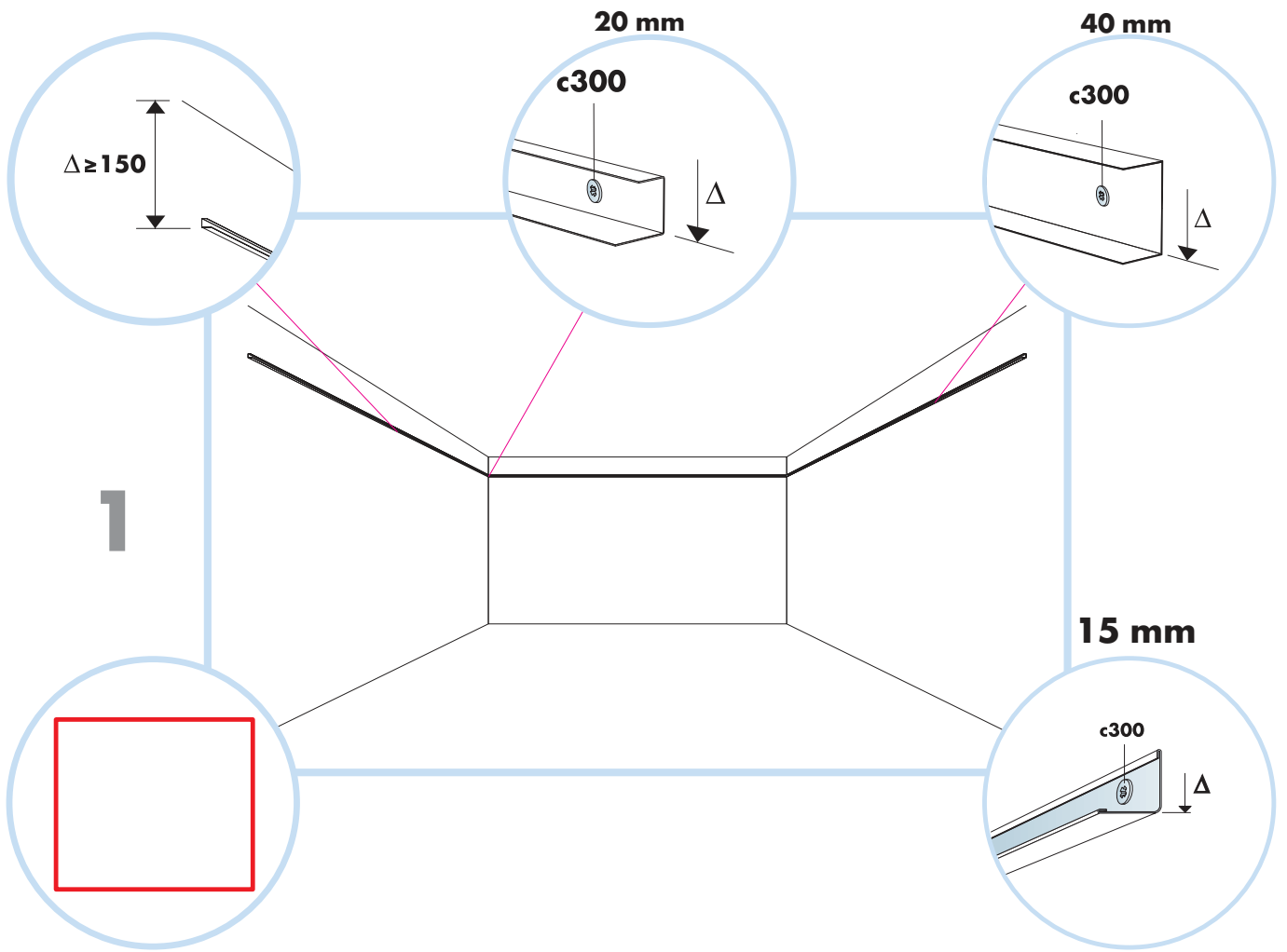
Connect Inspection hatch C3 (600x600)



Connect Inspection hatch C3 (1200x600)



Ecophon
SAINT-GOBAIN



600/625

A

A

3

$A \geq 300$

4

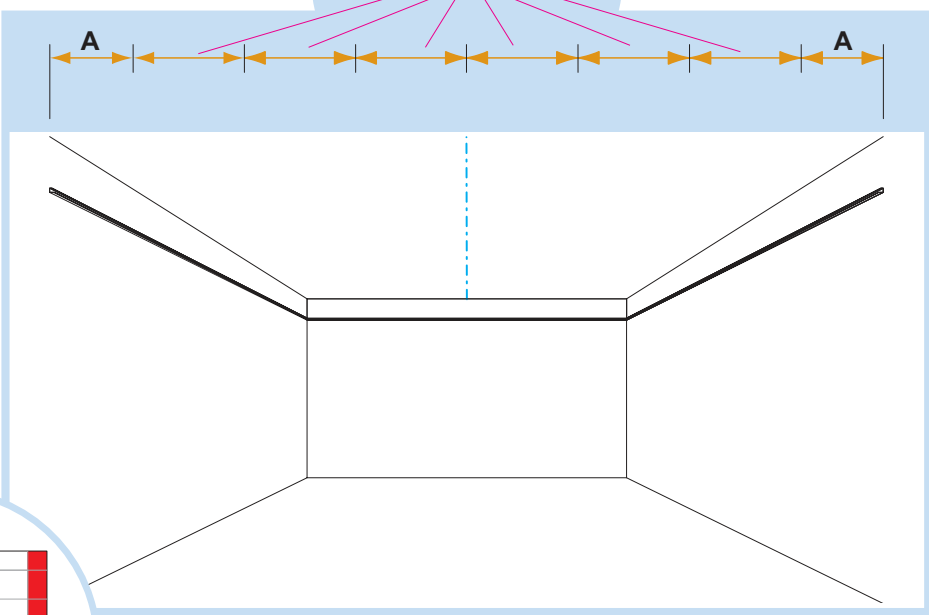
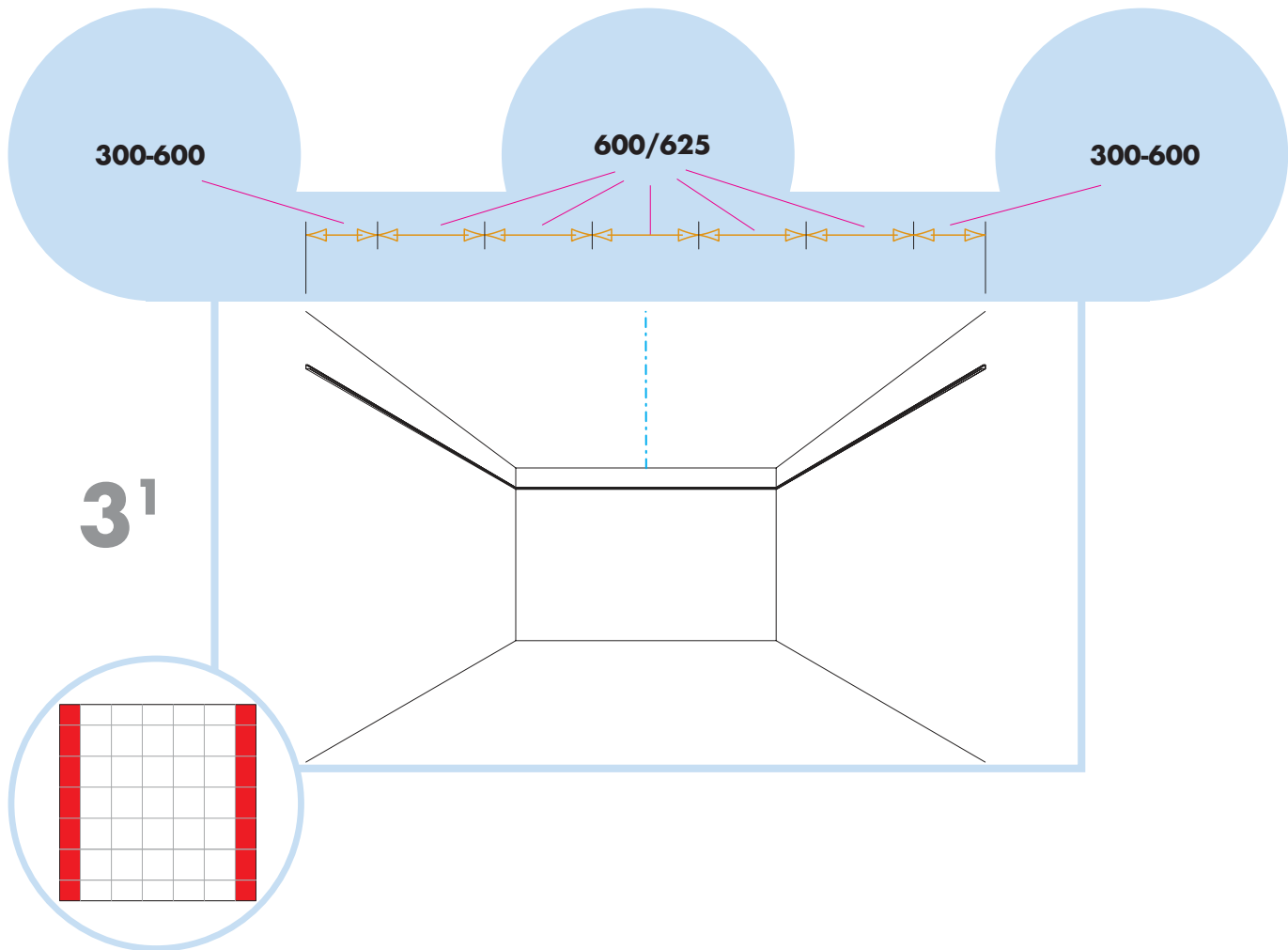
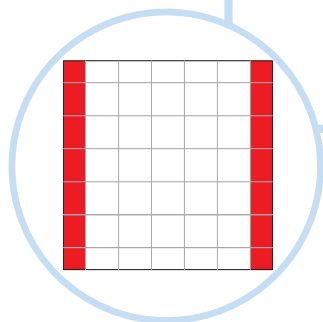
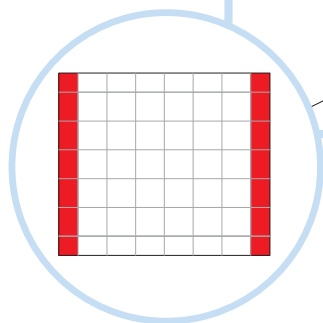
$A < 300$

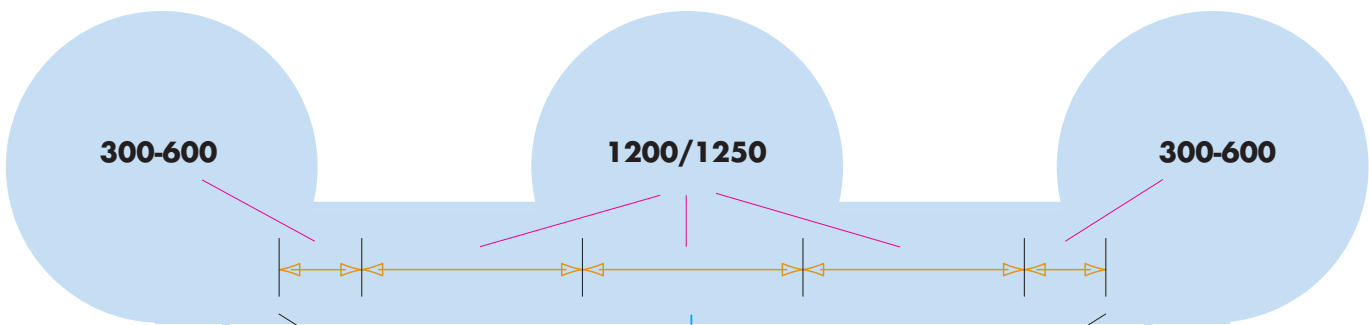
300-600

600/625

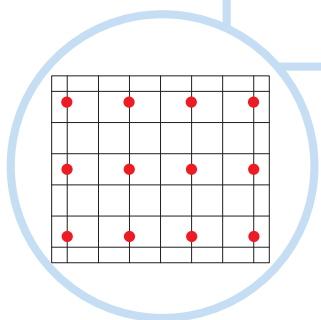
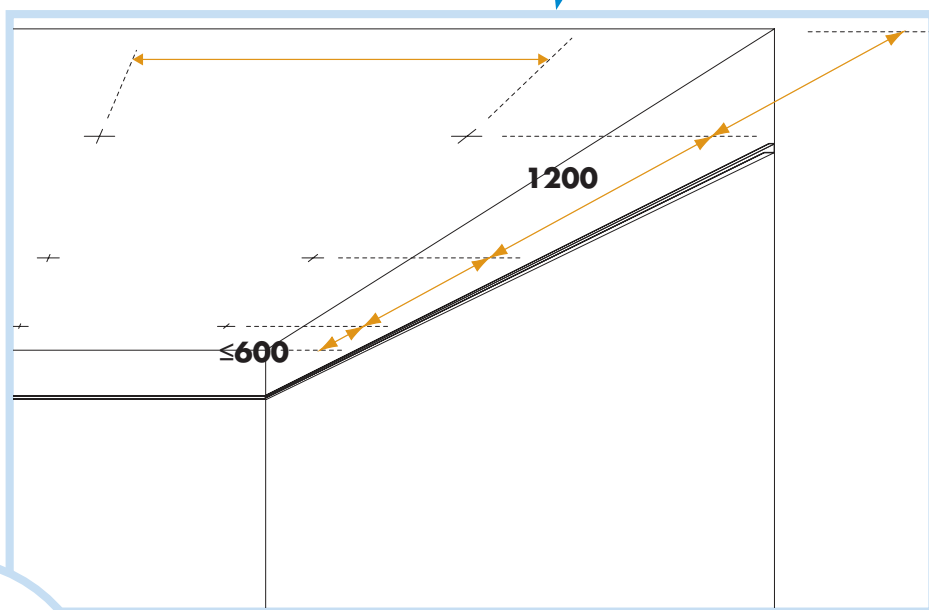
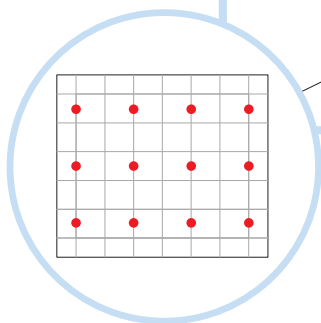
300-600

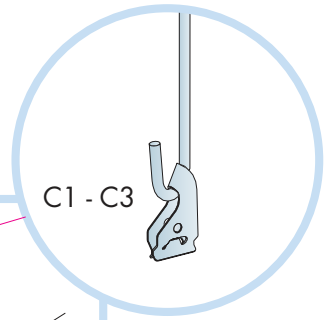
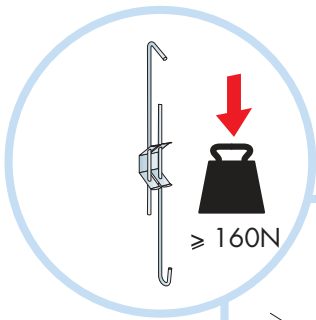
3¹



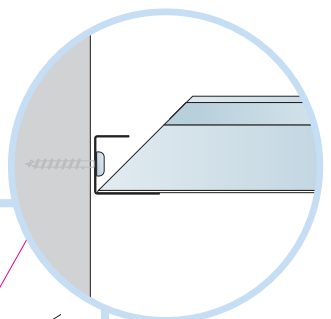
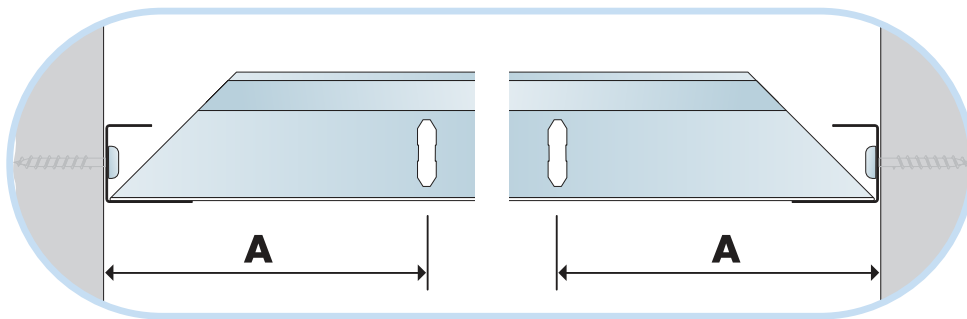
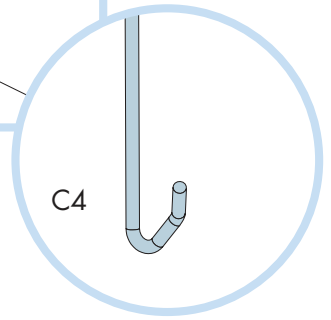
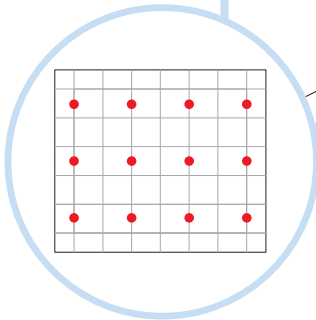
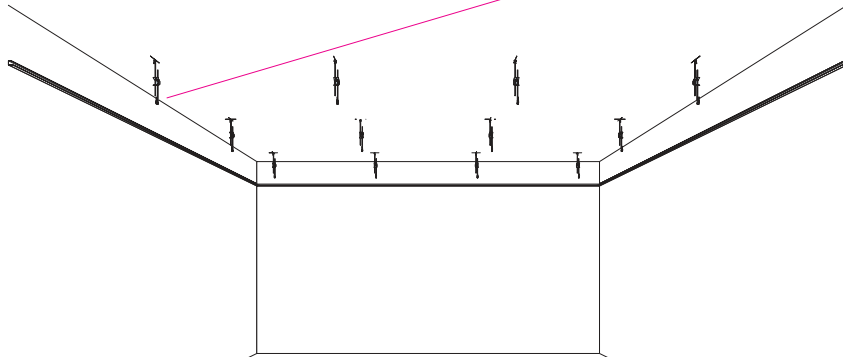


4

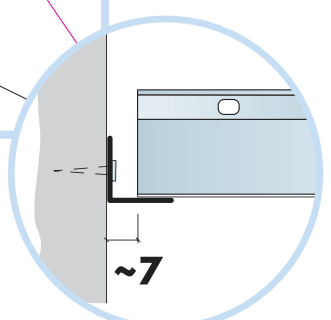
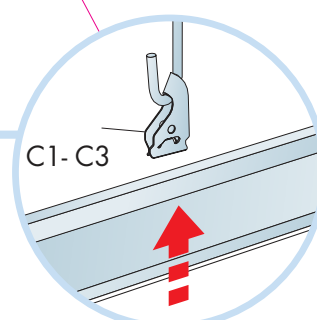
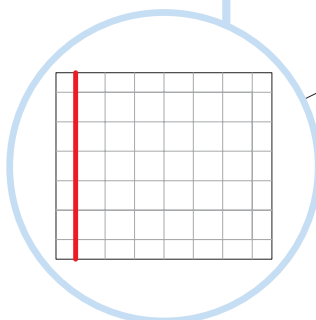
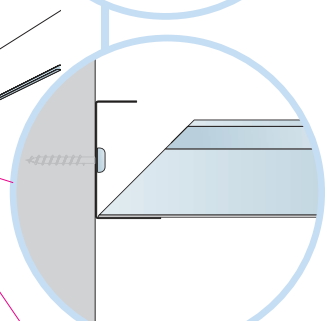
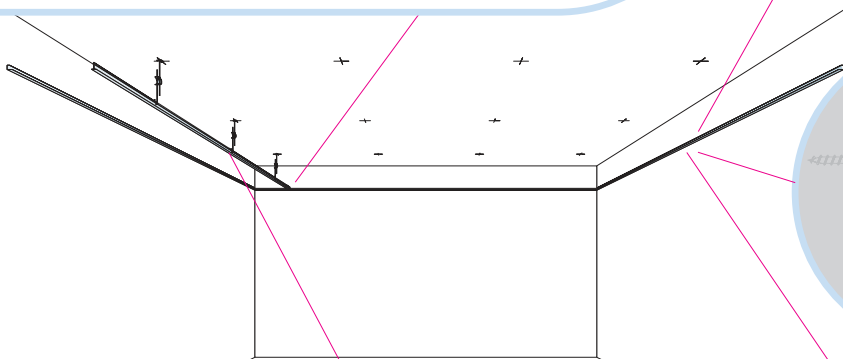


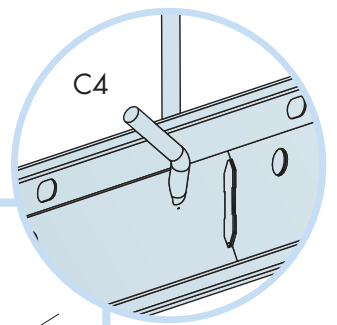
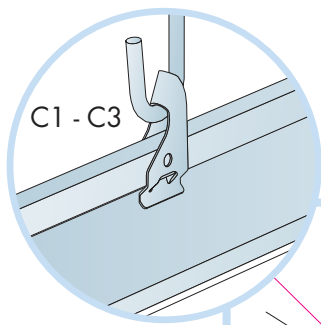


5

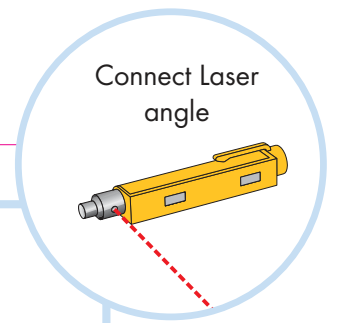
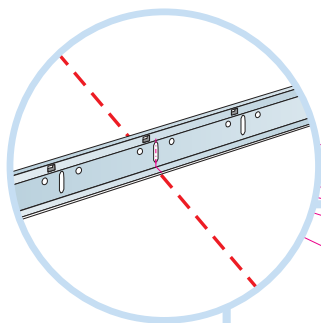
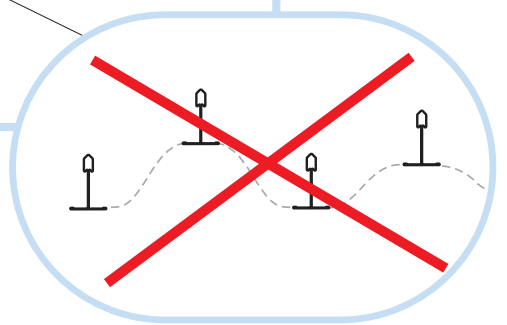
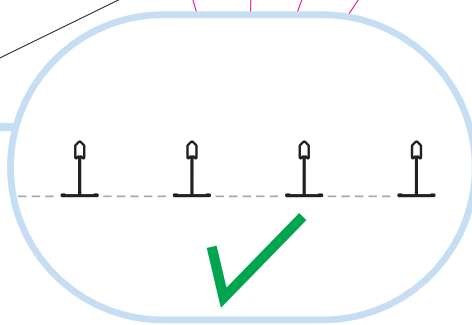
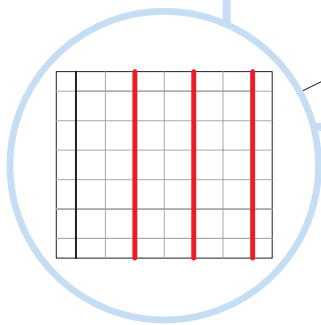
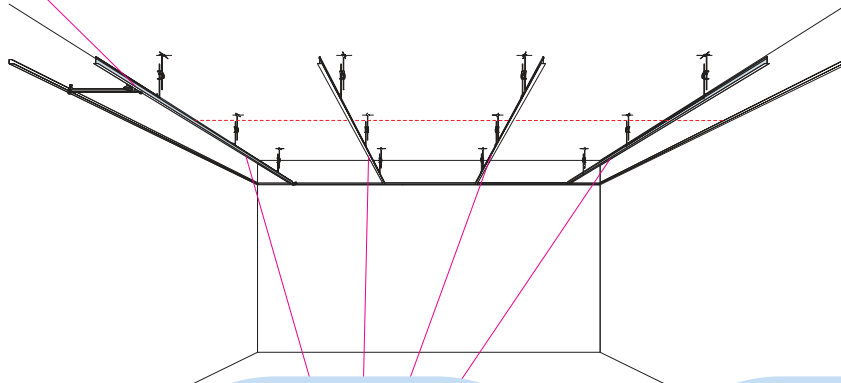


6

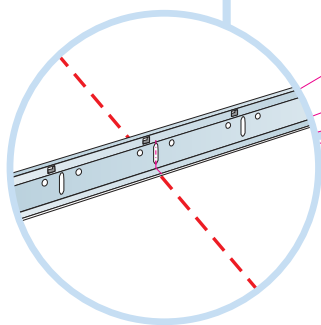
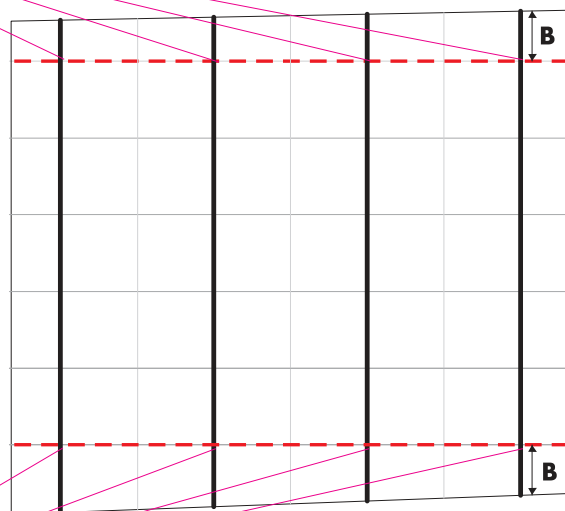


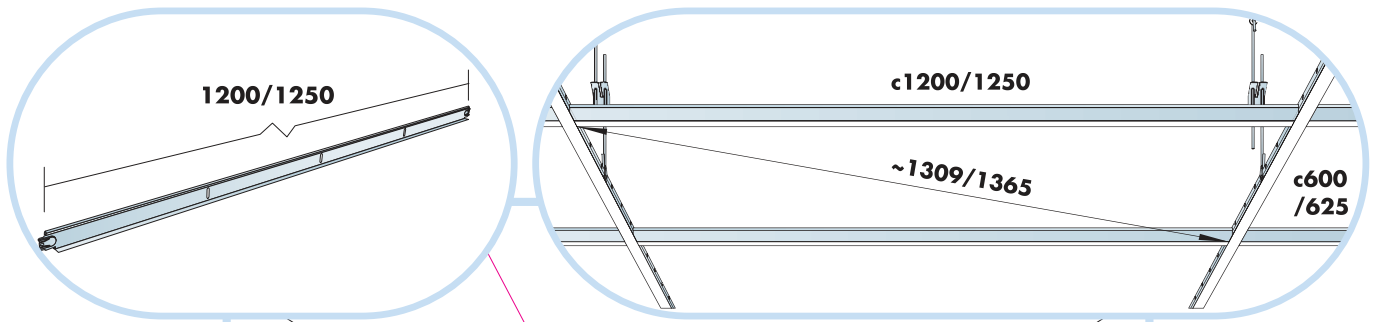


7

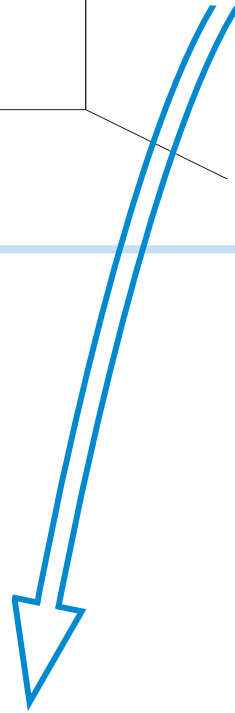
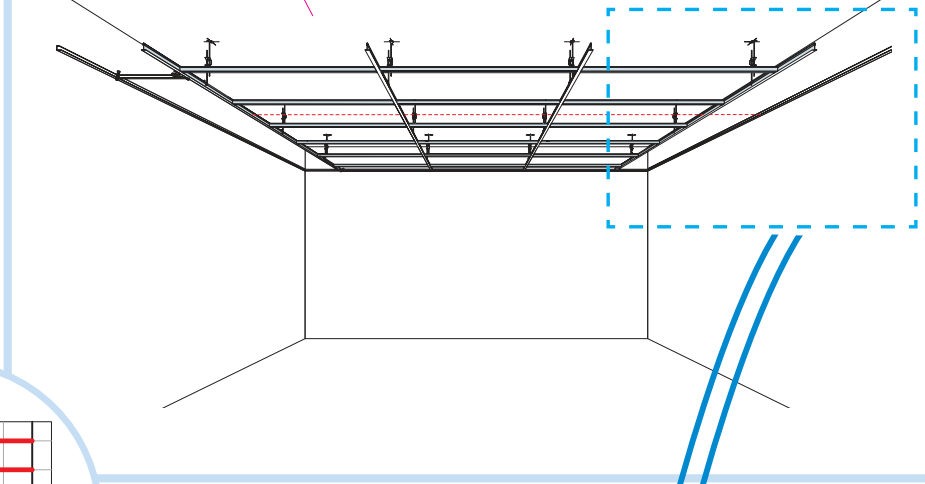
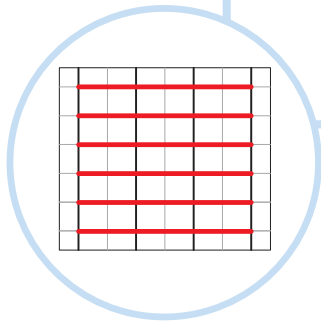


7₁

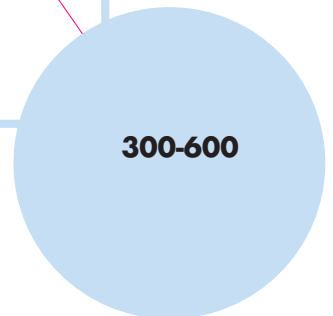
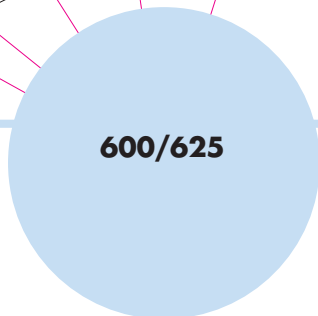
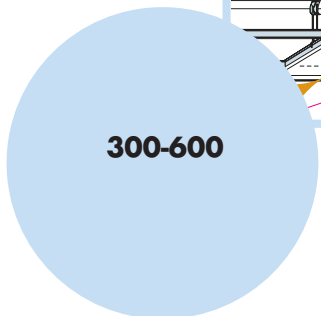
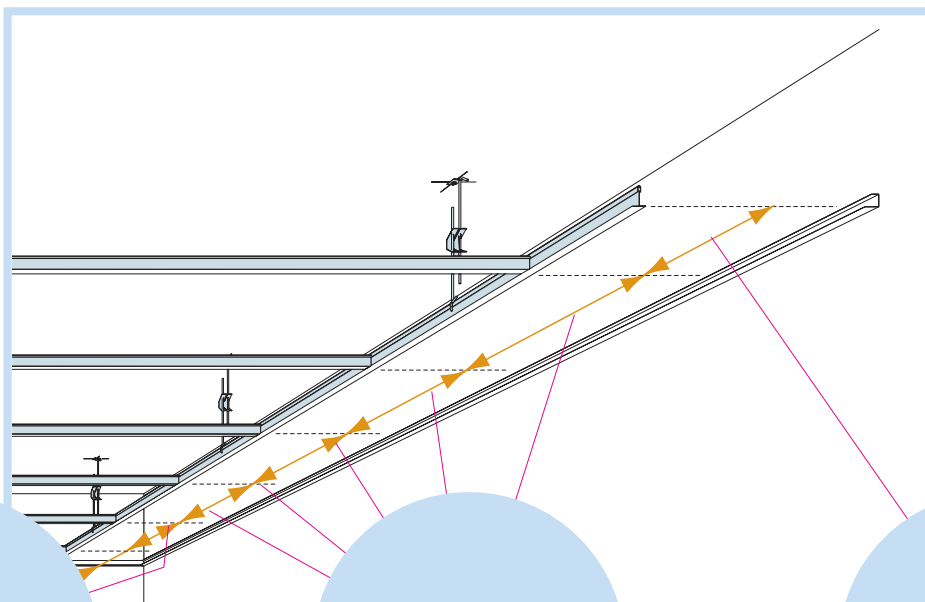


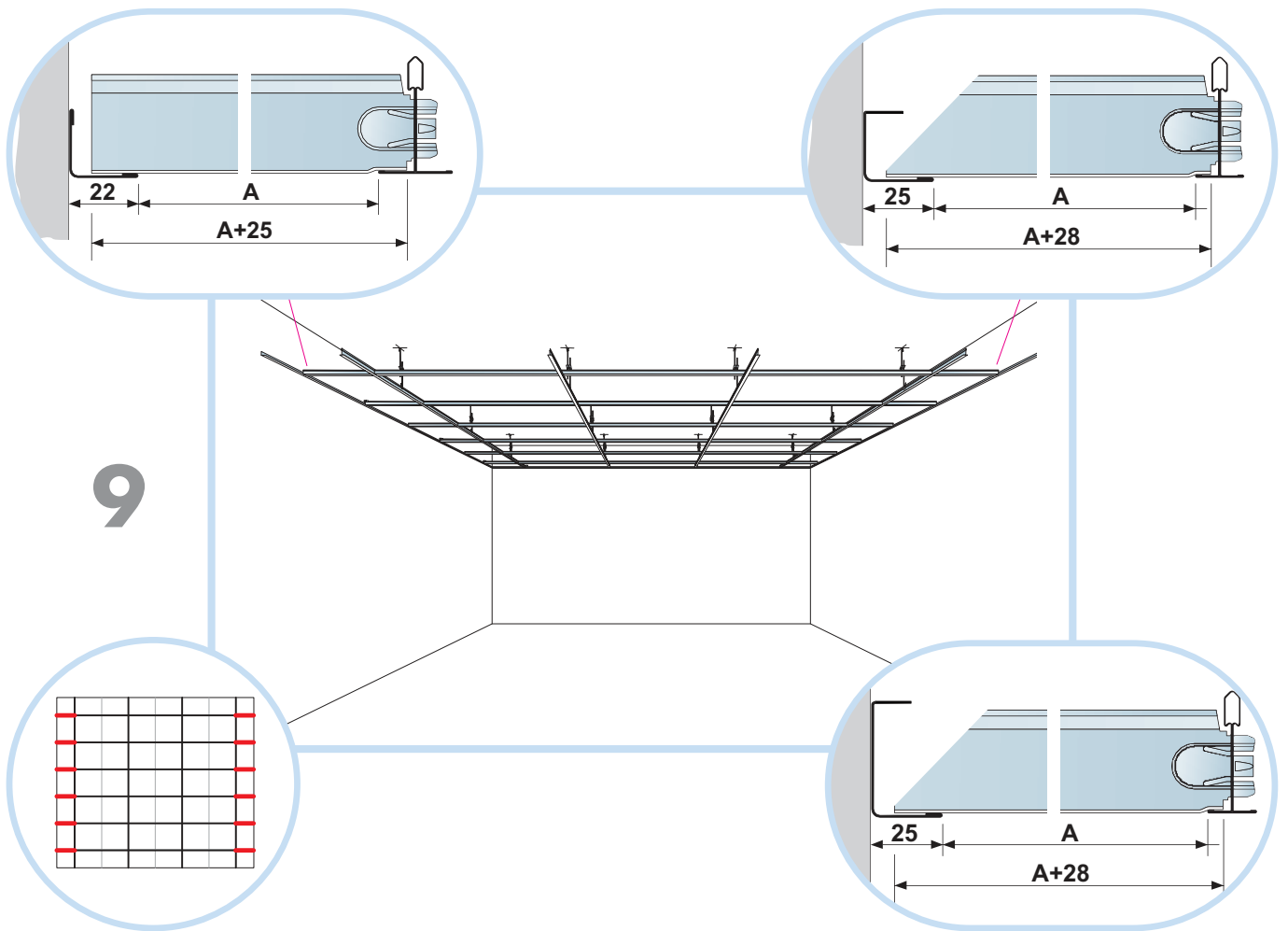


8

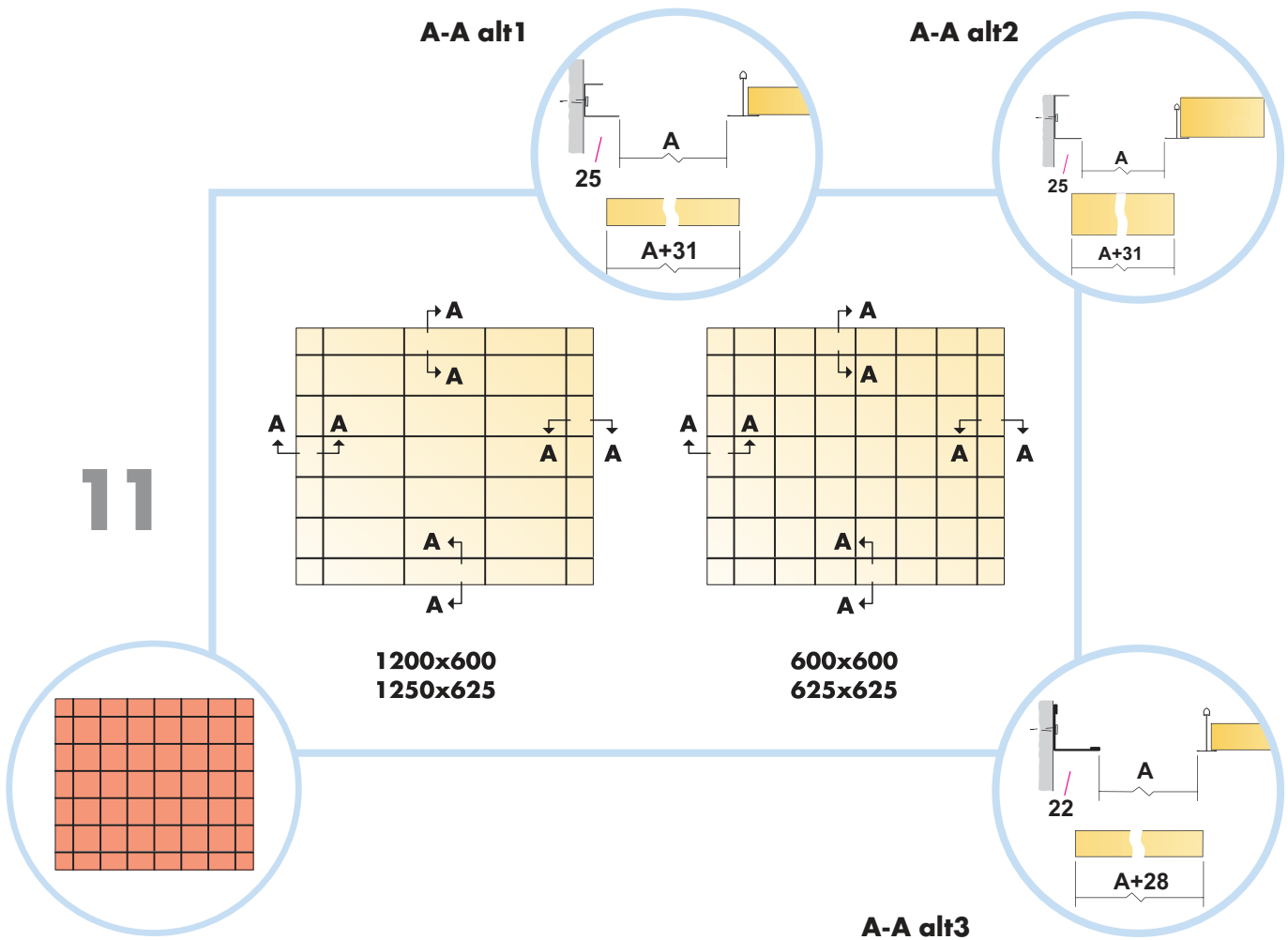
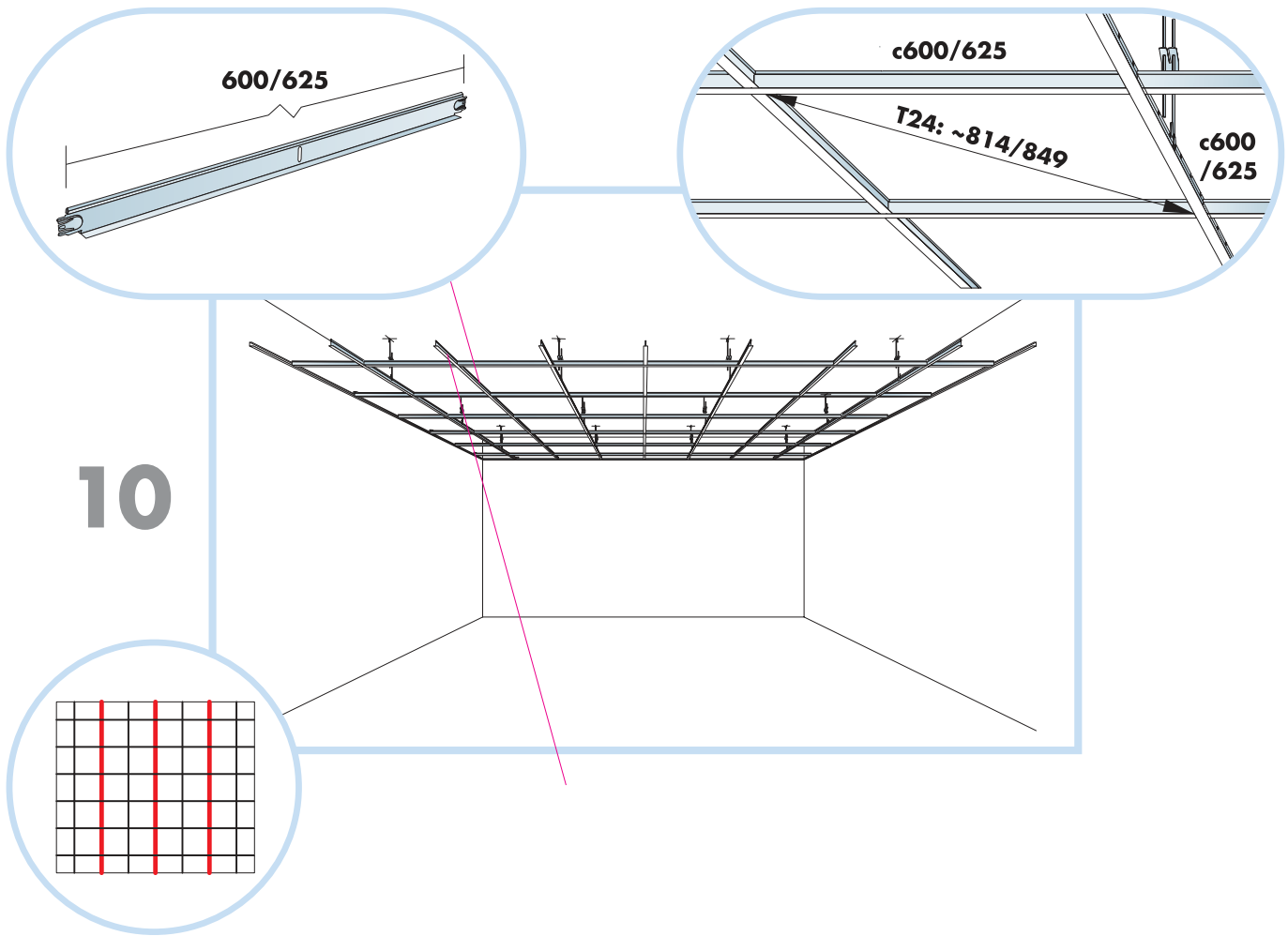


8₁

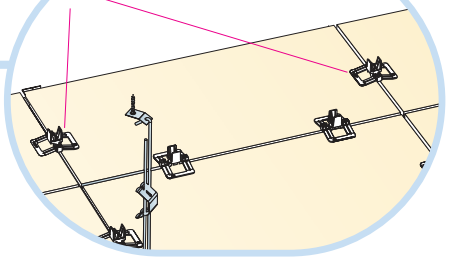
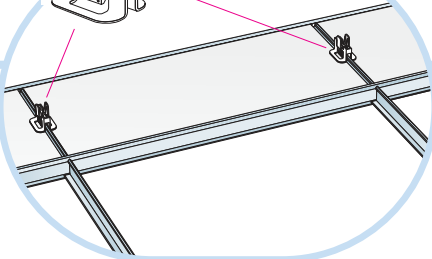
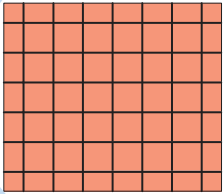
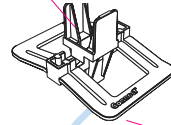
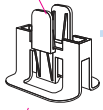
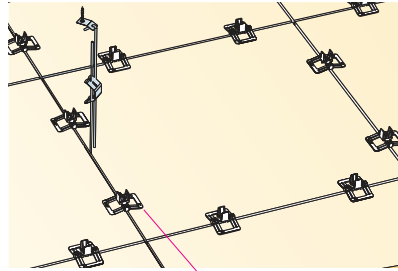
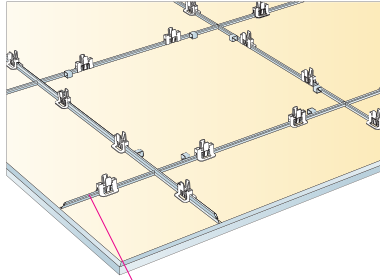




600x600/625x625 → 10



12



13

