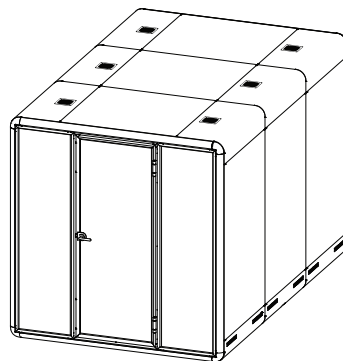


# KOLO DUO++

1 \* Duo  
2 \* DuoX



## Assembly Instructions.

---

acoustic collection - kolo duo++  
[right hand open - outlet on right - without furniture - type A/B]

koplus b.v. | [koplus.eu](http://koplus.eu)  
[info@koplusbrand.com](mailto:info@koplusbrand.com)

version191021

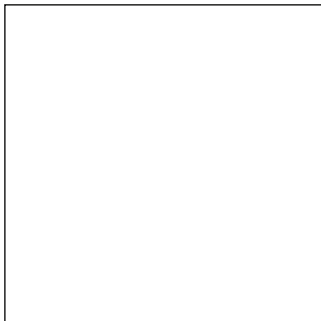
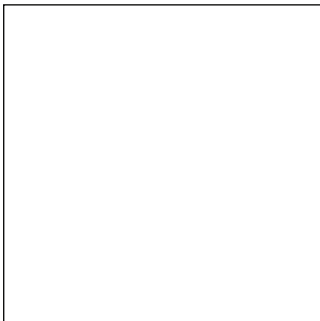
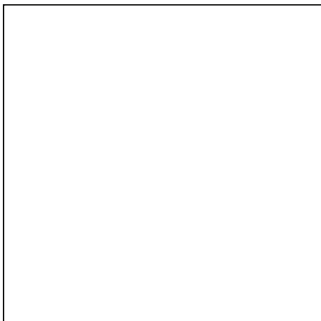
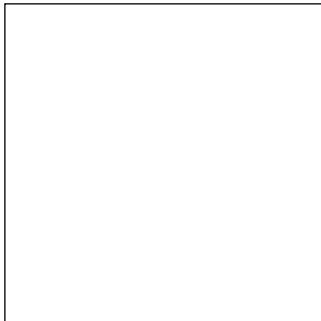
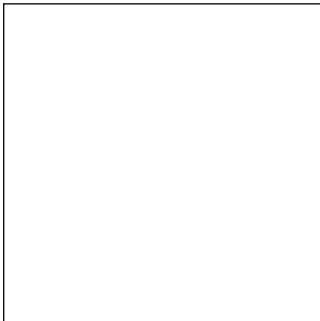
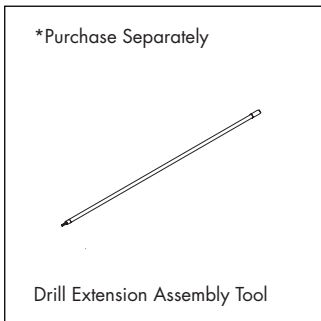
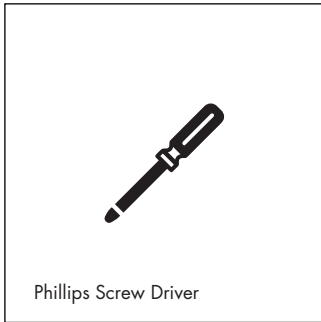
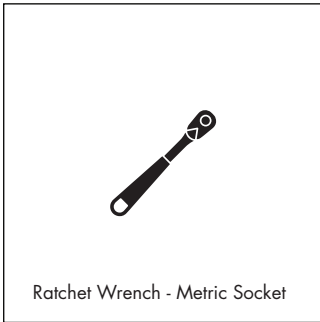
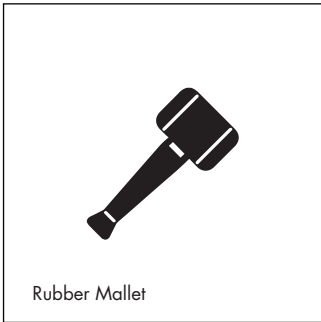
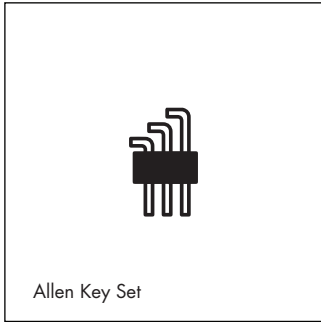
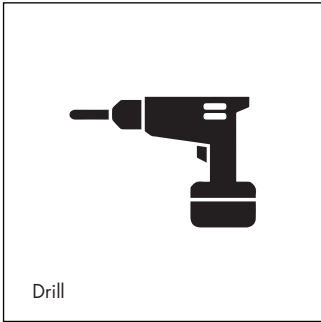


Before we start, here are some things to be aware of:


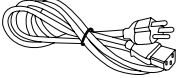
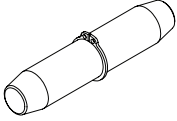
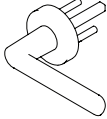

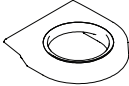




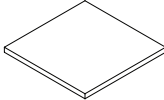
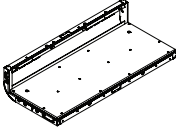
1. This is the assembly instruction for right hand opening door **Kolo Duo++** without furniture.
2. A packaged **Kolo Duo++** unit weights 937 kg and will require 4-5 persons to install. It takes an average of 60 - 100 min to install **Kolo Duo++**.
3. Please assemble with caution and make sure that the installation site is protected to prevent any injuries or risks of damaging the product and surrounding.
4. Position and assemble **Kolo Duo++** as close to its final placement as possible. If needed, a fully assembled **Kolo Duo++** can be repositioned by retracting its four leveling feet and moved with its bottom rollers. When moving the unit, DO NOT push the unit against the rollers' direction! You may risk tipping **Kolo Duo++** or damaging its rollers.
5. Make sure you have all the required tools listed (pg. 03).
6. We recommend leaving at least 30 cm of space between the wall or between multiple units of **Kolo Duo++**.
7. Make sure that the **Kolo Duo++** power source can safely load 10amp. When the ventilation is on, LED light is at its full lumination, and the power charging station is not in use, the wattage usage is 24W. The power cord fuse is set at 7amp to prevent overloading.
8. **Kolo Duo++** comes with 2 AC power outlets and 2 USB charging outlets. DO NOT plug in any electronic devices that uses over 5amp.



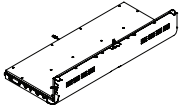
# Required Tools



# Part List : Duo

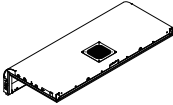
<p><b>N°1-1</b></p>  <p>Duo</p> <p>Tool Kit: Screw Pack x1</p>	<p><b>N°1-2</b></p>  <p>Tool Kit: Power Cord x1</p>	<p><b>N°1-3</b></p>  <p>Dowel Pin x8</p>
<p><b>N°1-4</b></p>  <p>Exterior Handle x1</p>	<p><b>N°1-5</b></p>  <p>Mounting Plate x2</p>	<p><b>N°1-6</b></p>  <p>Rose x2</p>
<p><b>N°1-7</b></p>  <p>Interior Handle x1</p>	<p><b>N°1-8</b></p>  <p>M4x40mmL x2</p>	<p><b>N°1-9</b></p>  <p>Screw Cover Single x2</p>
<p><b>N°1-10</b></p>  <p>Screw Cover Double x9</p>	<p><b>N°1-11</b></p>  <p>Bottom Socket Cover Tile x2</p>	<p><b>N°2-1</b></p>  <p>Floor Corner x1</p>

**N°2-2**



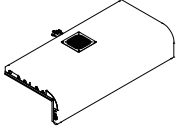
Floor Corner + Electric x1

**N°3-1**



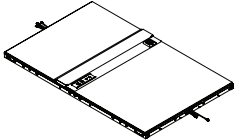
Roof Corner x1

**N°3-2**



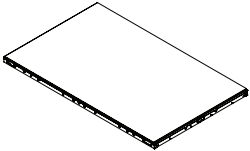
Roof Corner + Electric x1

**N°4**



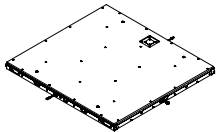
Side Wall + Electric x1

**N°5**



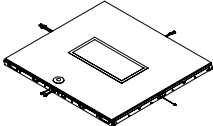
Side Wall x1

**N°6**



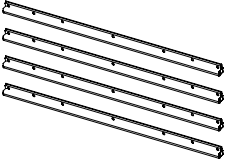
Floor x1

**N°7**



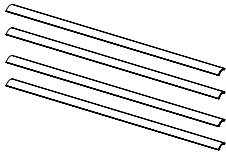
Roof x1

**N°8-1**



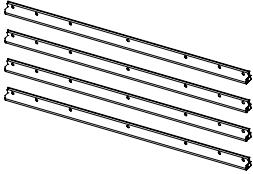
Horizontal Frames x4

**N°8-2**



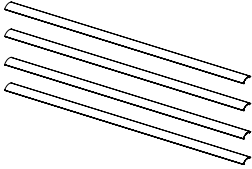
Horizontal Frame Covers x4

**N°9-1**



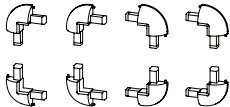
Vertical Frames x4

**N°9-2**

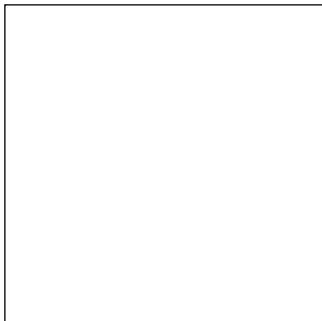
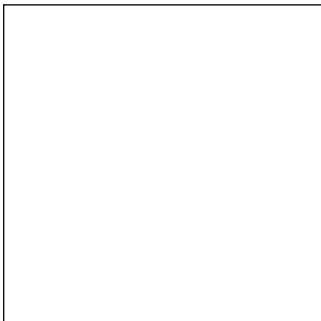
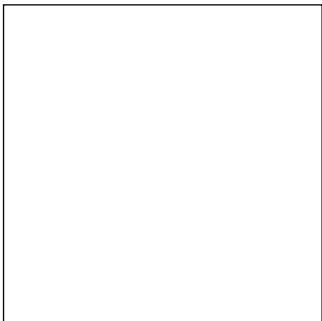
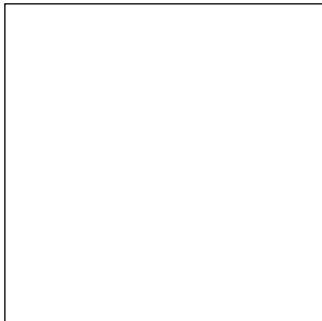
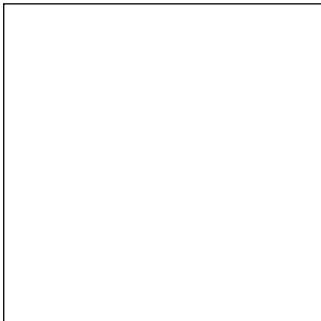
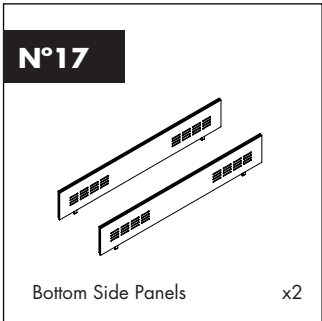
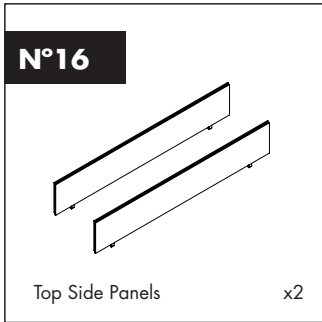
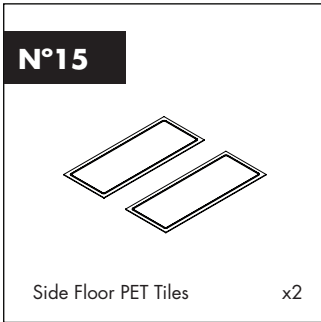
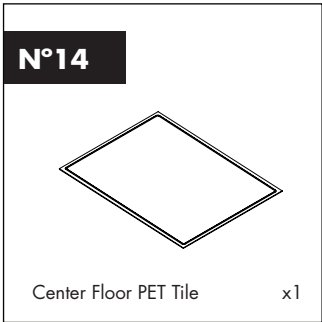
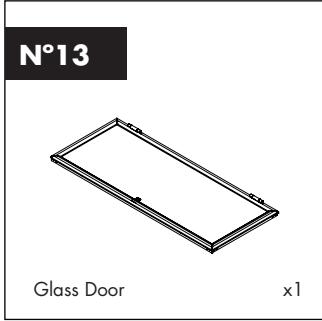
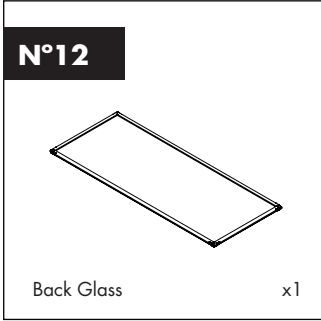
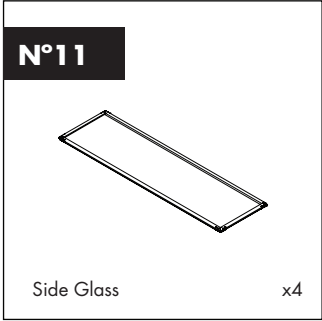


Vertical Frame Covers x4

**N°10**

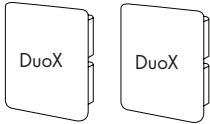
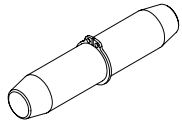
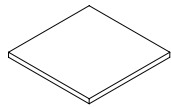
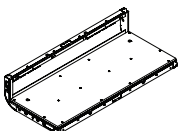
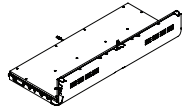
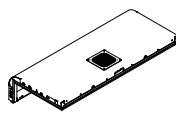
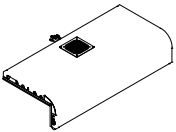
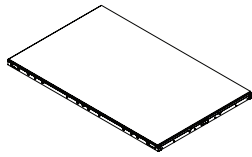
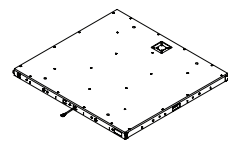
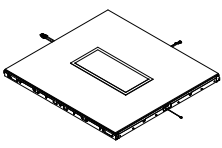
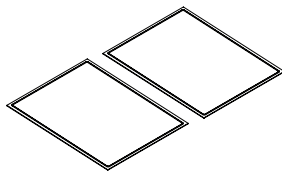
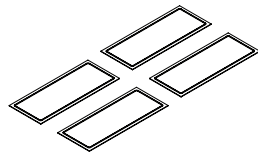


Frame Corners x8

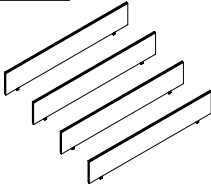




# Part List : DuoX \*2

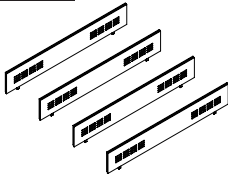
<p><b>N°1-1</b></p>  <p>DuoX DuoX</p> <p>Tool Kit: Screw Pack x2</p>	<p><b>N°1-3</b></p>  <p>Dowel Pin x40</p>	<p><b>N°1-11</b></p>  <p>Bottom Socket Cover Tile x2</p>
<p><b>N°2-1</b></p>  <p>Floor Corner x2</p>	<p><b>N°2-2</b></p>  <p>Floor Corner + Electric x2</p>	<p><b>N°3-1</b></p>  <p>Roof Corner x2</p>
<p><b>N°3-2</b></p>  <p>Roof Corner + Electric x2</p>	<p><b>N°5</b></p>  <p>Side Wall x4</p>	<p><b>N°6</b></p>  <p>Floor x2</p>
<p><b>N°7</b></p>  <p>Roof x2</p>	<p><b>N°8</b></p>  <p>Center Floor PET Tile x2</p>	<p><b>N°9</b></p>  <p>Side Floor PET Tiles x4</p>

**N°10**




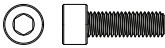



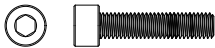


Top Side Panels x4

**N°11**



Bottom Side Panels x4

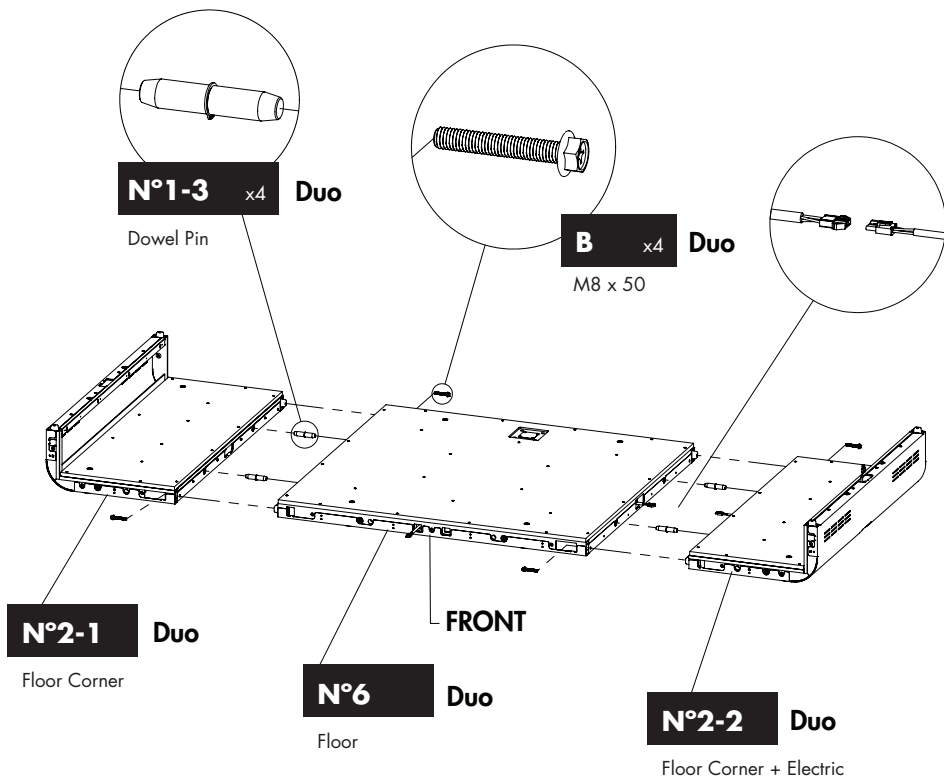
# Tool Kit: Screw Pack List

<p><b>Duo *1</b></p>	<p><b>A / B</b></p>  <p>M8 x 50 x24</p>	<p><b>C</b></p>  <p>M8 x 25 x48</p>
<p><b>D</b></p>  <p>Spring Washer x48</p>	<p><b>E</b></p>  <p>M4 x 25 x11</p>	
<p><b>DuoX *2</b></p>	<p><b>A / B</b></p>  <p>M8 x 50 x48</p>	<p><b>C</b></p>  <p>M8 x 35 x32</p>
<p><b>D</b></p>  <p>M8 x 60 x8</p>	<p><b>G</b></p>  <p>Spring Washer x8</p>	

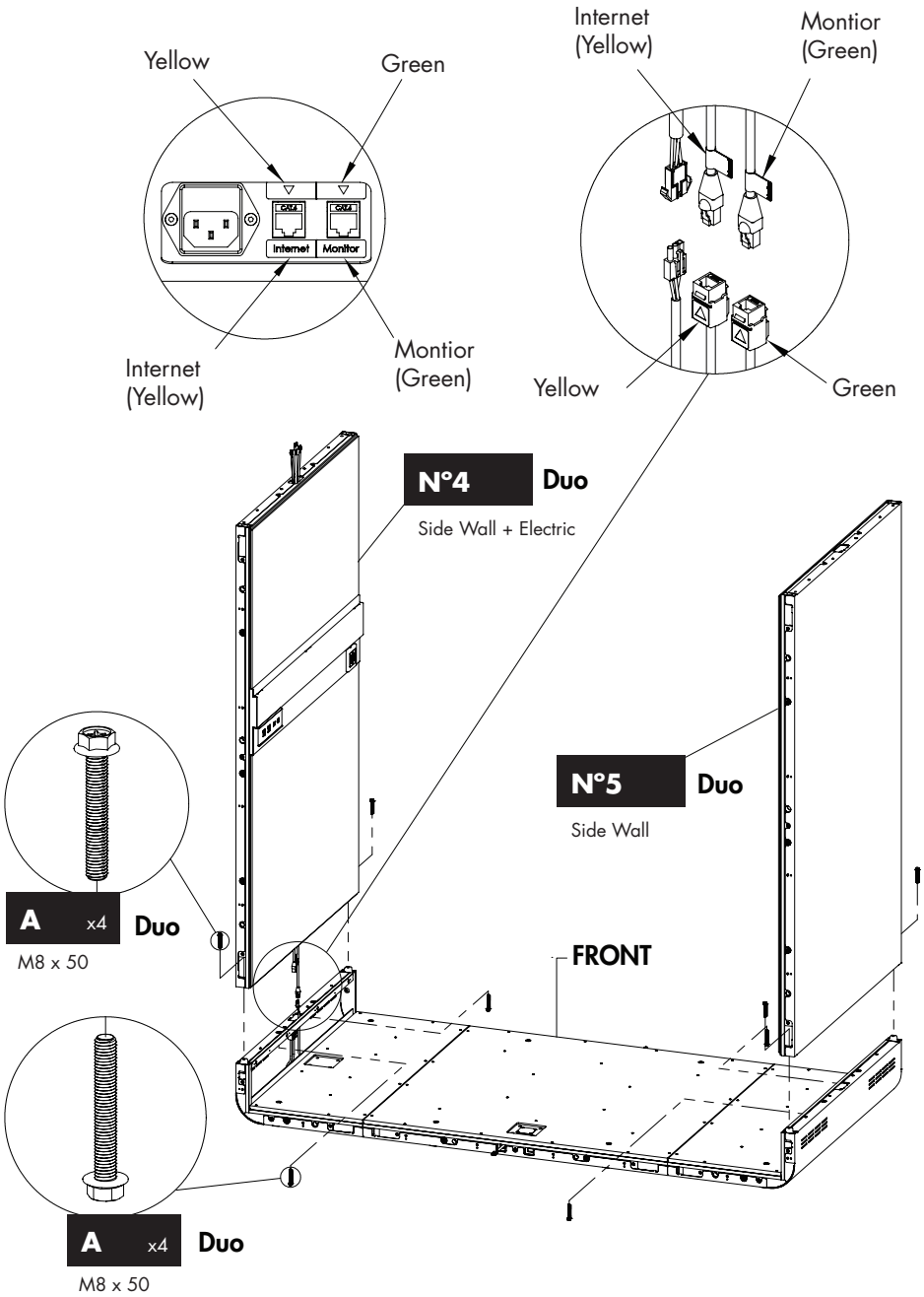
# Step 1.

## Assemble Duo

**HEADS UP**  
Handle with care! Parts are NOT fully assembled out of the packaging. Please disjoint the parts before proceeding with the following step.

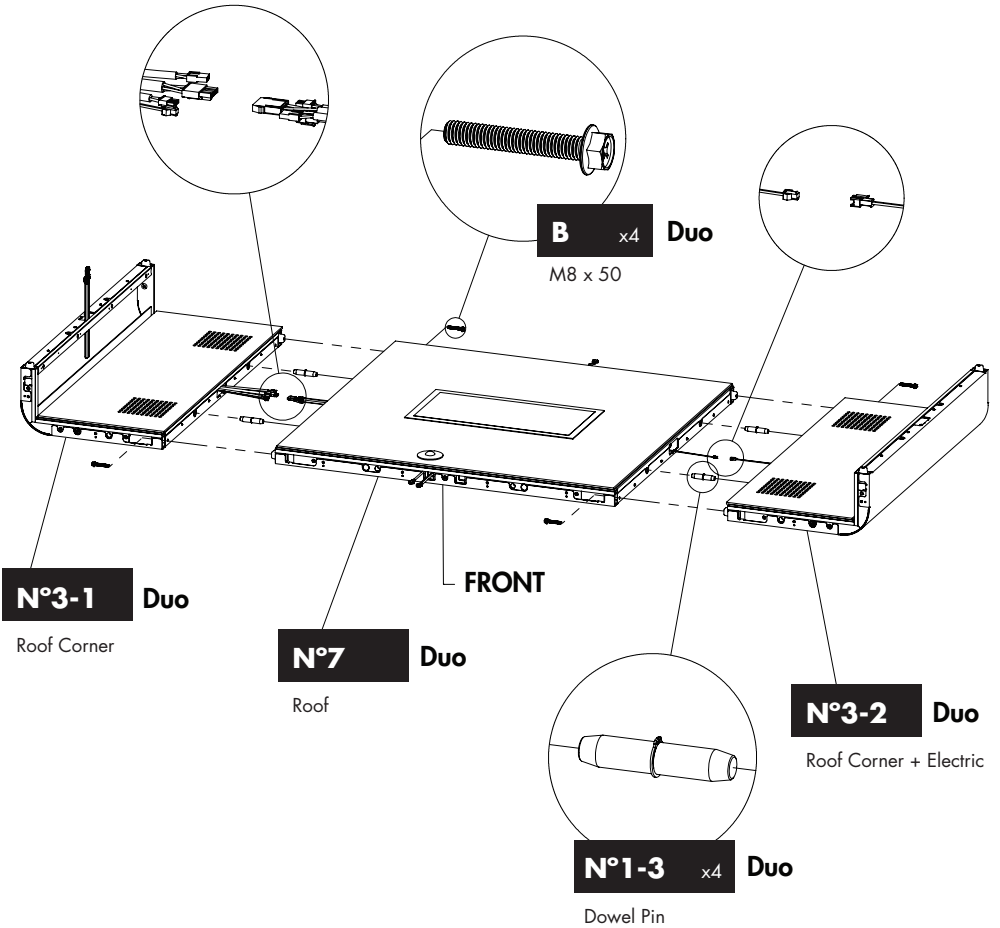


# Step 2.

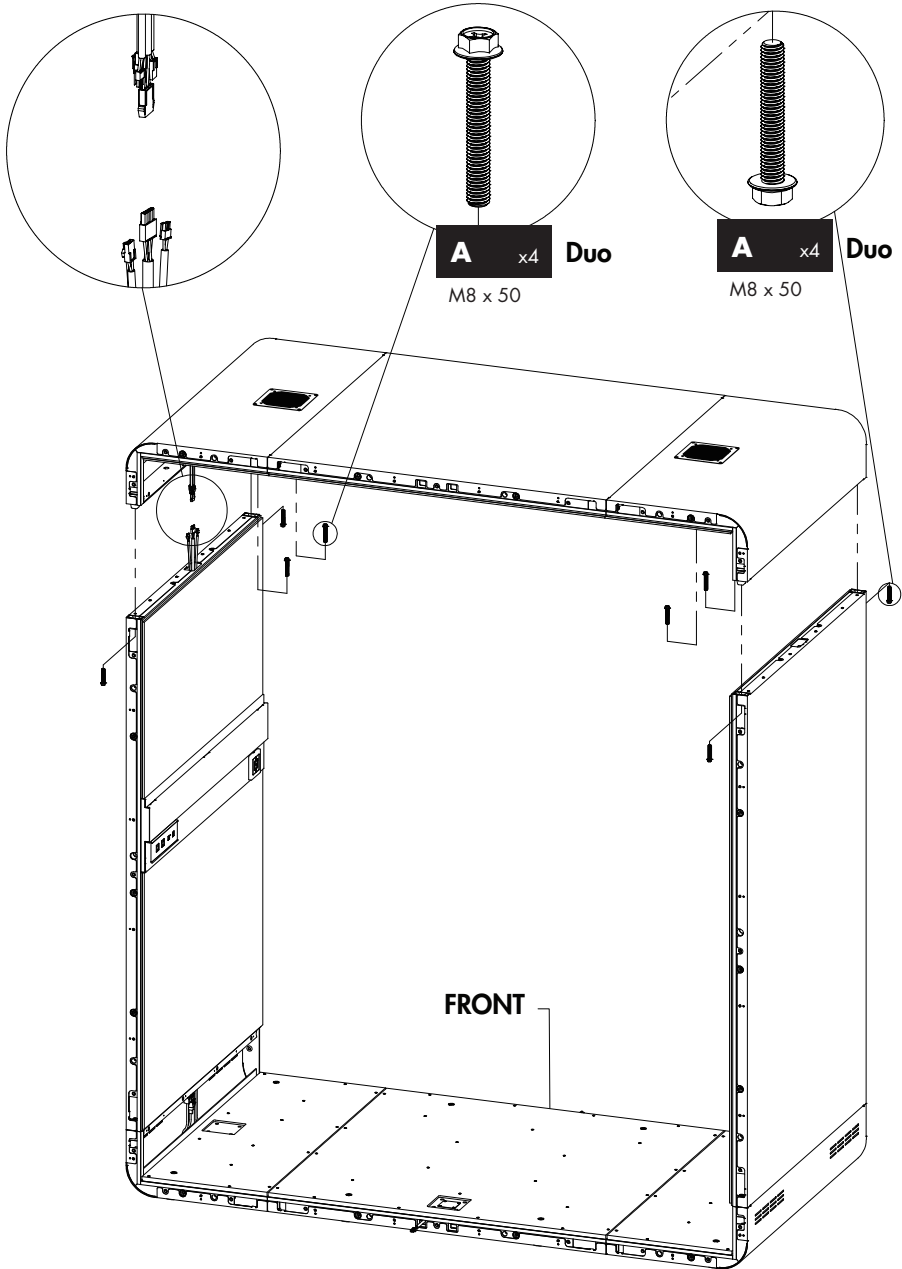


# Step 3.

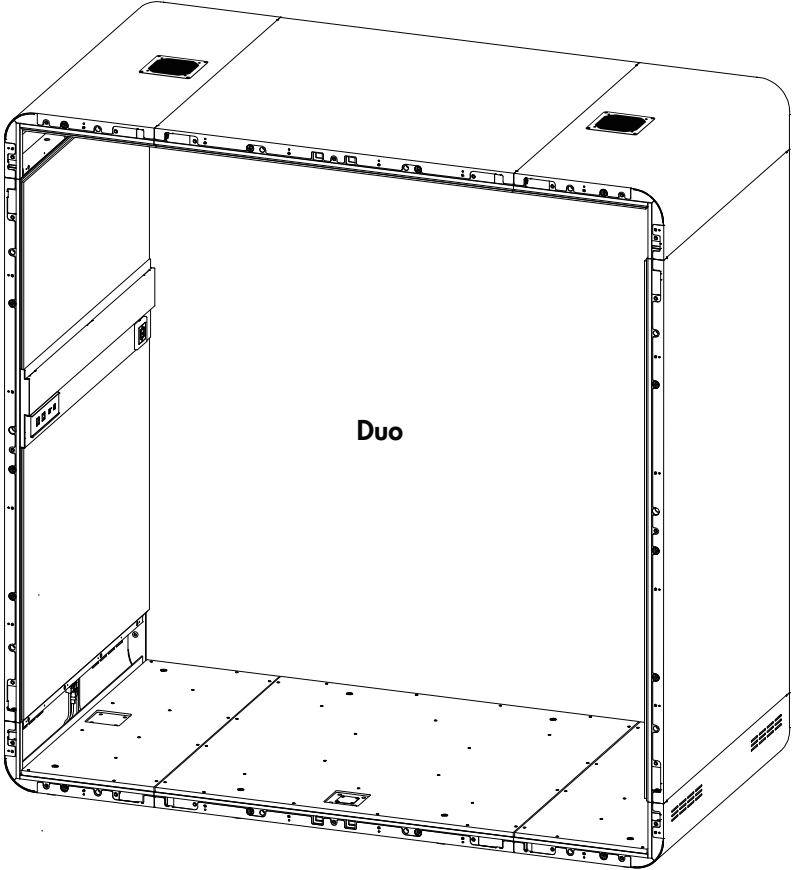
**HEADS UP**  
Handle with care! Parts are NOT fully assembled out of the packaging. Please disjoint the parts before proceeding with the following step.



# Step 4.



# Step 5.

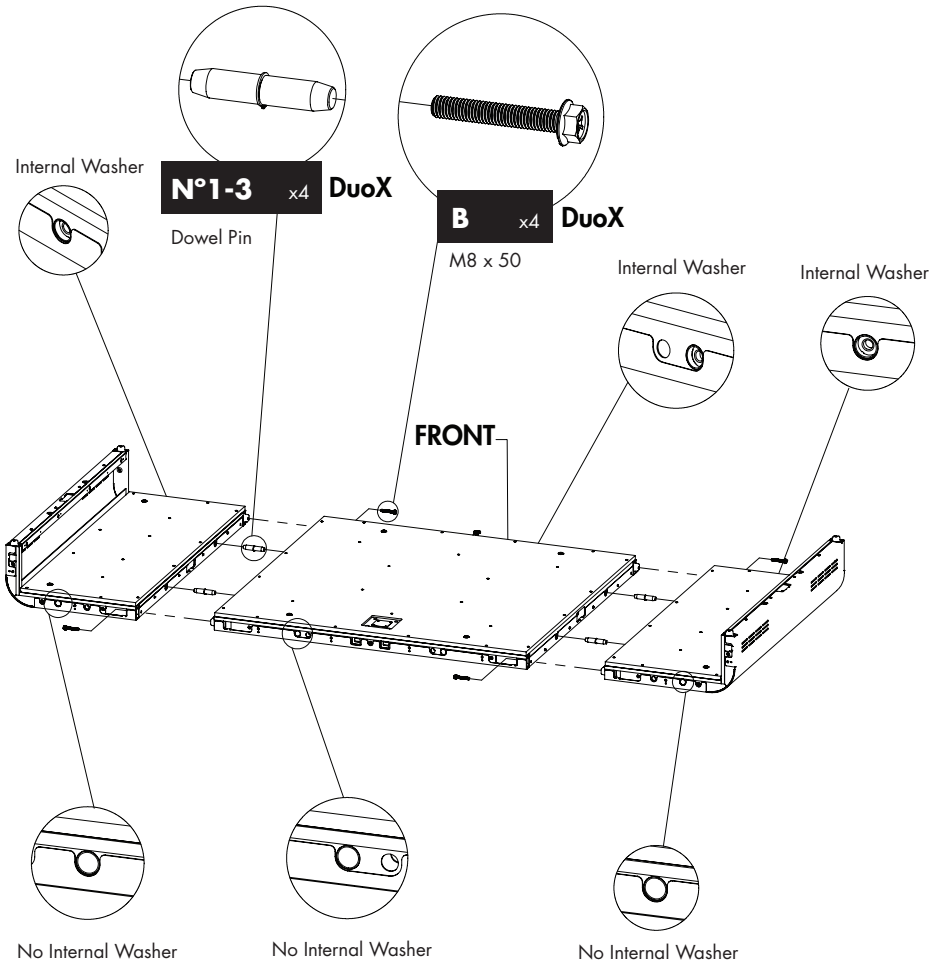




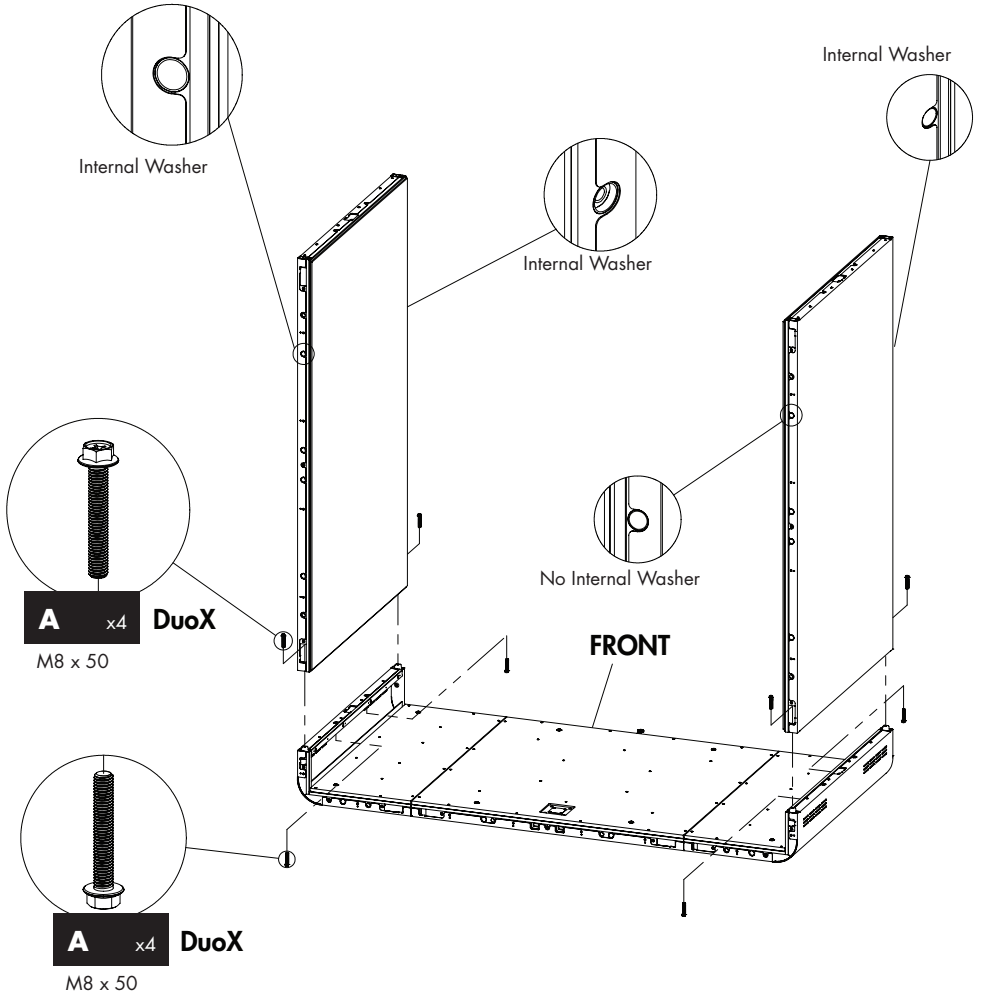
# Step 6.

## Assemble DuoX

**HEADS UP**  
Handle with care! Parts are NOT fully assembled out of the packaging. Please disjoin the parts before proceeding with the following step.

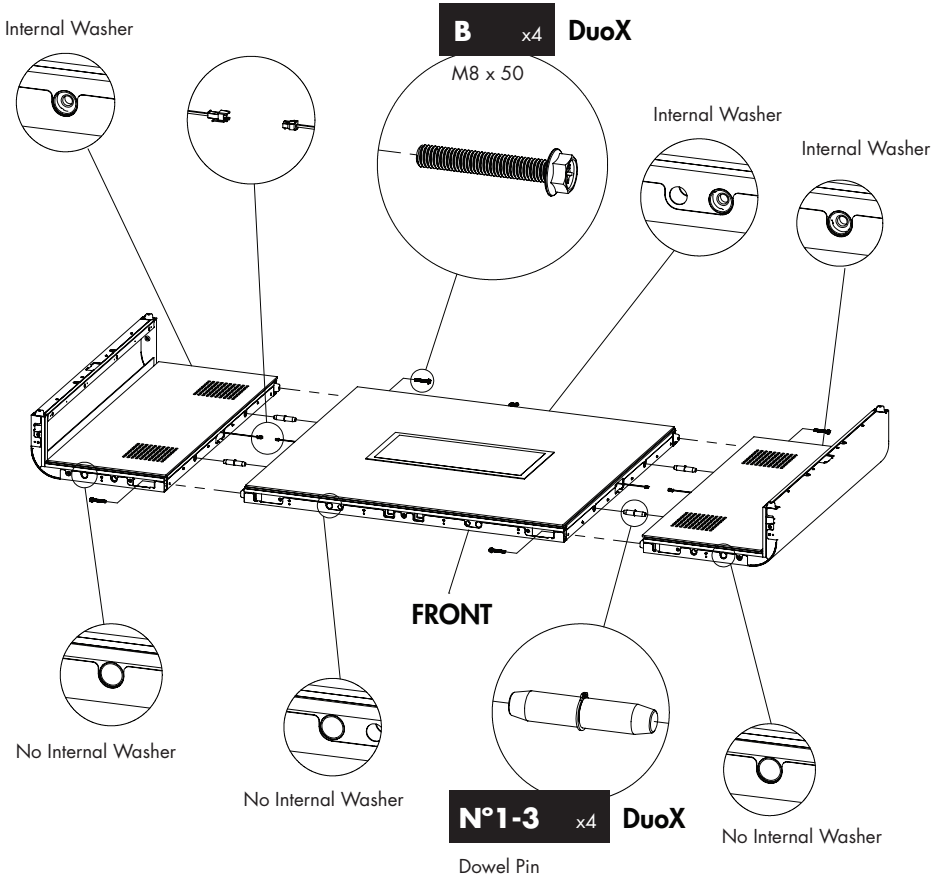


# Step 7.

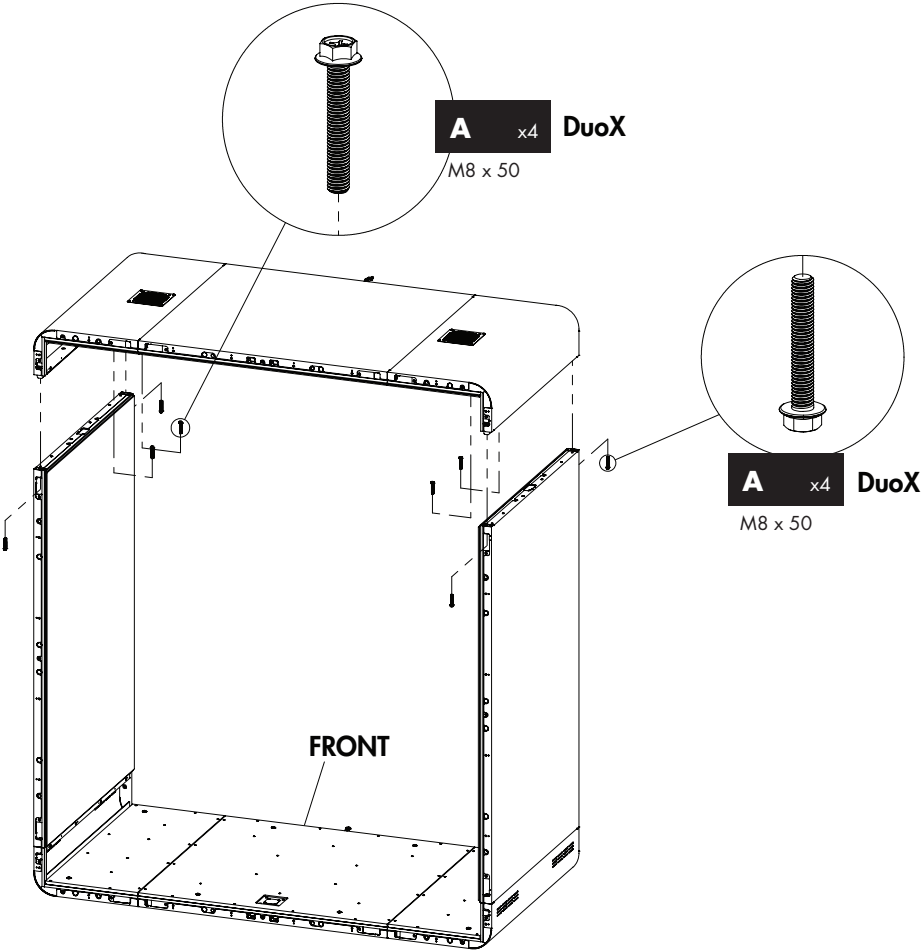


# Step 8.

**HEADS UP**  
Handle with care! Parts are NOT fully assembled out of the packaging. Please disjoint the parts before proceeding with the following step.

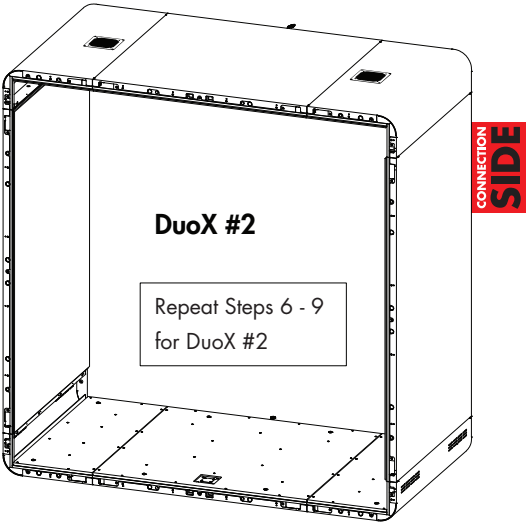
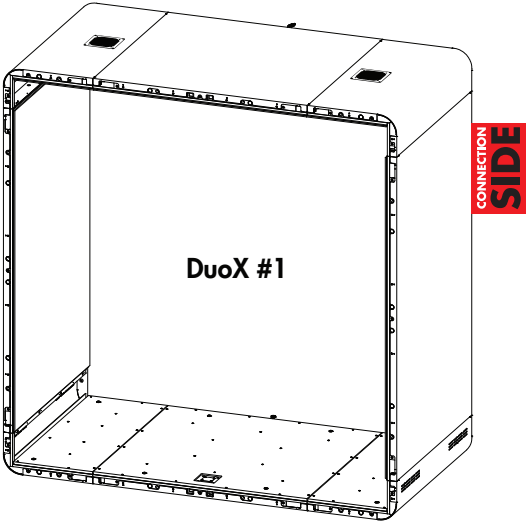


# Step 9.



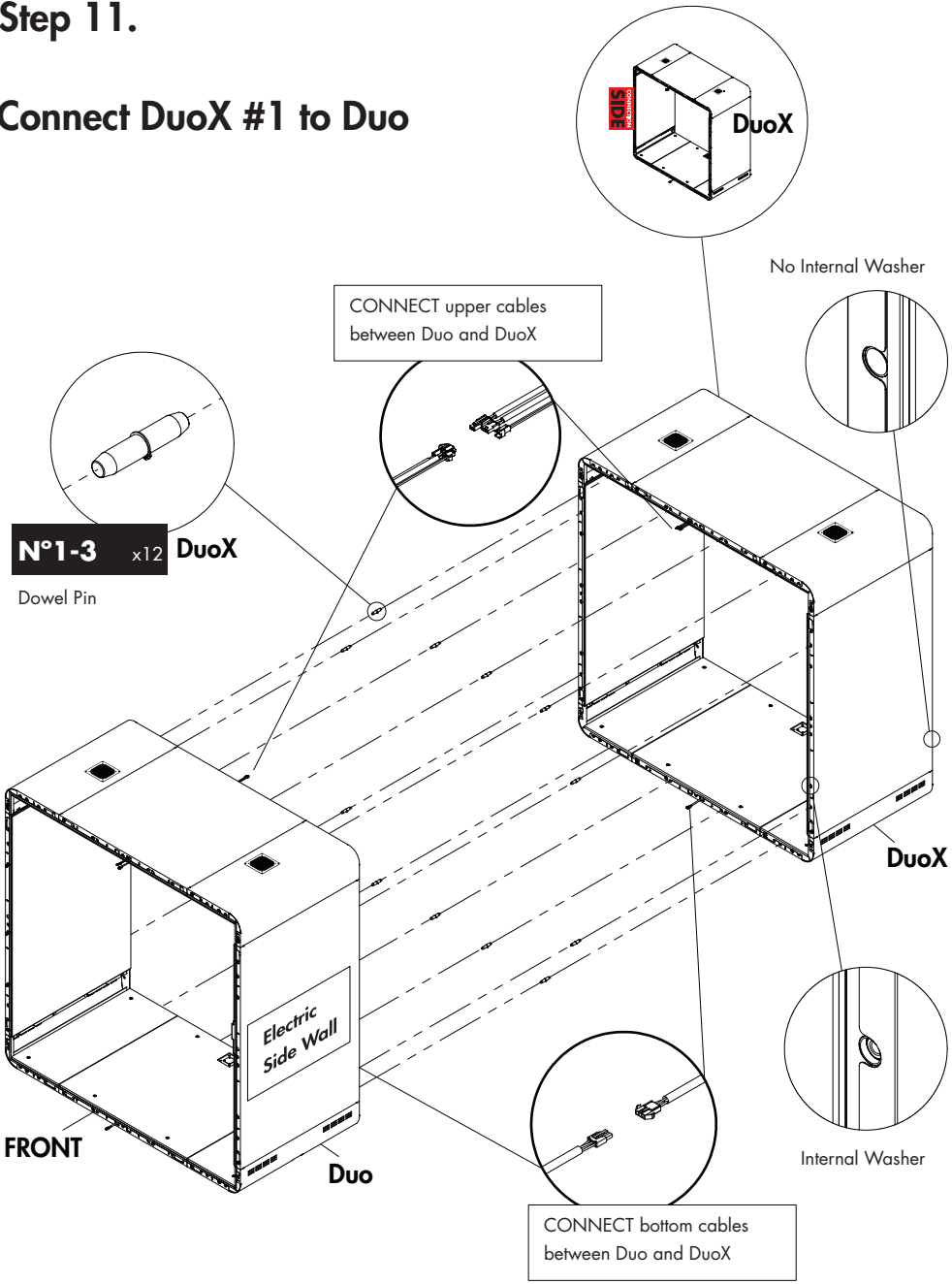
# Step 10.

**HEADS UP**  
DuoX sides are NOT interchangeable  
Connect the side WITH stickers to Duo

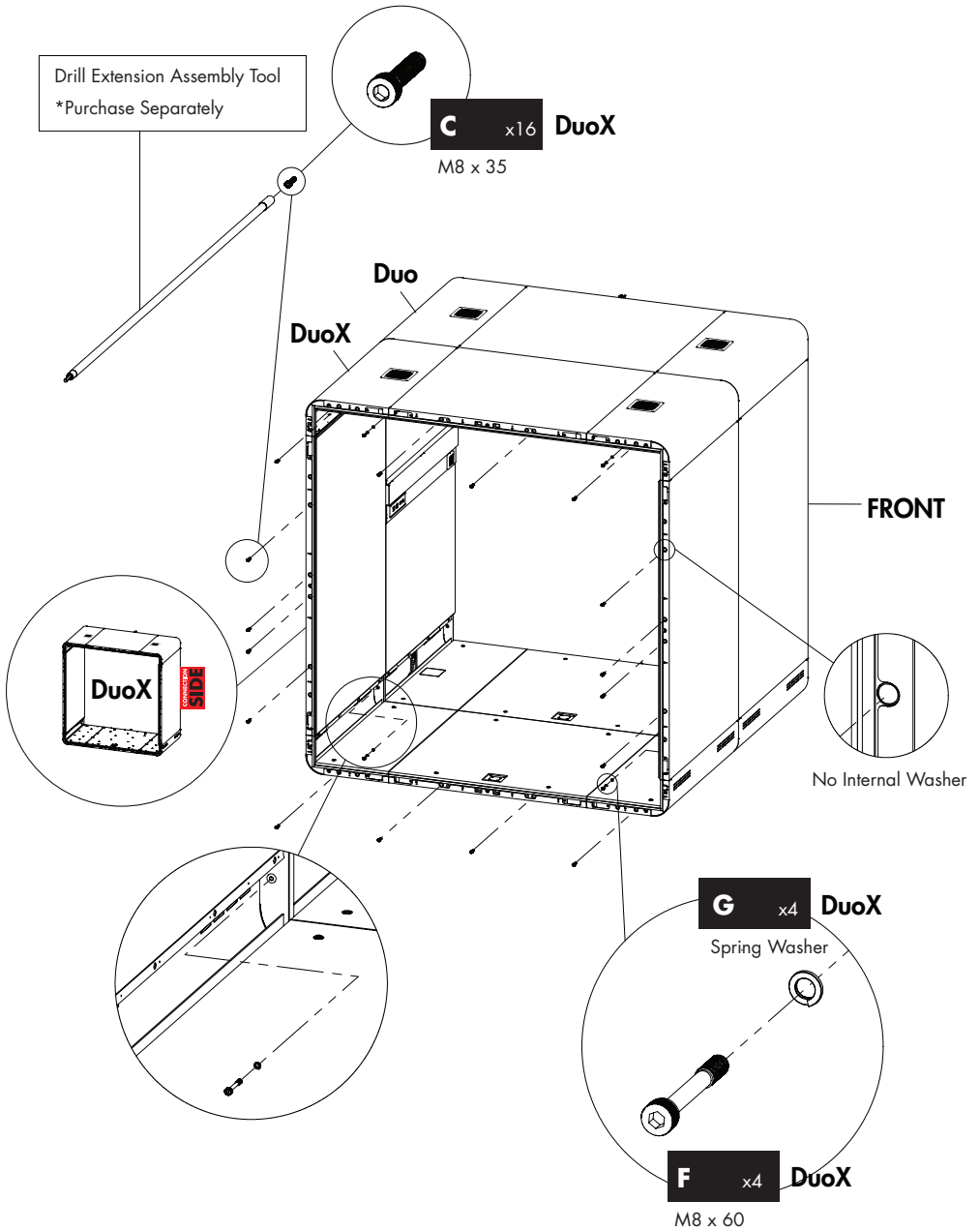


# Step 11.

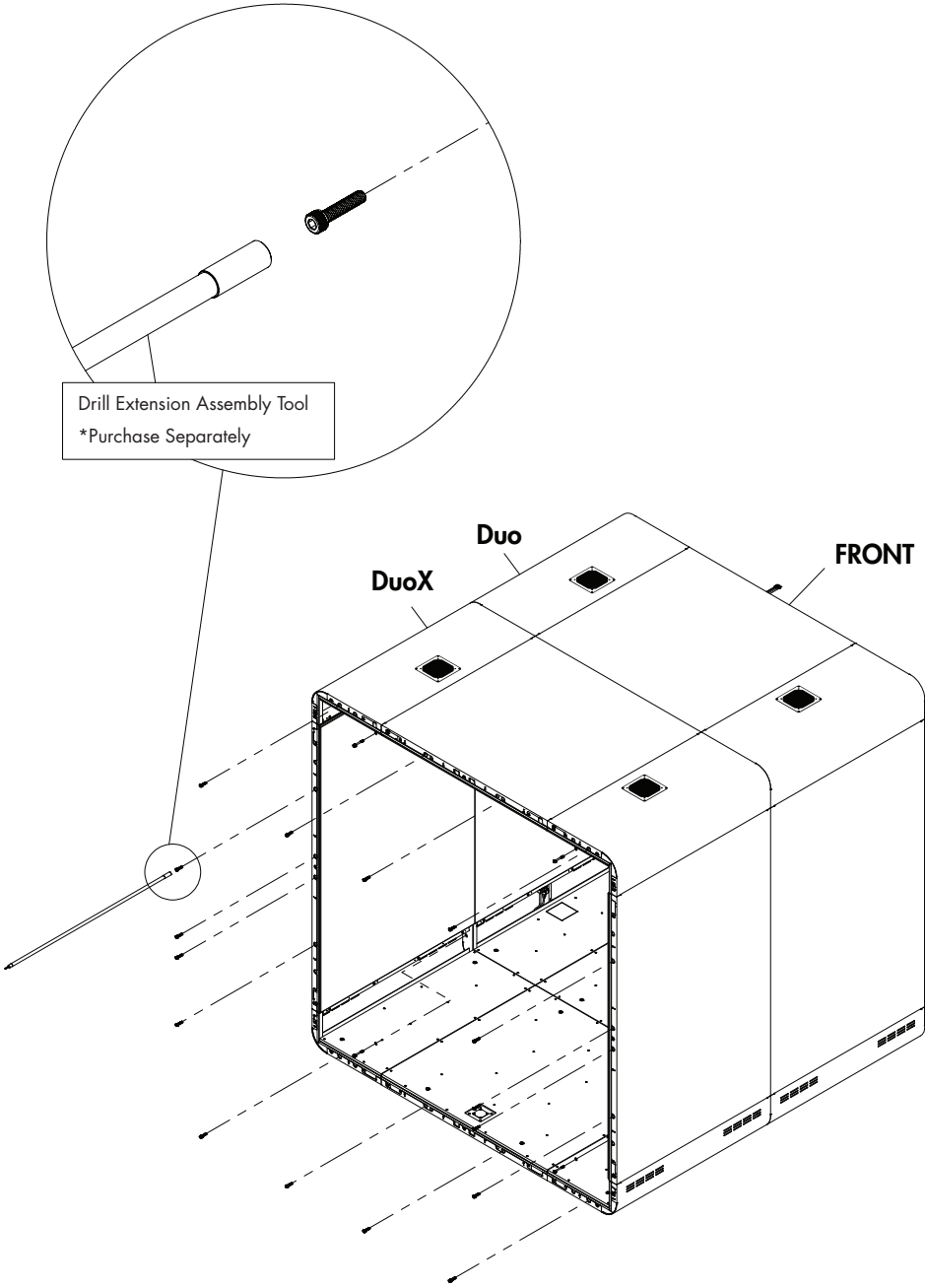
## Connect DuoX #1 to Duo



# Step 12.

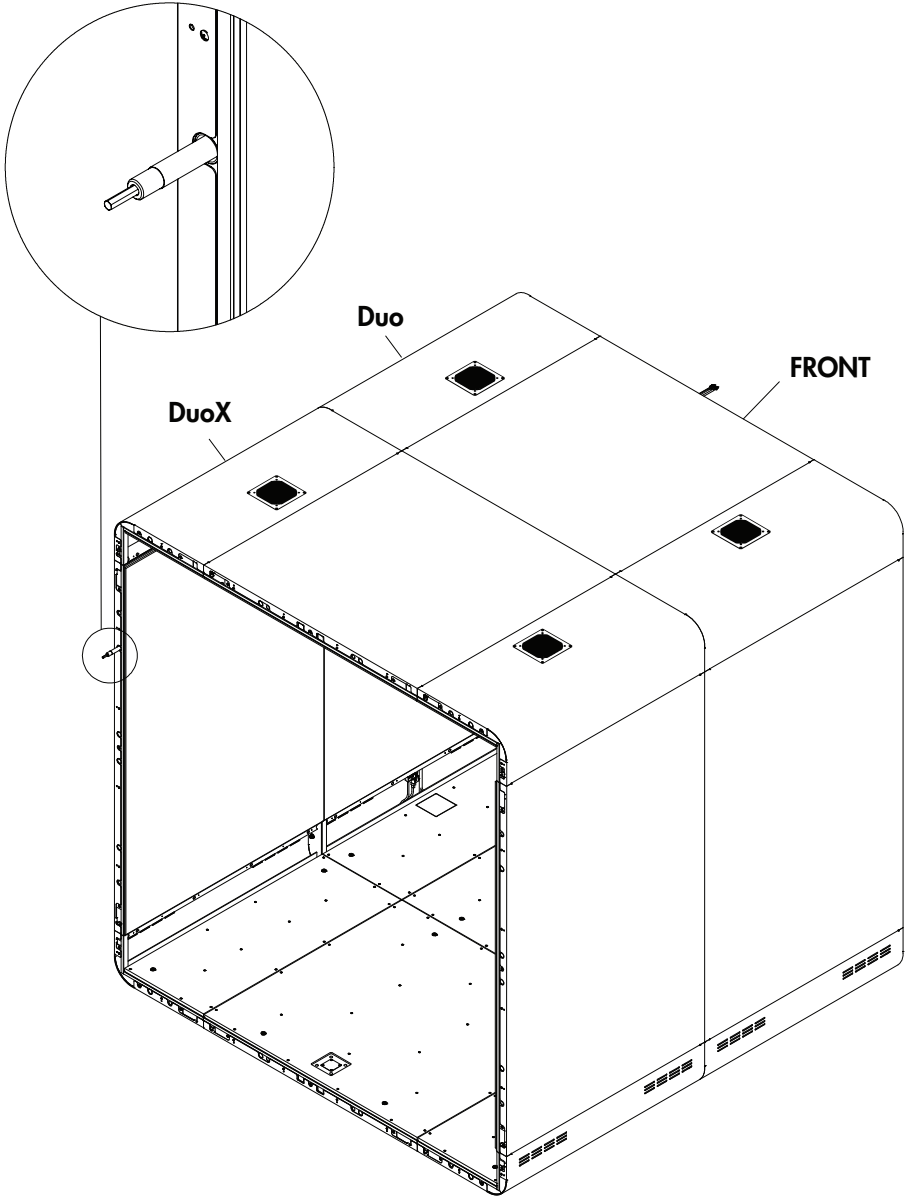


# Step 13.





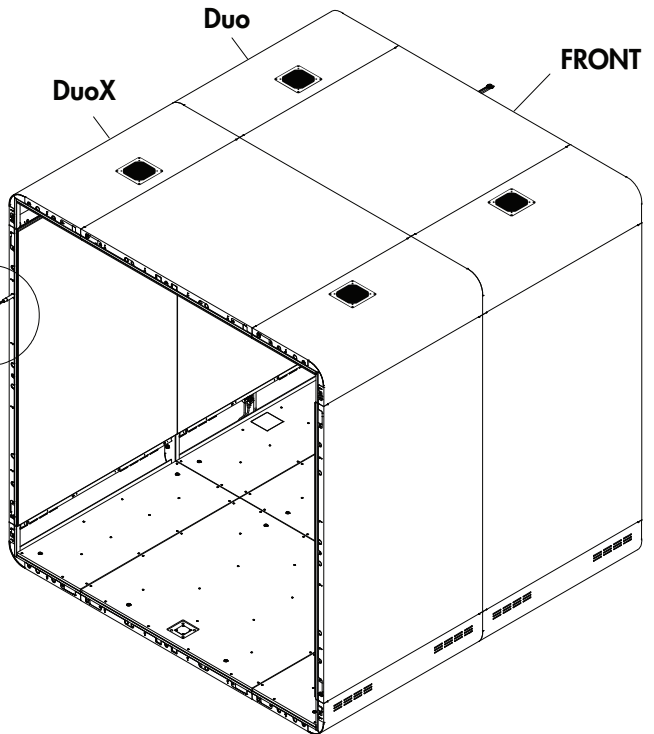
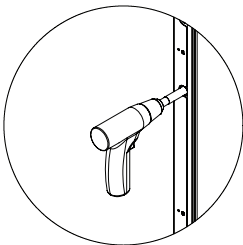
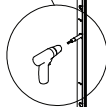
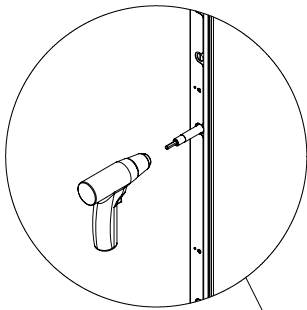
# Step 14.



# Step 15.

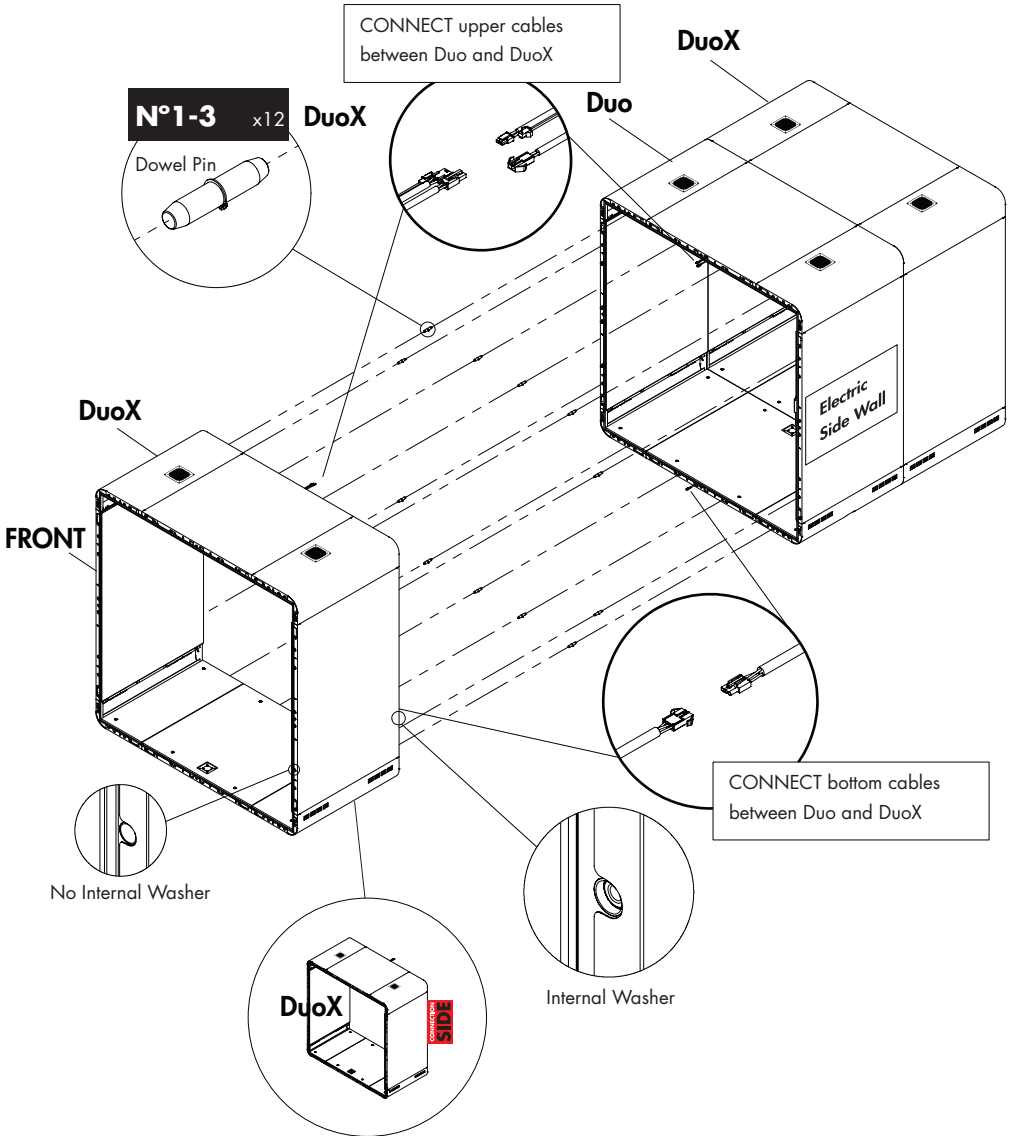
## HEADS UP

Connect to power source and check if Duo++ powers on before proceeding. If not, go back and check that you have connected the internal cables correctly.

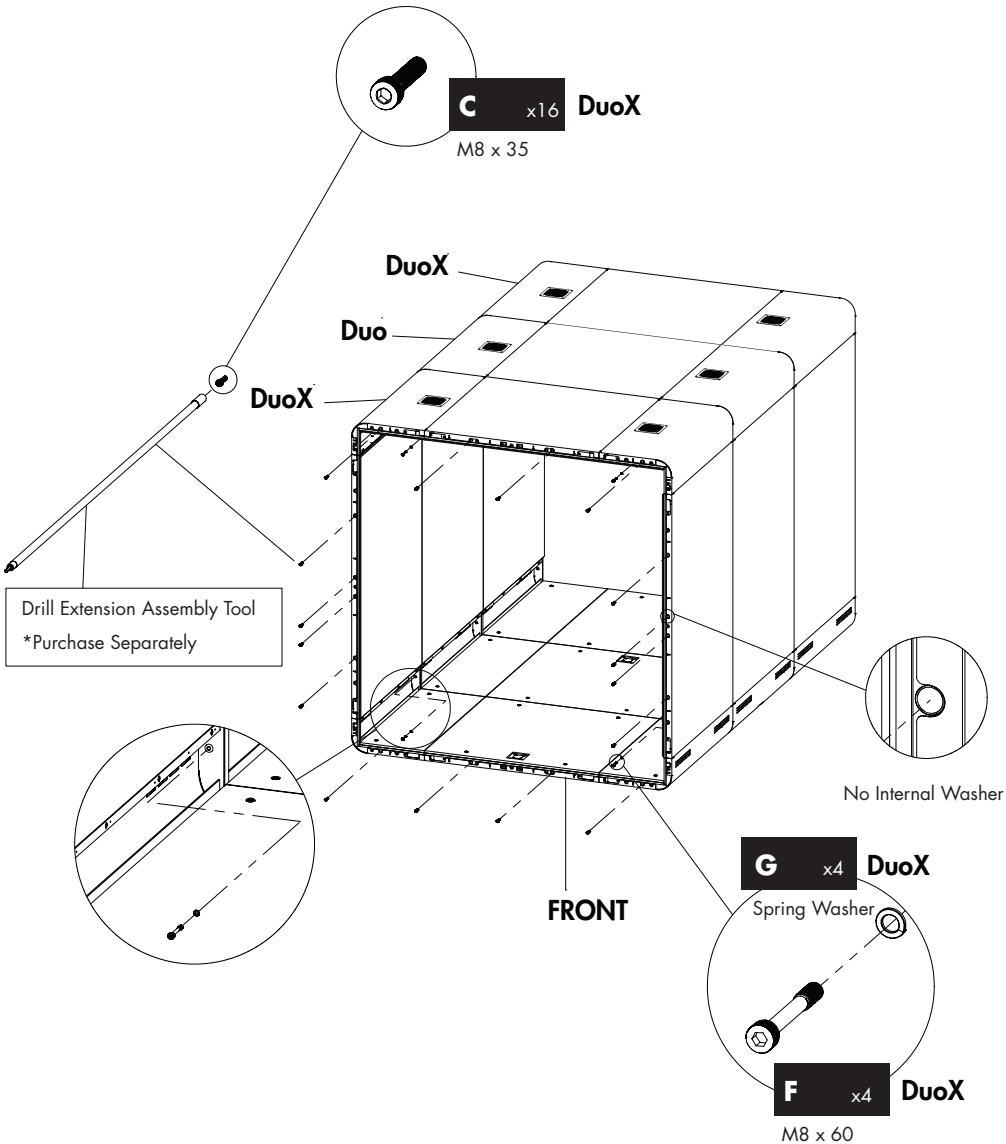


# Step 16.

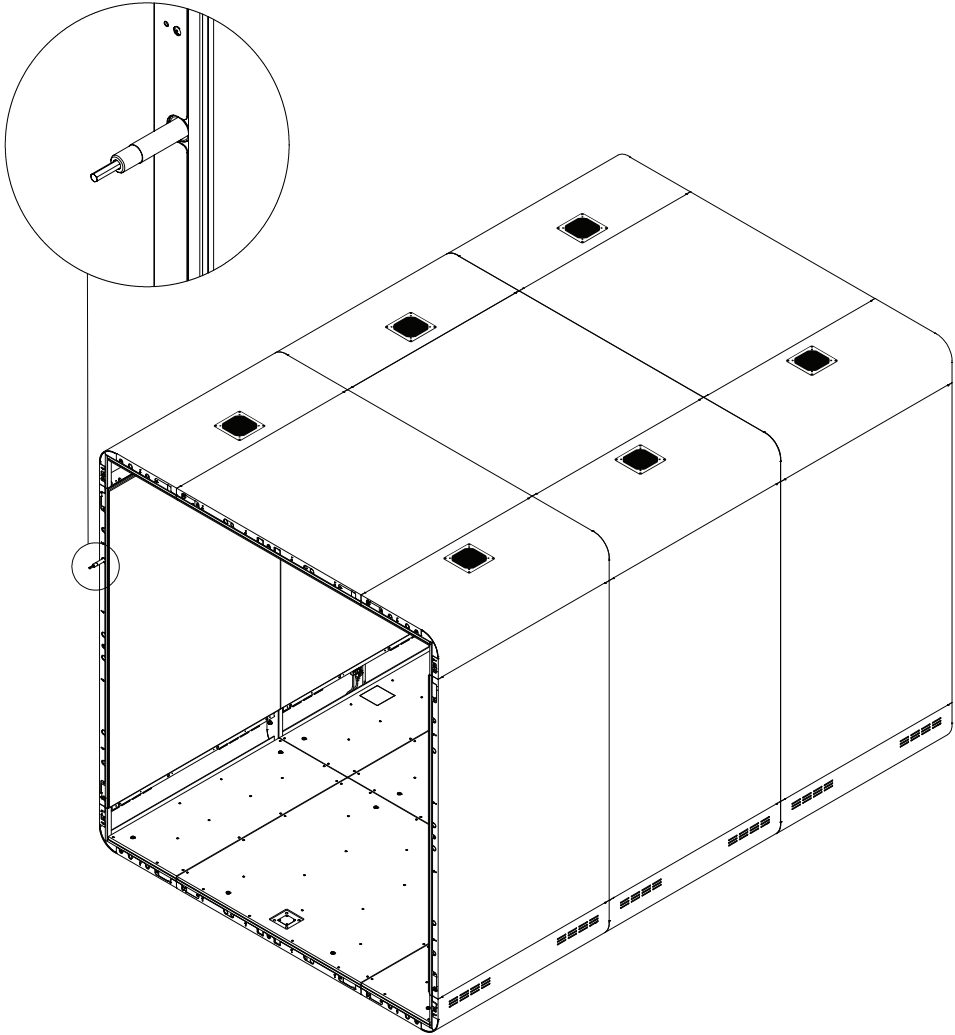
## Connect DuoX #2 to Duo



# Step 17.



# Step 18.

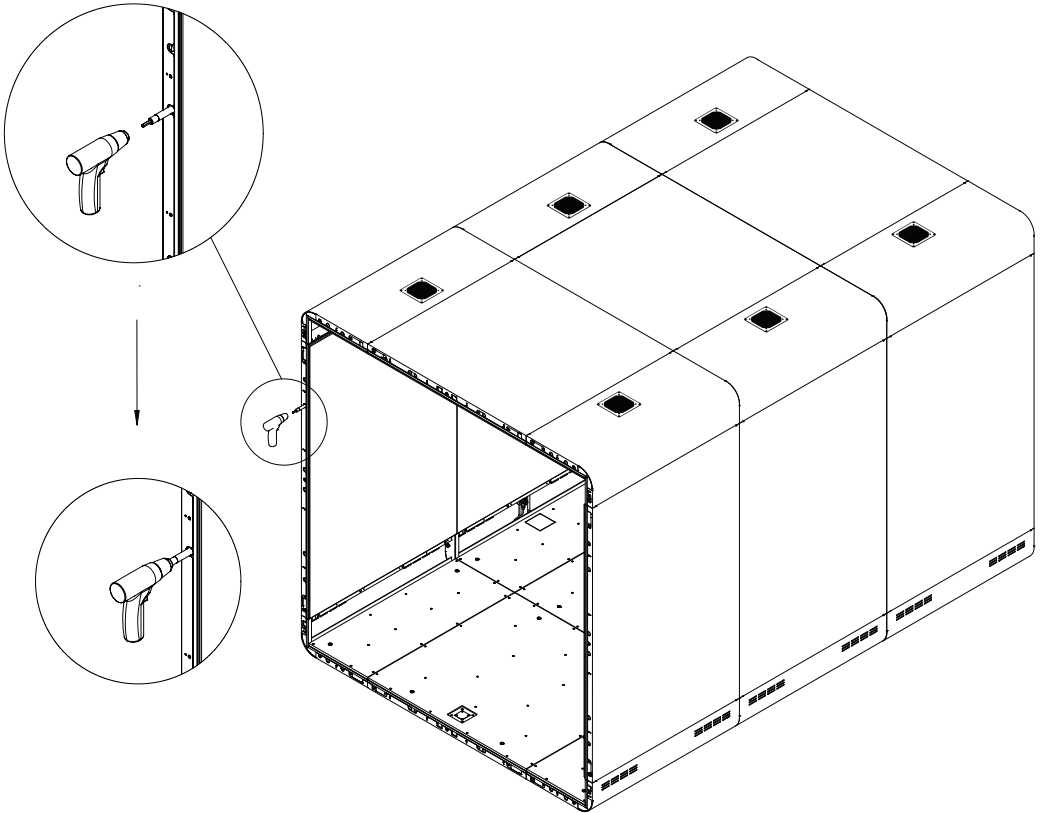


# Step 19.

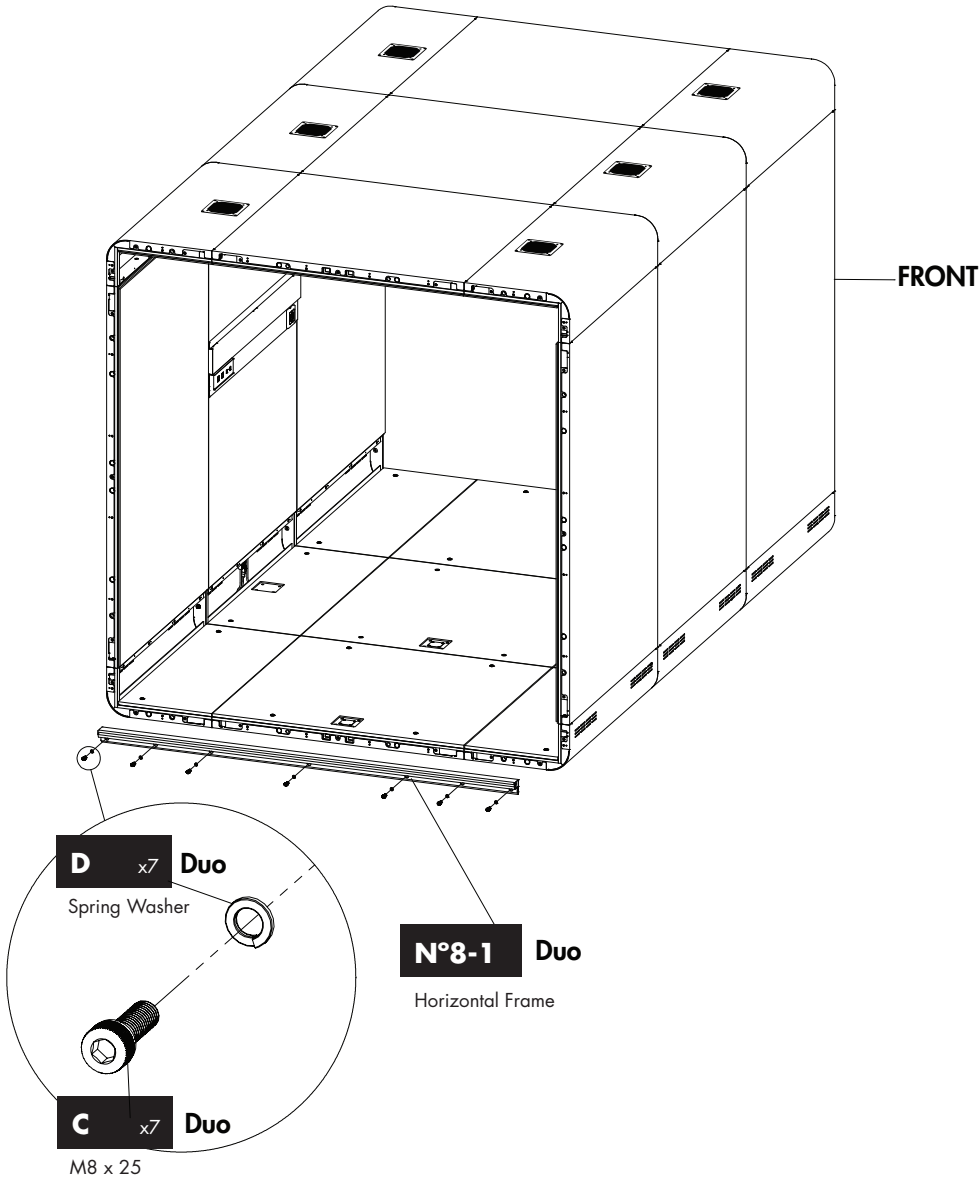
## HEADS UP



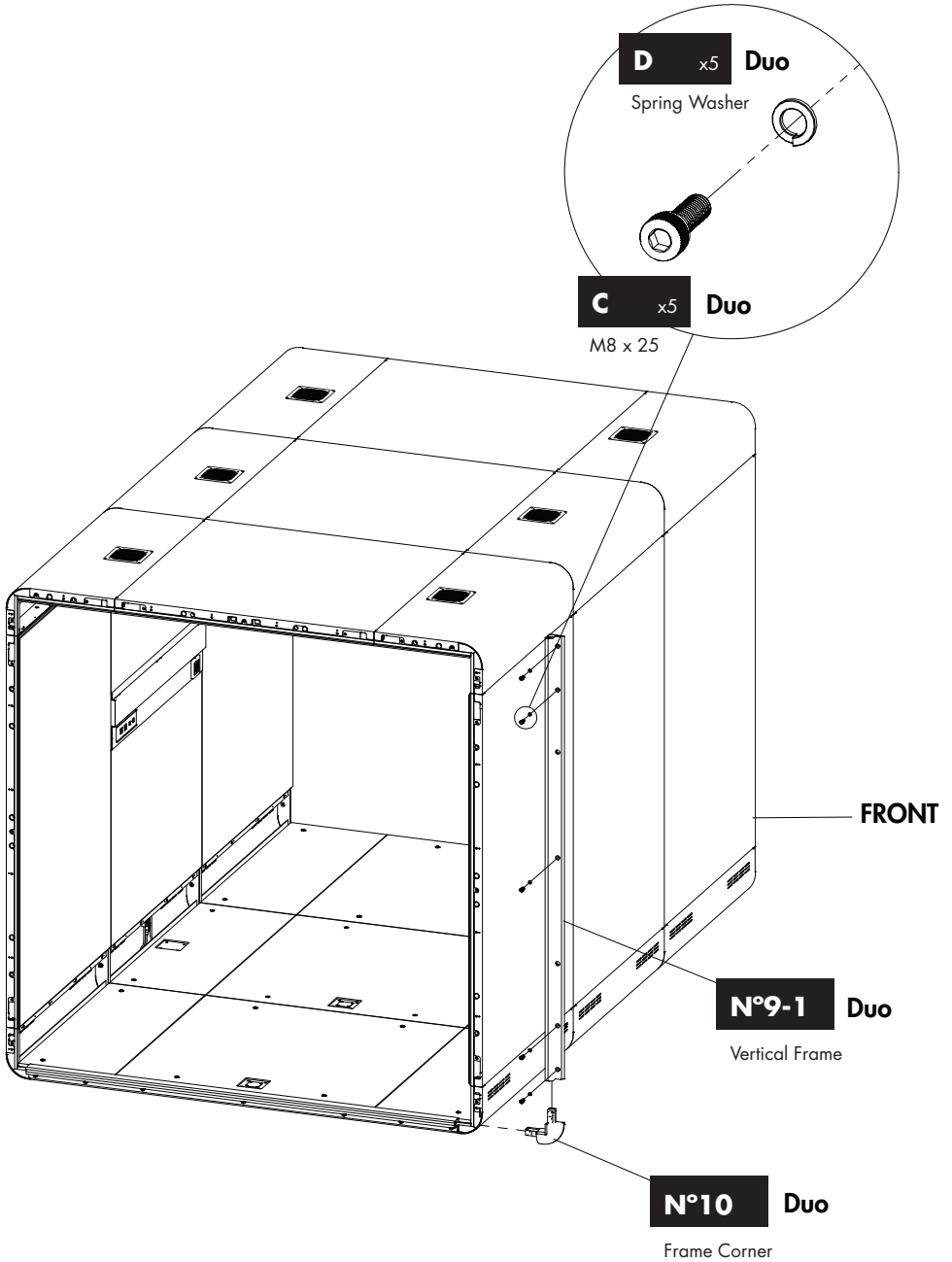
Connect to power source and check if Duo++ powers on before proceeding. If not, go back and check that you have connected the internal cables correctly.



# Step 20.

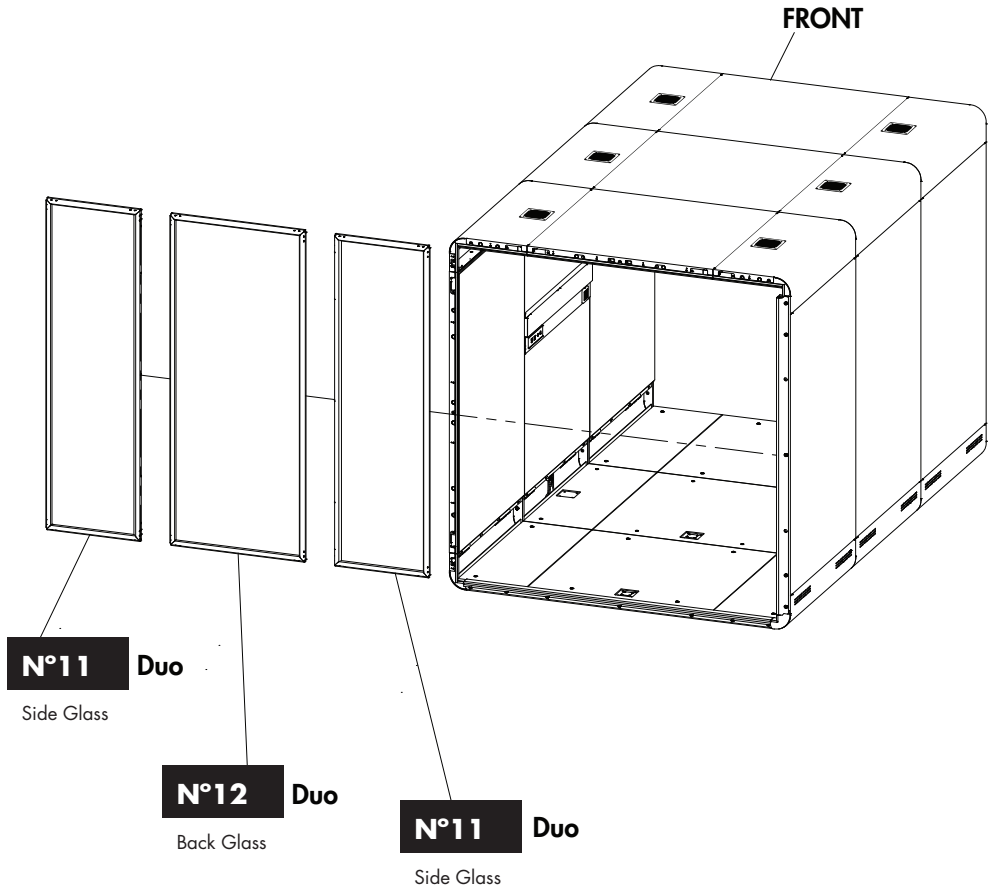


# Step 21.

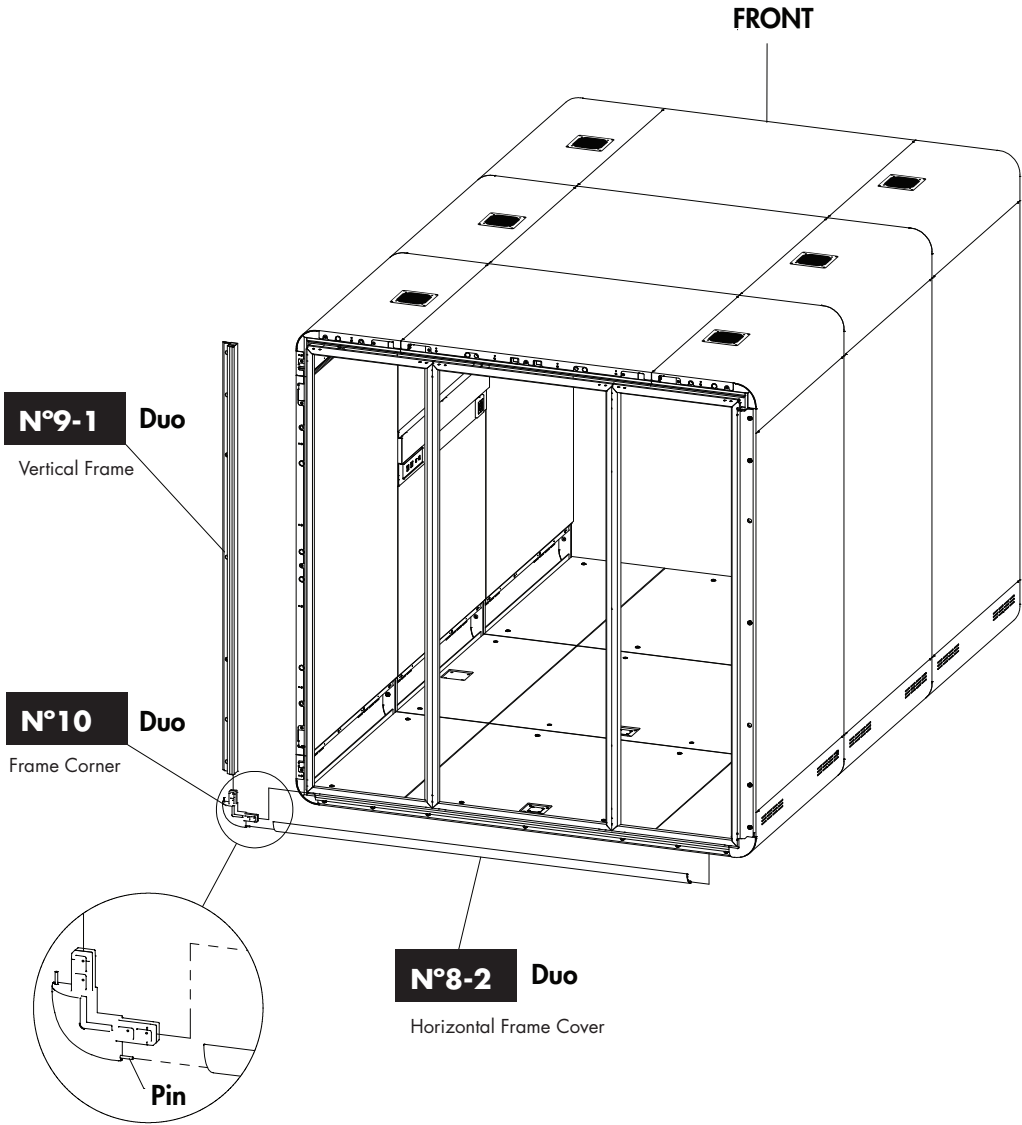




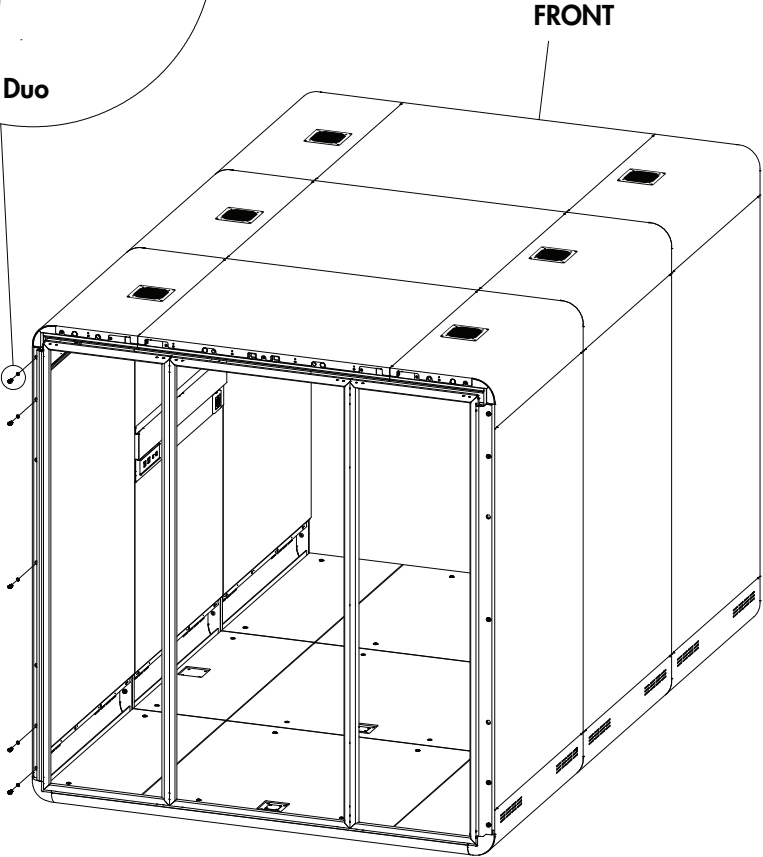
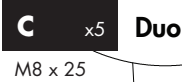
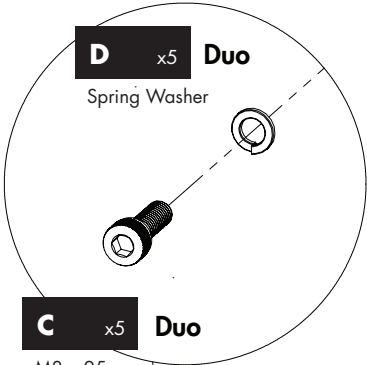
# Step 22.



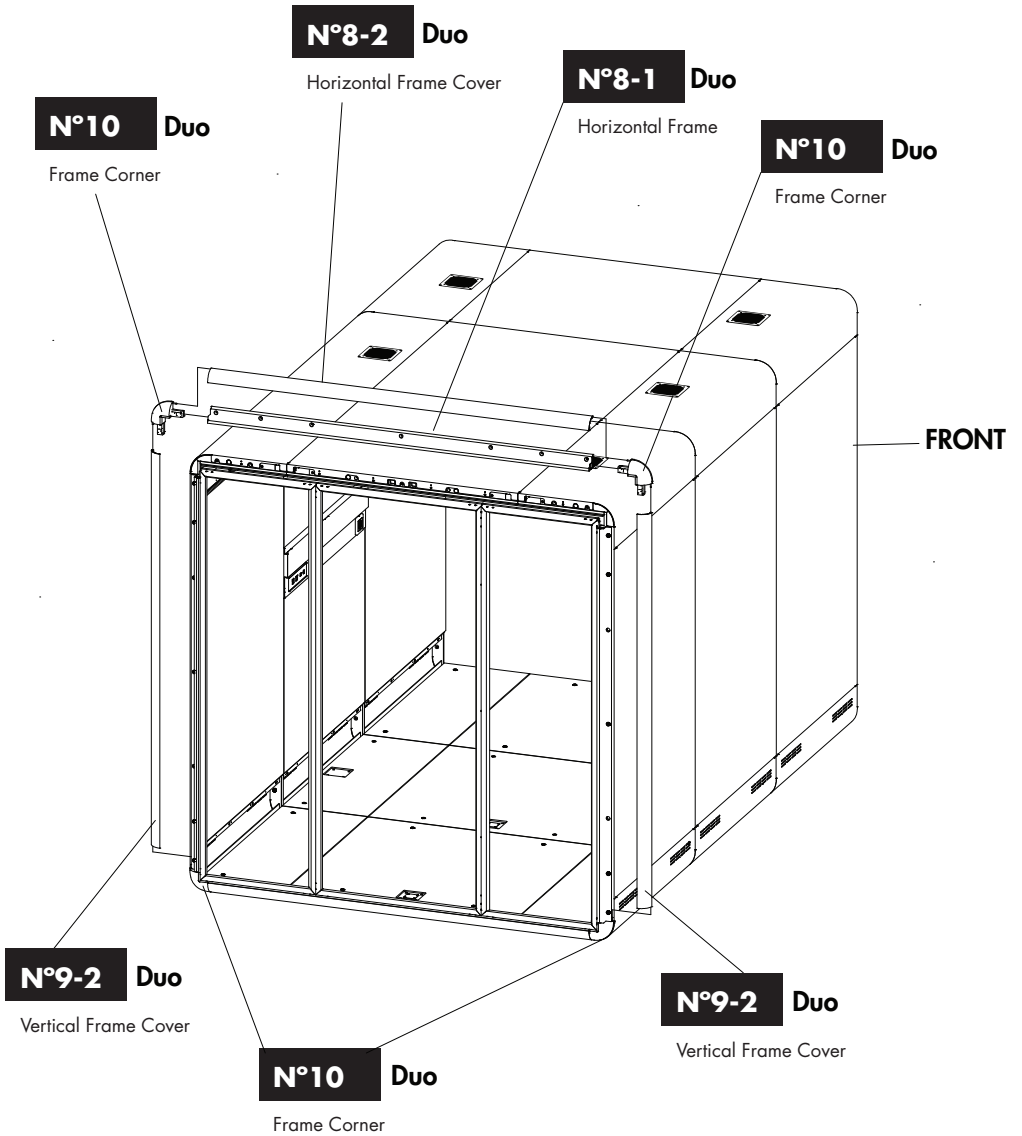
# Step 23.



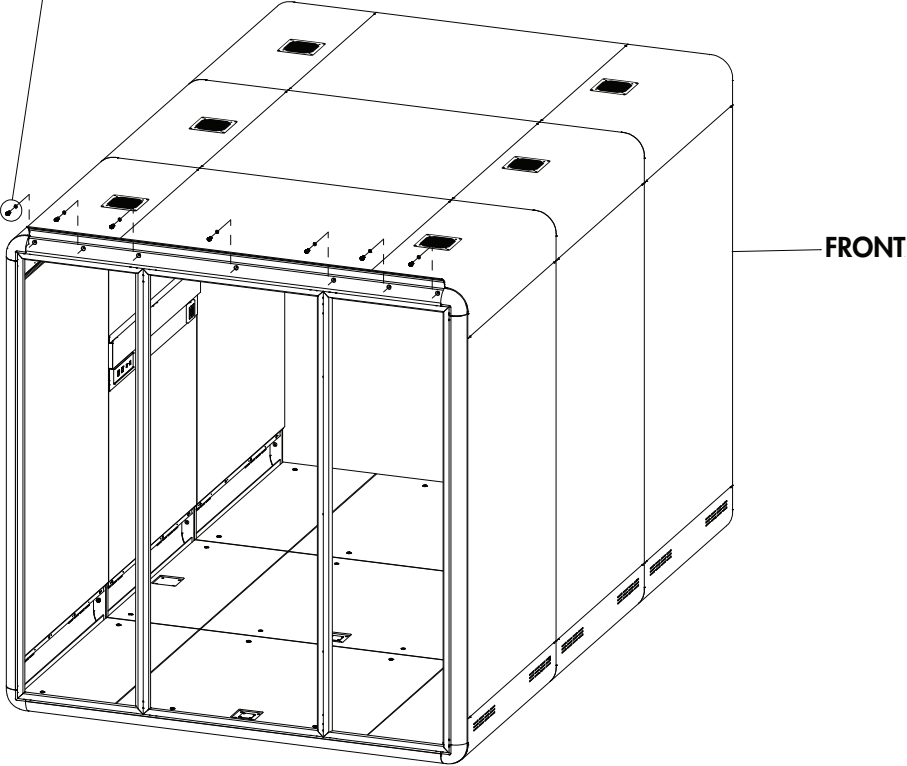
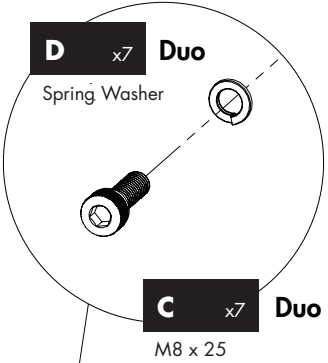
# Step 24.



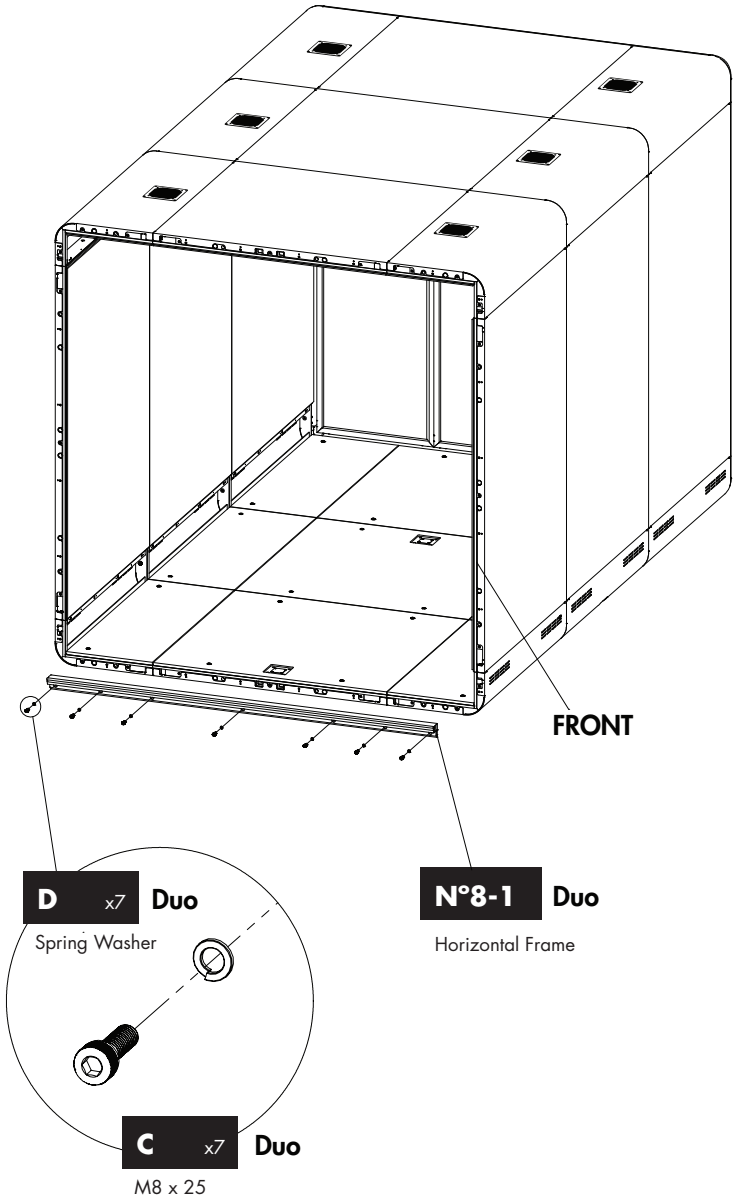
# Step 25.



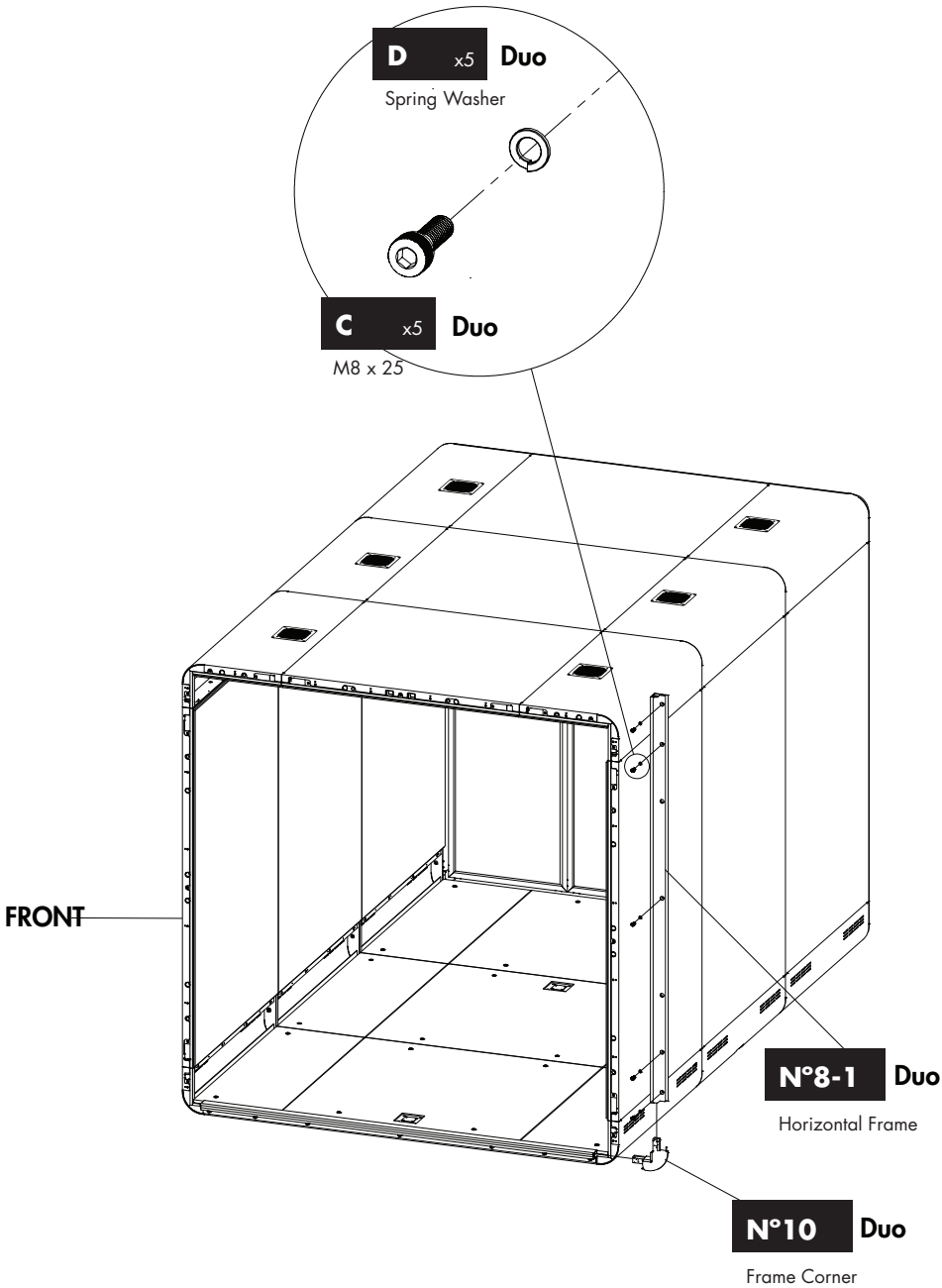
# Step 26.



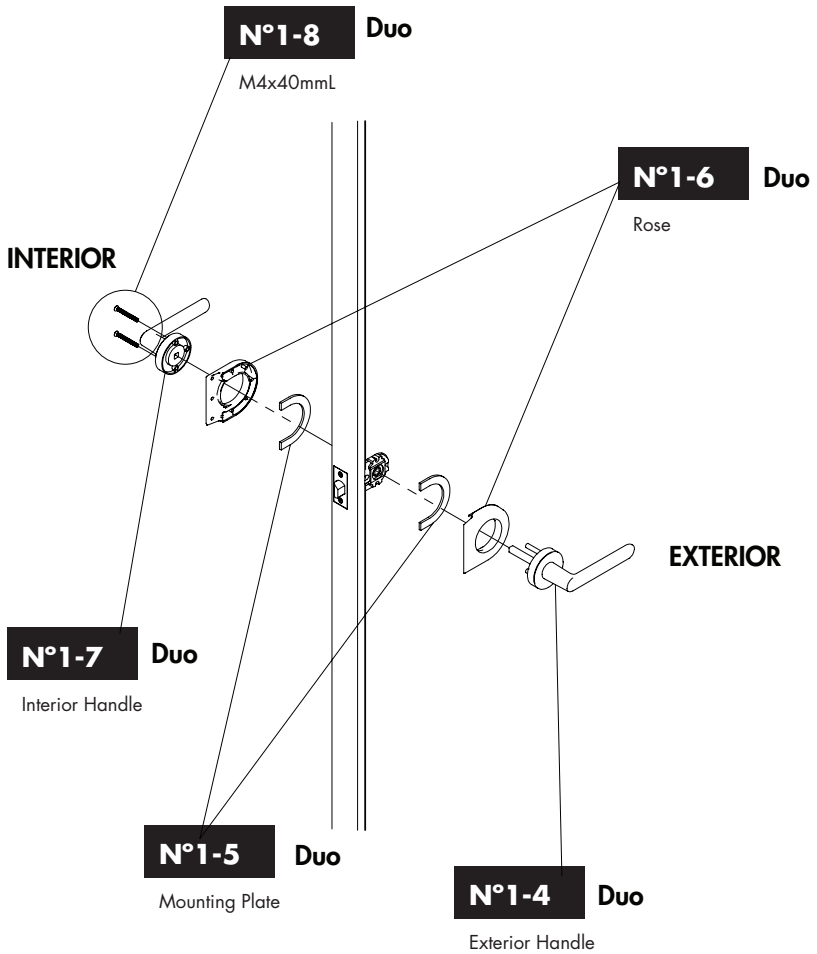
# Step 27.



# Step 28.

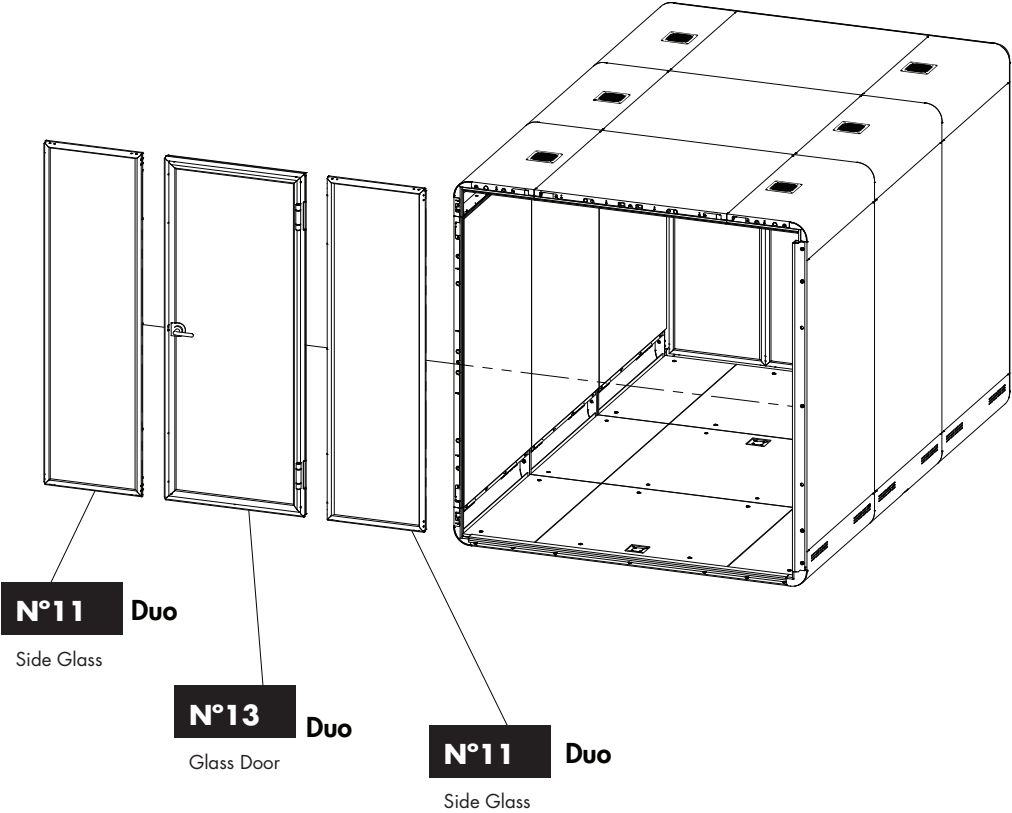


# Step 29.

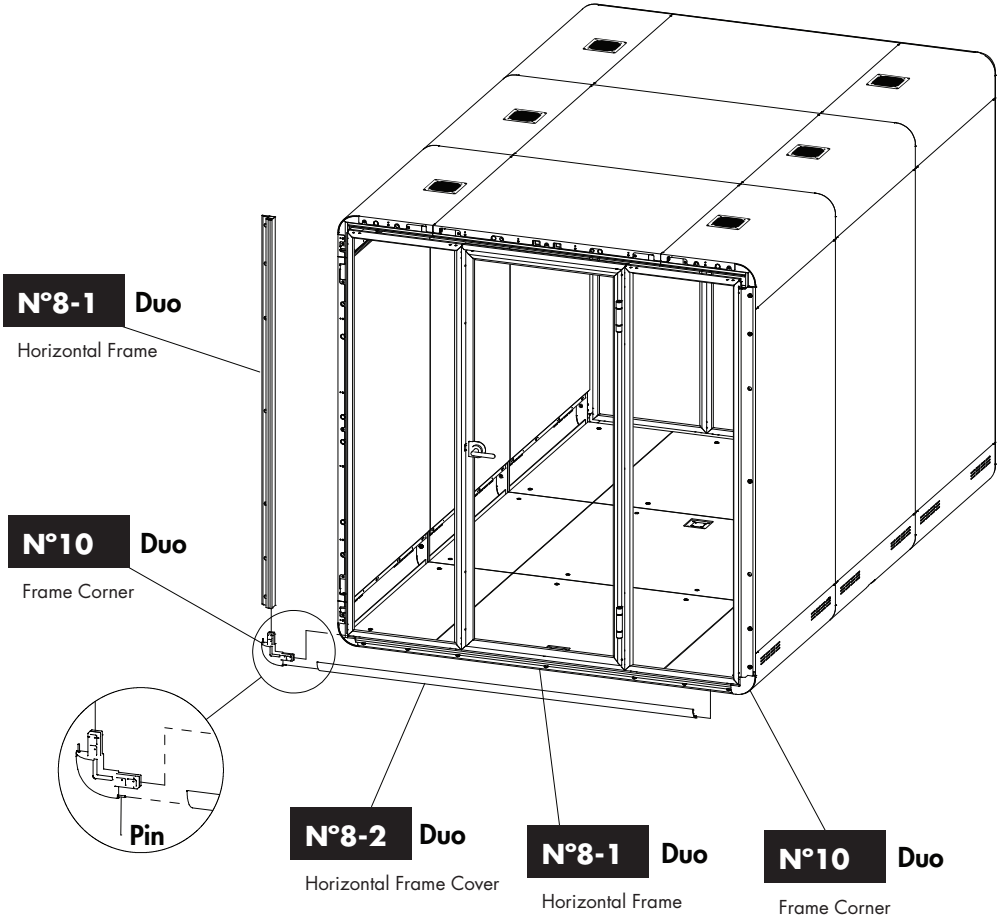




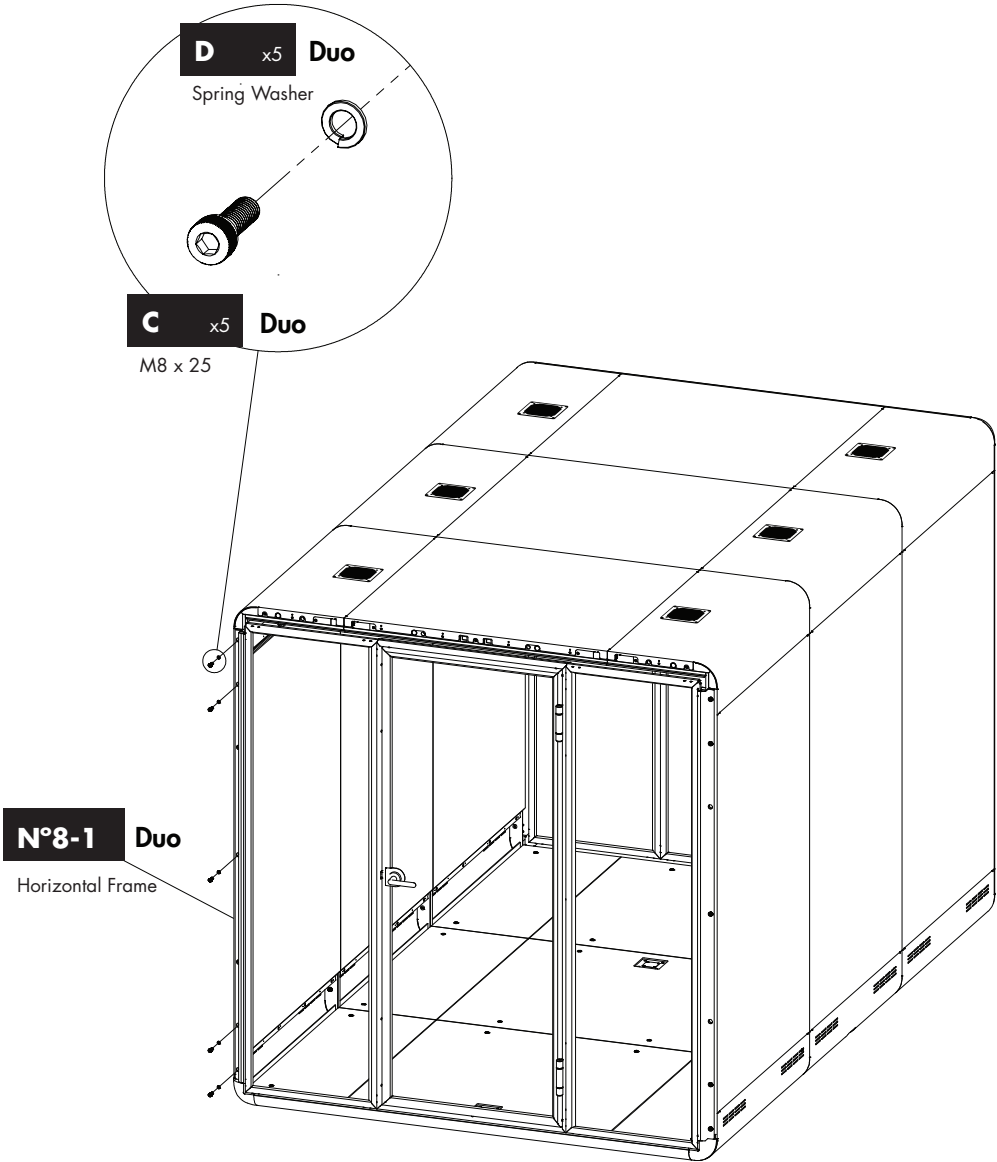
# Step 30.



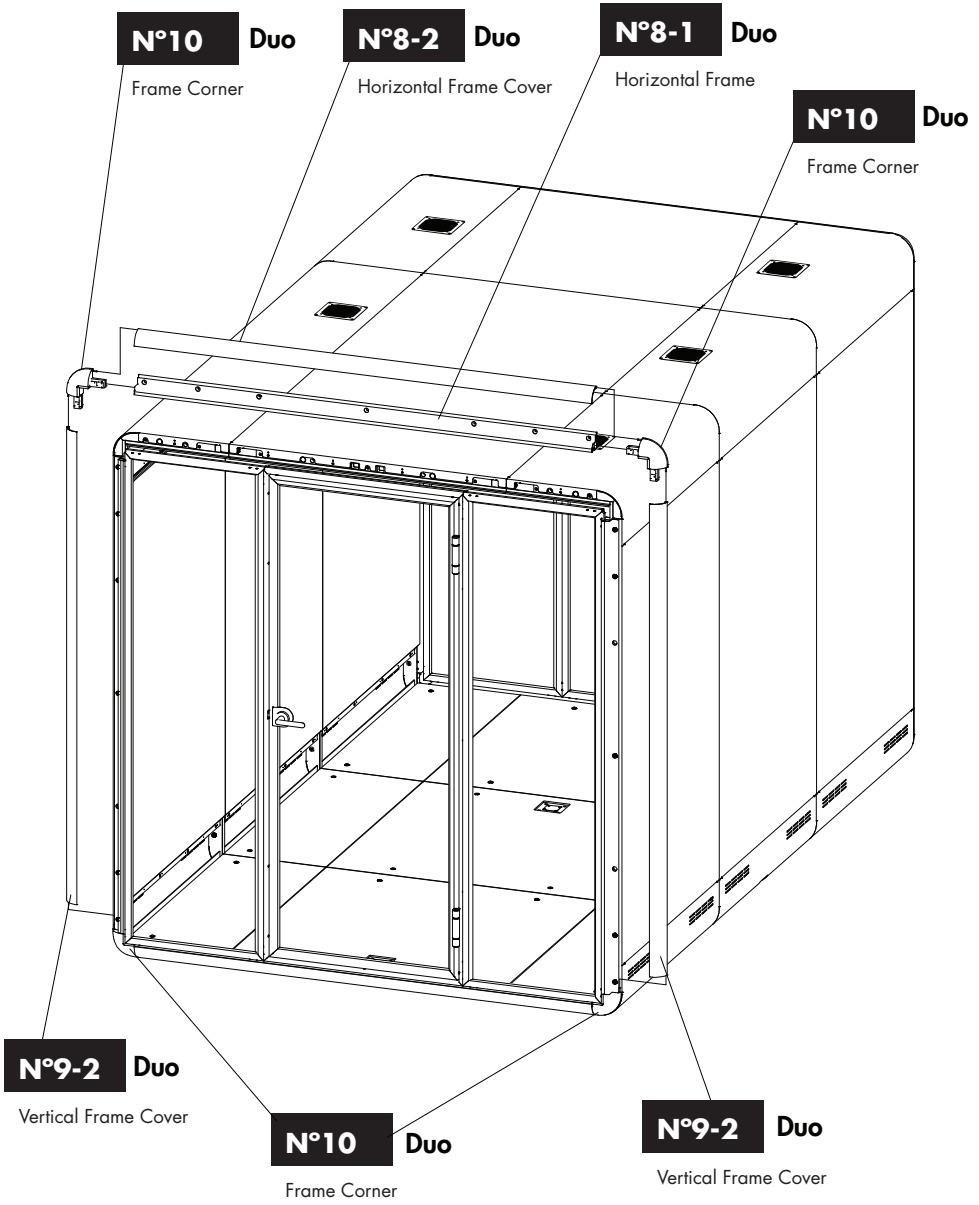
# Step 31.



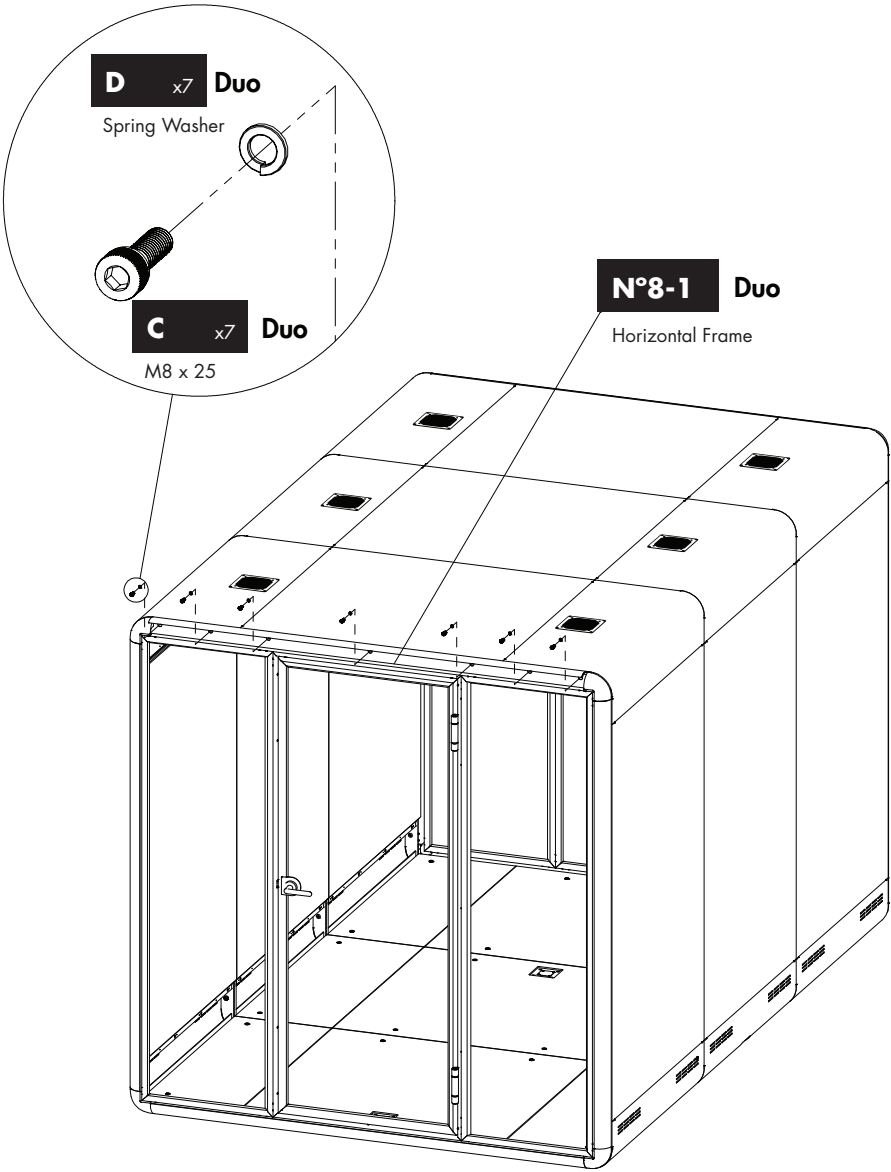
# Step 32.



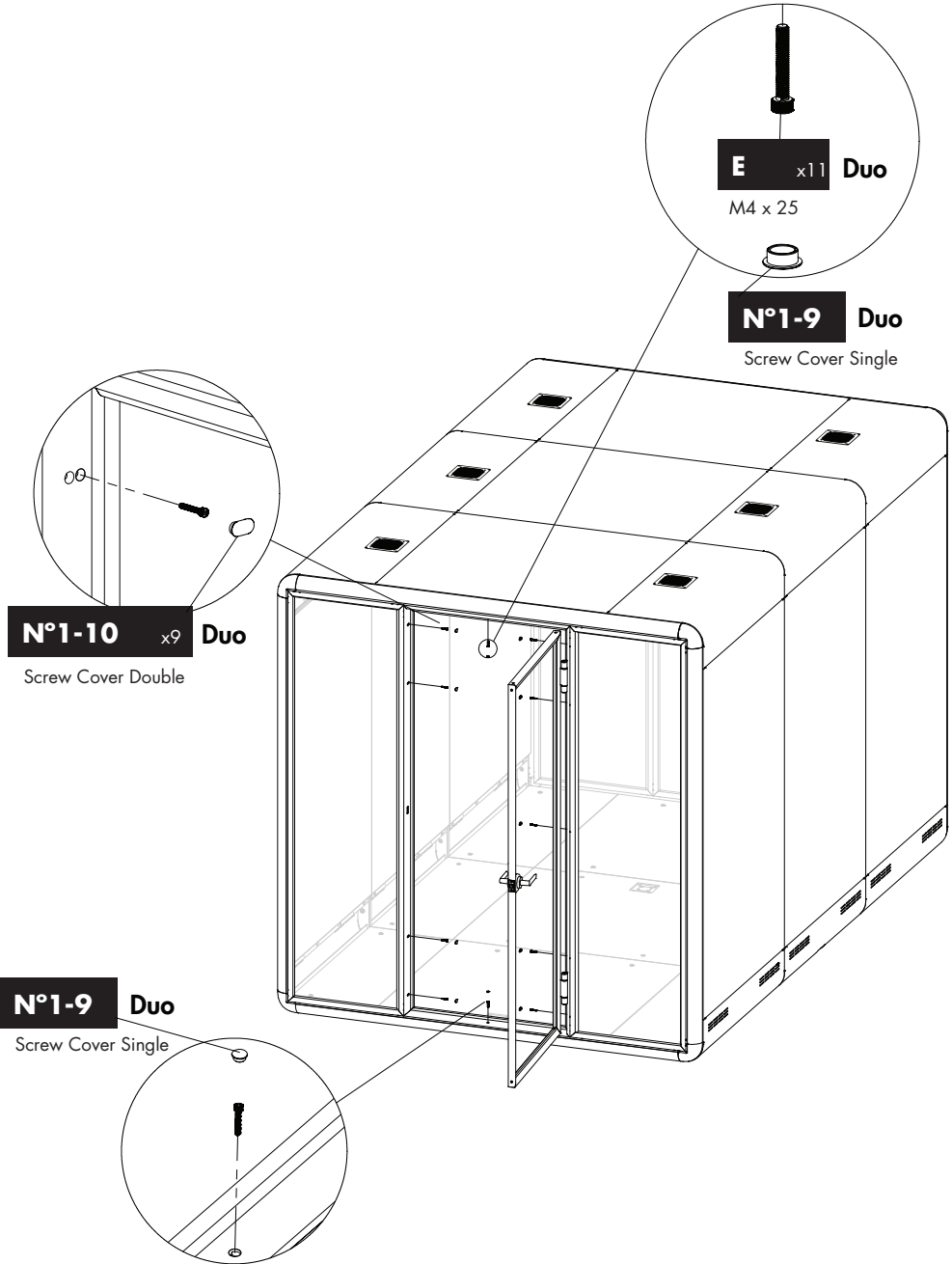
# Step 33.



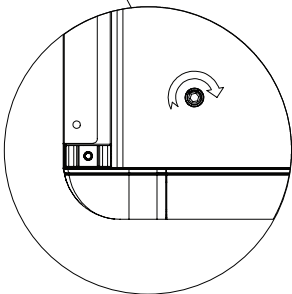
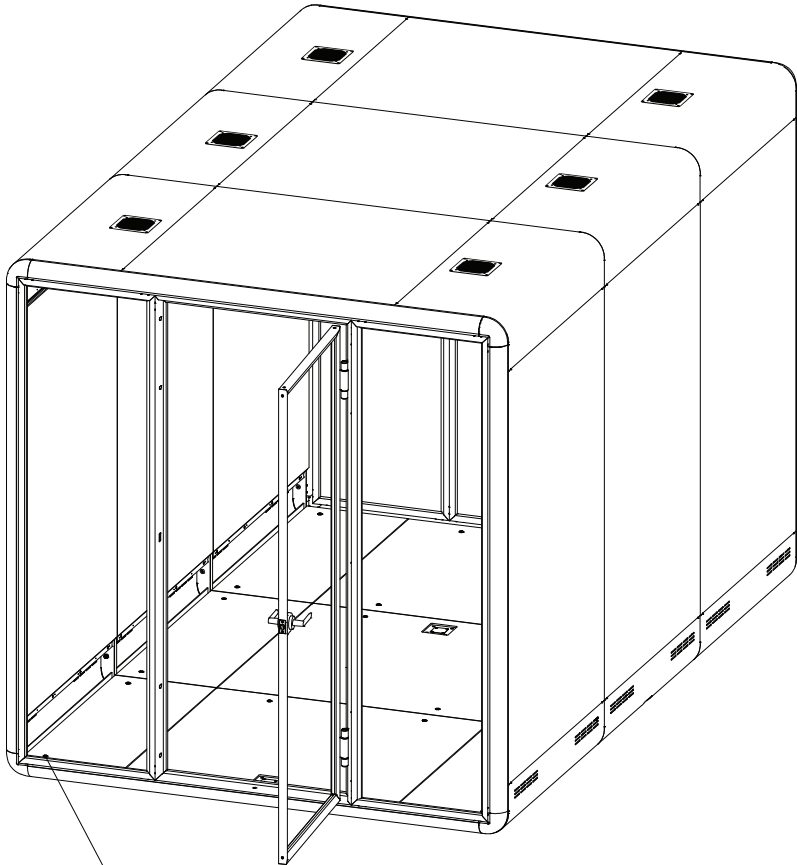
# Step 34.



# Step 35.



# Step 36.

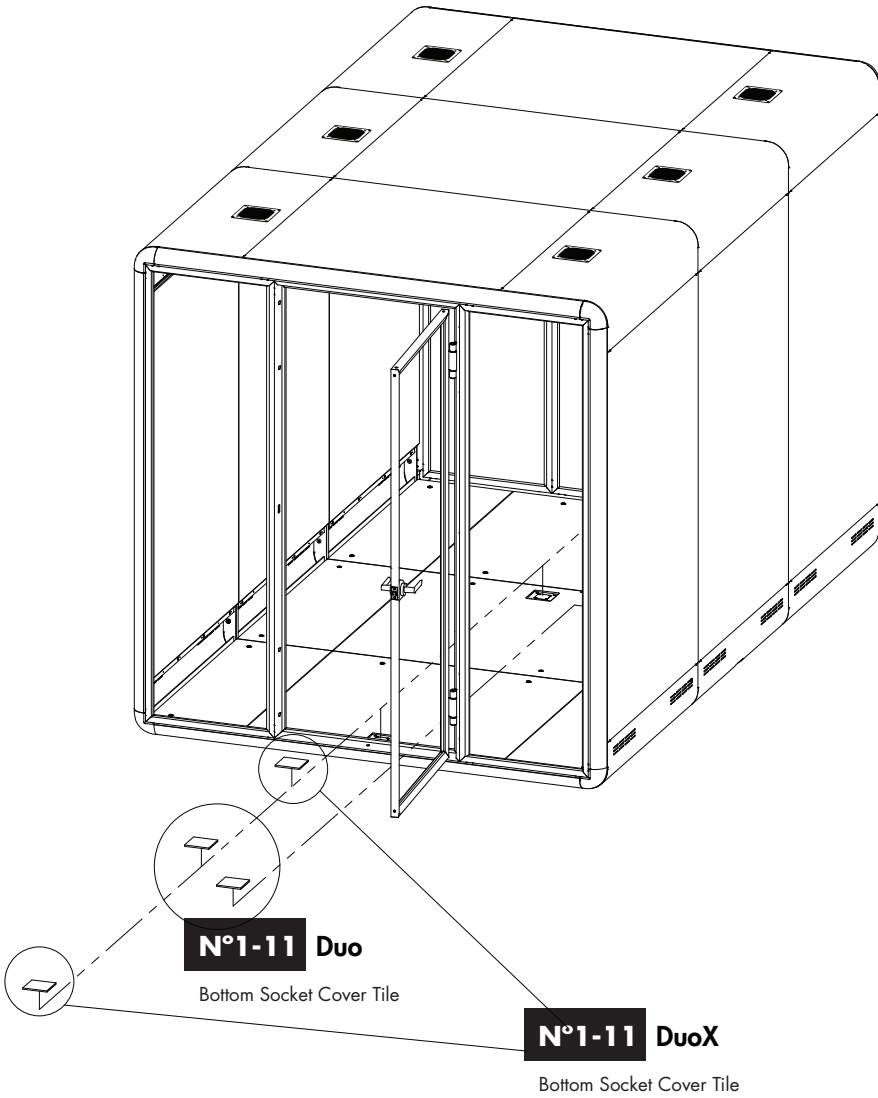


## HEADS UP



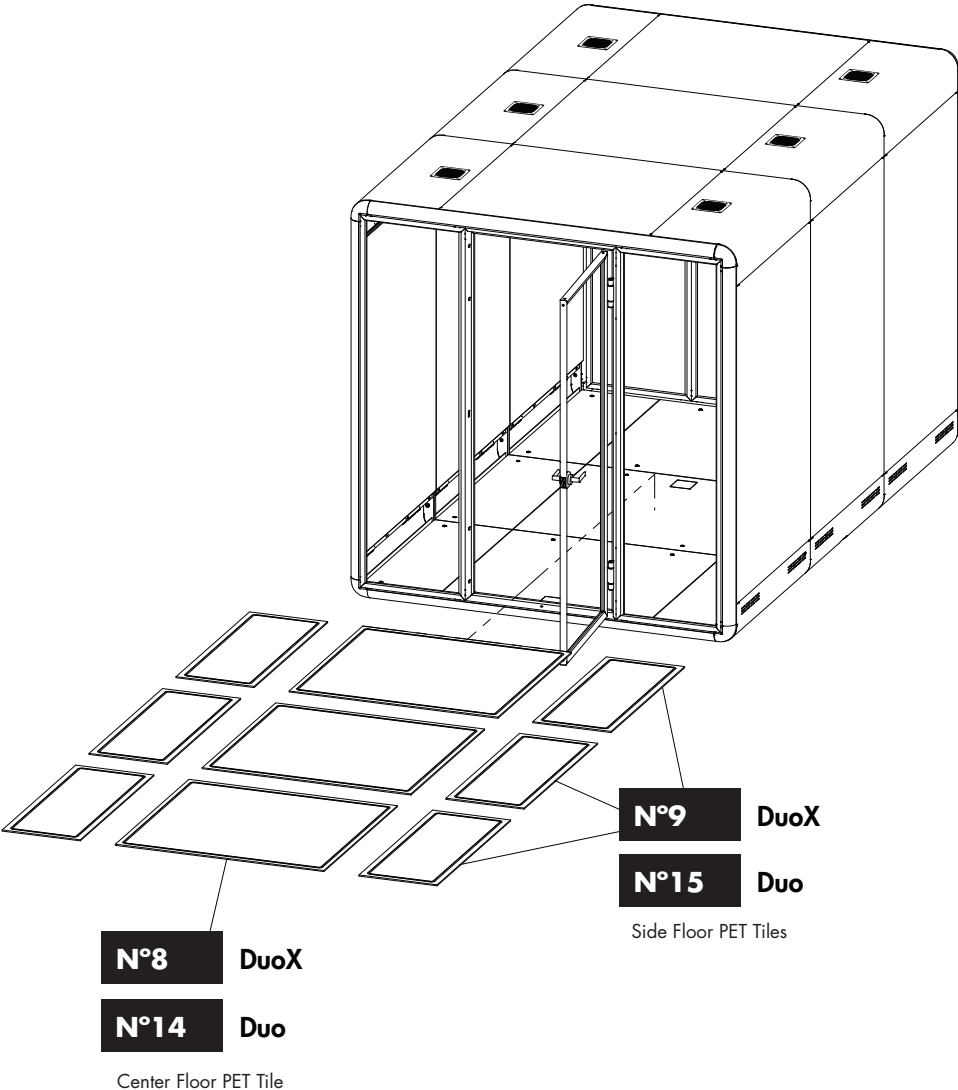
Use an allen wrench to adjust each of the 8 glides, levelling the Duo++ so that the seams and shadow-lines are square

# Step 37.

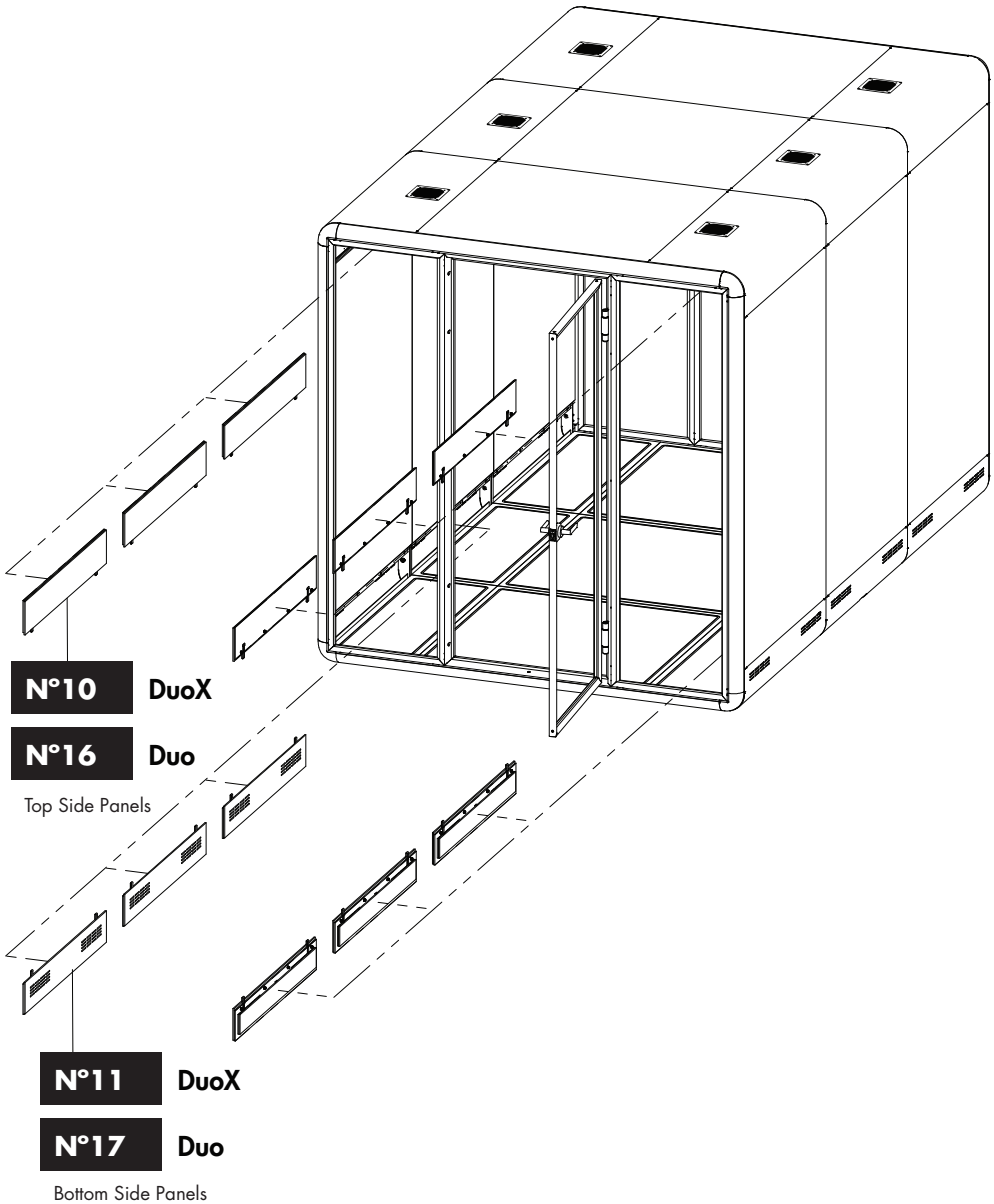


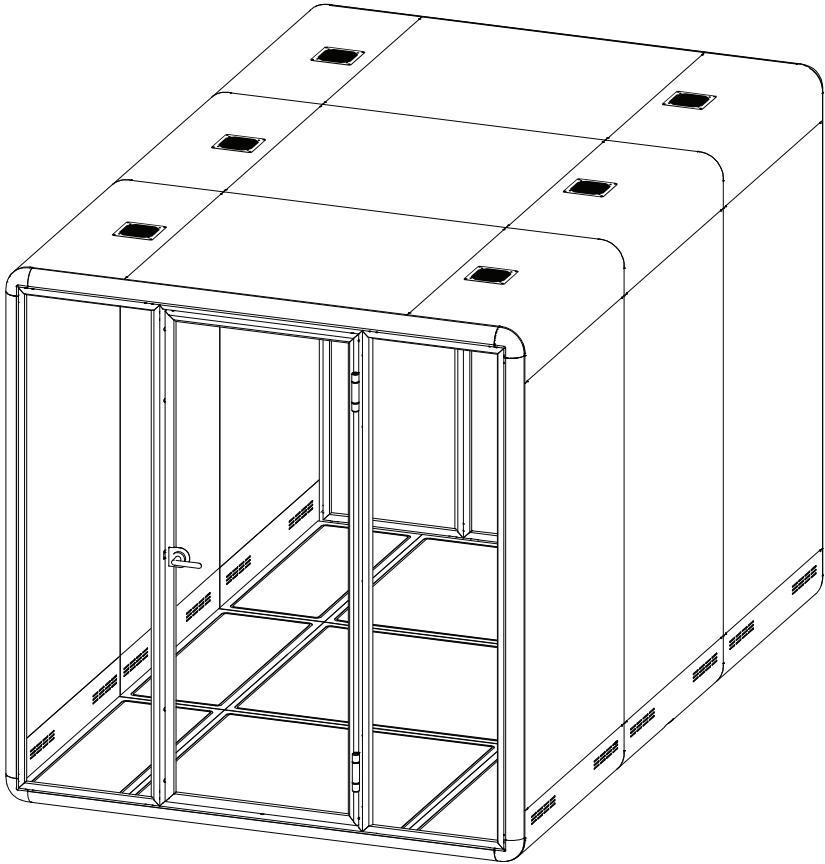


# Step 38.



# Step 39.





**workin' on dreams**