

---

# BuzziBooth

## Product Specification Sheet

---

This document contains technical information about the BuzziBooth

---







[www.buzzi.space](http://www.buzzi.space)

## Upholstered temporary workstation

There has been a big shift toward working in open-plan offices that have a loft-like feeling of home. While there are many benefits, the challenge is maintaining space to make a phone call or work quietly and independently. Designer Alain Gilles' solution is the BuzziBooth: a phonebooth made of sound absorbing felt that dampens outside sounds. Now you can have a moment alone even in the noisiest of surroundings. Micro-architecture for maxi spaces!

Design by Alian Gilles

## General

-  BuzziBooth Single | BuzziBooth Standing | BuzziBooth Targa  
Pattern: Inside: 3D Rib or 3D Diamond  
Outside: Flat
-  Structure: Poplar plywood: 18 mm | 0.71"  
Cover: Inside: acoustic foam covered with fabric  
Outside: layer of felt covered with fabric
-  Flat Packed
-  Light Panel  
Bicolor

---

## Acoustics



Absorption



Diffusion



Attenuation



Mid tones



High tones

---

## Certifications



---

## Content

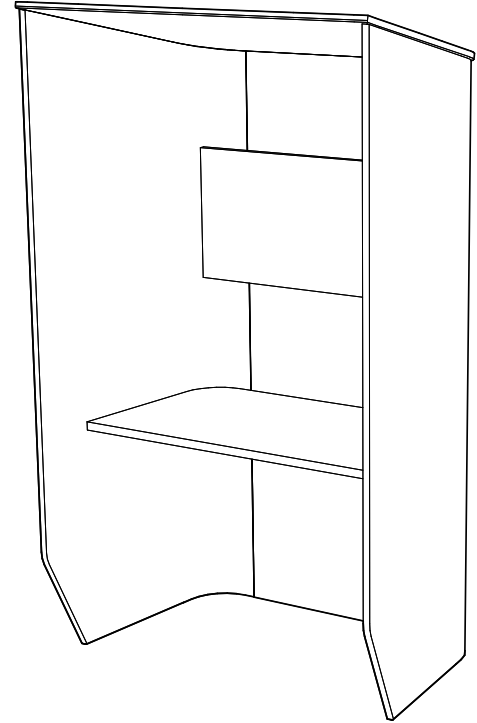
Configurations	3
Pattern	6
Fabrics	6
Dimensions	8
Dimensions Worktop	11
Option BackLight / LightPanel	13

# Configurations

---

## BuzziBooth Single

- Single
  - Pattern: Inside: 3D Rib or 3D Diamond
  - Outside: Flat
  - Worktop upholstered
  
- Core: Poplar plywood: 18 mm | 0.71"
- Cover: Inside: acoustic foam covered with fabric
- Outside: layer of felt covered with Fabric, Trevira CS+
  
- Standard: Height: 216 cm | 85.04"  
Width: 129 cm | 50.79"  
Depth: 120 cm | 47.24"
- Lightboard: Height: 43,5 cm | 17.13"  
Width: 93 cm | 36.61"
- Packaging: Height: 142,5 cm | 56.10"  
Width: 44 cm | 17.32"  
Depth: 228,5 cm | 89.96"
  
- Booth: 88 kg | 194.01 lbs
- Packaging (including Booth): 120,5 kg | 265.66 lbs
  
- LightPanel EU/ US/ UK (optional)
- Worktop Antwerp Oak
- Worktop Antwerp Oak cable tray
- Worktop White Laminate



---

## BuzziBooth Standing

Standing



Pattern: Inside: 3D Rib or 3D Diamond

Outside: Flat

Worktop upholstered

Core: Poplar plywood: 18 mm | 0.71"



Cover: Inside: acoustic foam covered with fabric

Outside: layer felt covered with Fabric, Trevira CS+

Standard: Height: 234 cm | 92.13"

Width: 129 cm | 50.79"

Depth: 120 cm | 47.24"



Lightboard: Height: 43,5 cm | 16.93"

Width: 93 cm | 36.61"

Packaging: Height: 204,5 cm | 80.51"

Width: 44 cm | 17.32"

Depth: 251,5 cm | 99.02"



Standard: 96 kg | 211.64 lbs

Lightboard: 4,8 kg | 10.58 lbs

Packaging (including Booth Standing): 147 kg | 324.08 lbs

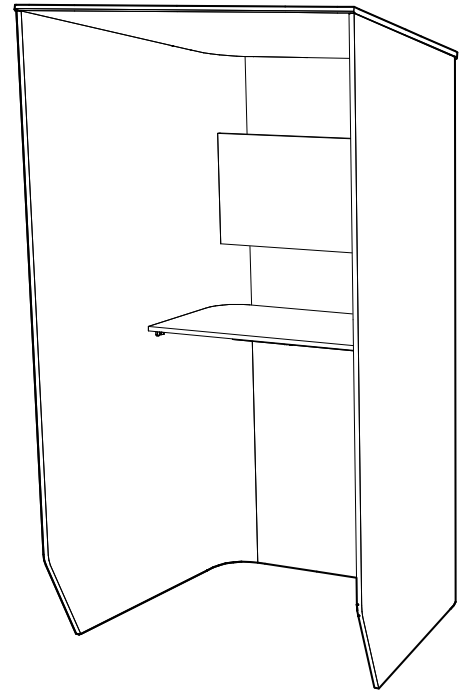
LightPanel EU/ US/ UK (optional)



Worktop Antwerp Oak

Worktop Antwerp Oak cable tray

Worktop White Laminate



---

## BuzziBooth Targa

📍 Targa Small | Medium | Large  
Pattern: Inside: 3D Rib  
Outside: Flat

Core: Poplar plywood: 18 mm | 0.71"

Cover: Inside: acoustic foam covered with fabric



Outside: layer of felt covered with fabric

H 120: Fabric, Trevira CS+ | CS, Clara 2, Remix 3, Hero,  
Tonus 4, Memory 2

H 135: Fabric, Trevira CS+

Standard: Height: 120 or 135 cm | 47.27" or 53.15"

Width: S: 130 cm | 51.18"

M: 170 cm | 66.93"

L: 210 cm | 82.68"

Depth: 115 cm | 47.24"



Packaging: Height: S: 130 cm | 51.18"

M: 170 cm | 66.93"

L: 210 cm | 82.68"

Width: 80 cm | 31.50"

Depth: 120 cm | 47.24"

Booth Targa: S: 59 kg | 130.07 lbs

M: 69 kg | 152.12 lbs

L: 79 kg | 174.17 lbs



Packaging (including Booth Targa): S: 89 kg | 196.21 lbs

M: 99 kg | 218.26 lbs

L: 109 kg | 240.30 lbs

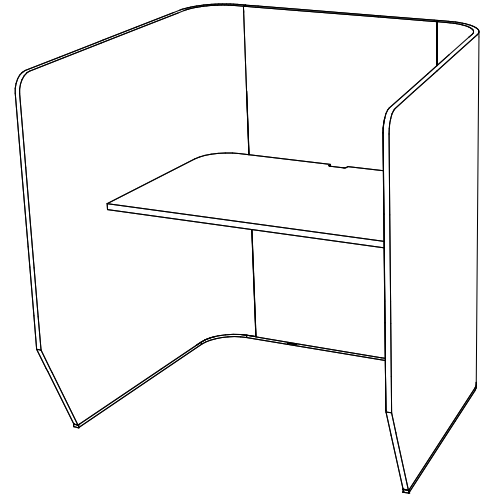
Worktop Antwerp Oak

Worktop Antwerp Oak cable tray

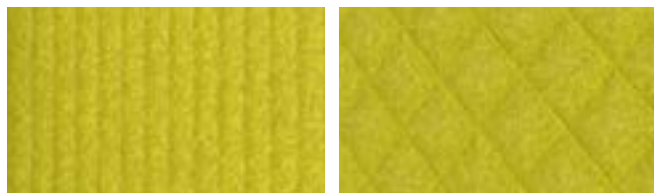


Set of 6~8 alu brackets for customer own worktop

BackLight EU/ US/ UK (optional in combination with worktop  
oak with cabletray)



# Pattern



Pattern inside:  
Booth Single | Standing: 3D Rib or 3D Diamond  
Booth Targa : 3D Rib

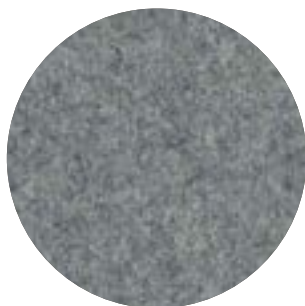
# Fabrics

**BuzziBooth Single:** Fabric, Trevira CS+

**BuzziBooth Standing:** Fabric, Trevira CS+

**BuzziBooth Targa:** Height 120: Fabric, Trevira CS+ | CS, Clara 2, Remix 3, Hero, Tonus 4, Memory 2  
Height 135: Fabric, Trevira CS+

## Fabric



**Category A**

**Composition** 70% Recycled Wool, 25% Recycled Polyacryl,  
5% Recycled Other Fabrics

**Weight** 405 g/m<sup>2</sup> | 11.94 oz/yd<sup>2</sup>

**Abrasion resistance** 40.000 Martindale, 50,000 Wyzenbeek

**Flammability** EU: EN 1021.1/2006 | BS EN 1021.1/2006 (cigarette).  
EN 1021.2/2006 | BS EN 1021.2/2006 (match)  
USA: CAL TB 117 | ASTM E84 CLASS A

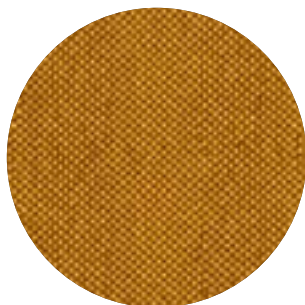
**Fastness to light** EU: 4 | USA 4

**Fastness to rubbing** EU: Wet 3-4 | Dry 4-5

**Fastness to crocking** USA: Wet 5 | Dry 5



## Trevira CS+ | CS



**Category A**

**Weight** 420 g/m<sup>2</sup> | 12.39 oz/yd<sup>2</sup>

**Composition** 100% Polyester, Trevira CS

**Abrasion resistance** 100.000 Martindale, 90,000 Wyzenbeek

**Flammability** BS 5852 part II: CRIB 5 | BS 7176 Medium Hazard  
USA: CAL TB 117 | M1 | B1 | EN 1021/1-2 | C1 |  
IMO Res. A652 (16)

**Fastness to light** EU: 6 | USA 5

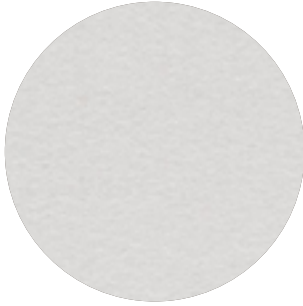
**Fastness to rubbing** EU: Wet 4-5 | Dry 4-5

**Fastness to crocking** USA: Wet 5 | Dry 5



## Hero

kvadrat



**Category C**

**Composition** 96% new wool, 4% nylon

**Weight** 580 g/lin.m

**Abrasion resistance** 45.000 Martindale rubs, EN ISO 12947

**Flammability** EN 1021-1/2 | DIN 4102 B2 | NF D 60 013  
UNI 9175 1IM | US Cal. Bull. 117-2013 | NFPA 260  
IMO A.652 (16)

**Fastness to light** Note 5-6, ISO 105-B02

**Fastness to rubbing** (ISO) dry 4-5, wet 4-5

**Pilling** Note 3-4, EN ISO 12945



## Tonus 4

kvadrat



**Category D**

**Composition** 90% new wool, 10% Helanca

**Weight** 665 g/lin.m

**Abrasion resistance** 100.000 Martindale rubs, EN ISO 12947

**Flammability** EN 1021-1/2 | BS 5852 part 1 | DIN 4102 B2  
Önorm B1/Q1 | NF D 60 013 | UNI 9175 1IM  
US Cal. Bull. 117-2013 | NFPA 260 | IMO A.652 (16)

**Fastness to light** Note 5-7, ISO 105-B02

**Fastness to rubbing** (ISO) dry 3-5, wet 3-5

**Pilling** Note 3, EN ISO 12945



## Memory 2

kvadrat



**Category E**

**Composition** 100% Trevira CS

**Weight** 700 g/lin.m

**Abrasion resistance**

35.000 rubs acc. to the Martindale method, EN ISO 12947

**Flammability** EN 1021-1/2 | DIN 4102 B1 | Önorm B1/Q1  
NF D 60 013 | NF P 92 507 M1 | UNI 9175 1IM  
UNI 9177 classe 1 | US Cal. Tech. Bull. 117  
IMO A.652 (16)

**Fastness to light** Note 5-8, ISO 105-B02

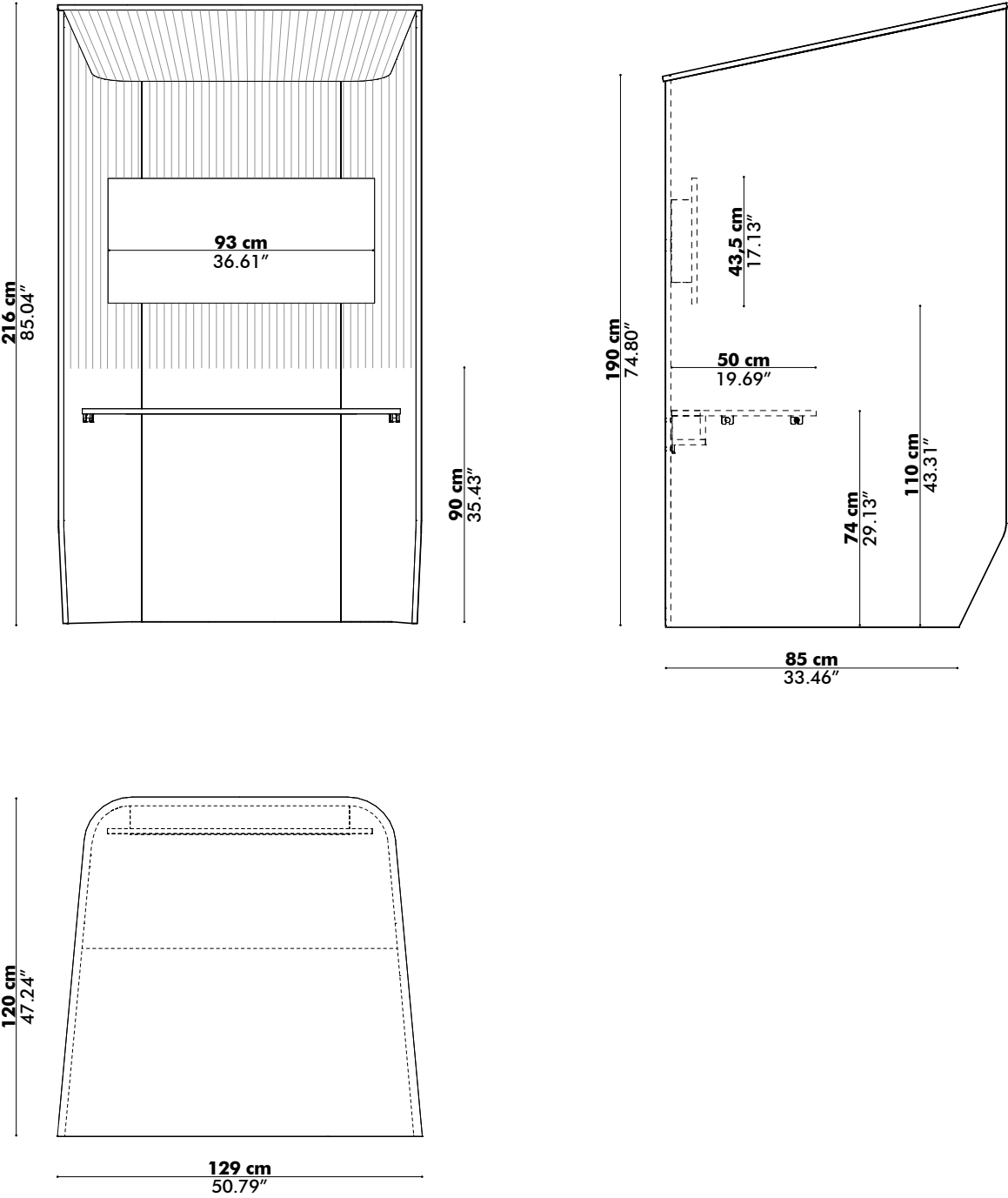
**Fastness to rubbing** (ISO) dry 4-5, wet 4-5

**Pilling** Note 4, EN ISO 12945



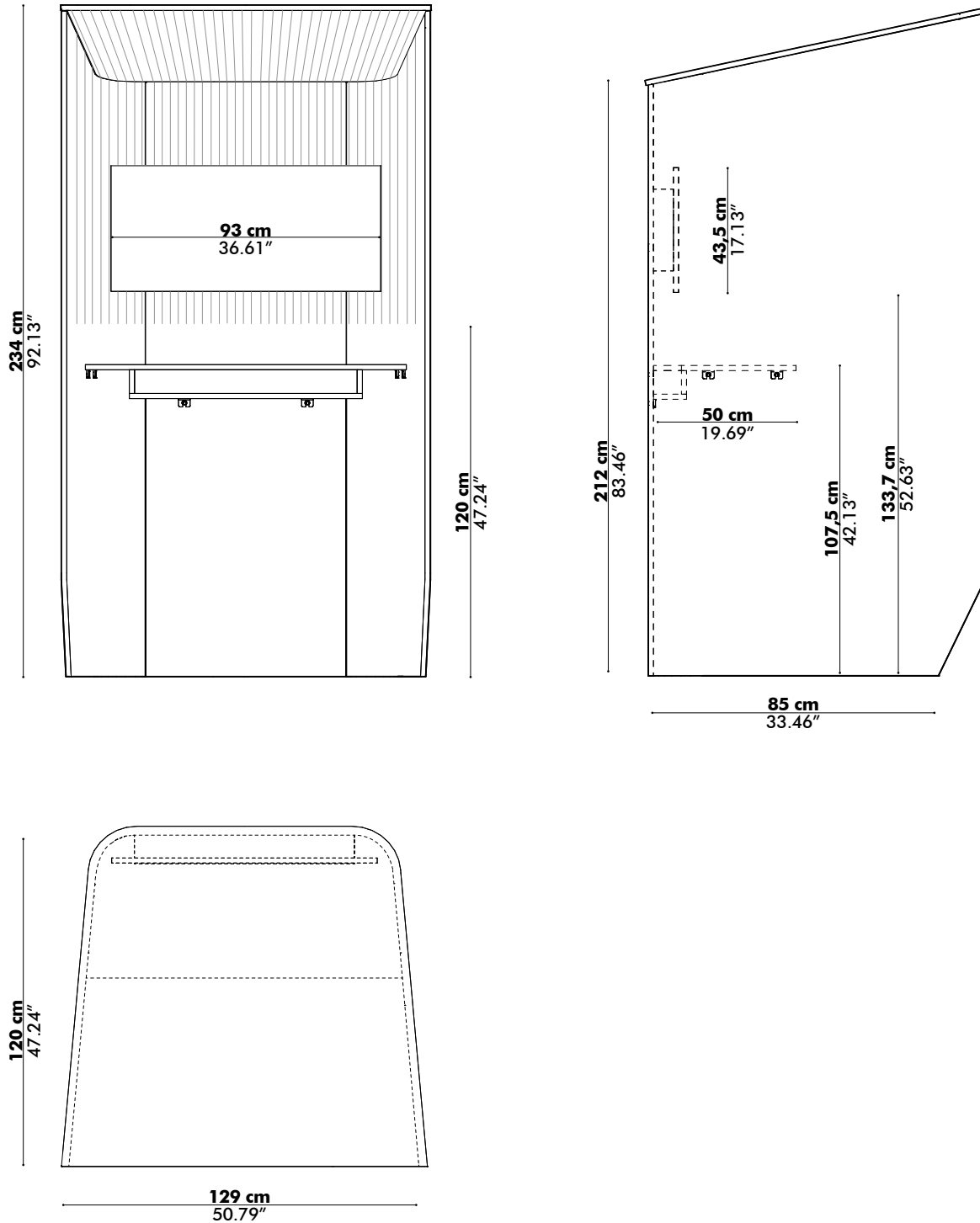
# Dimensions

## BuzziBooth Single

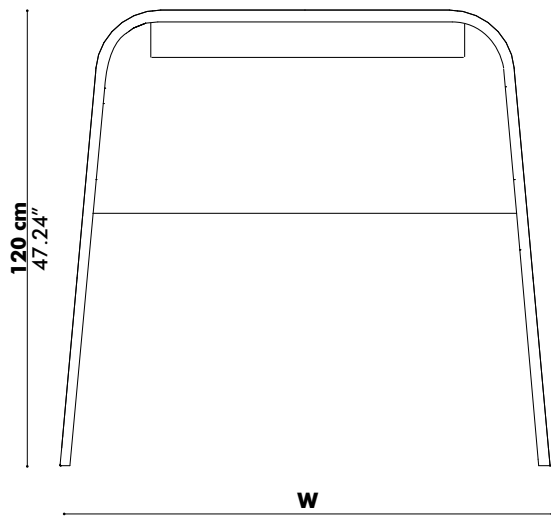
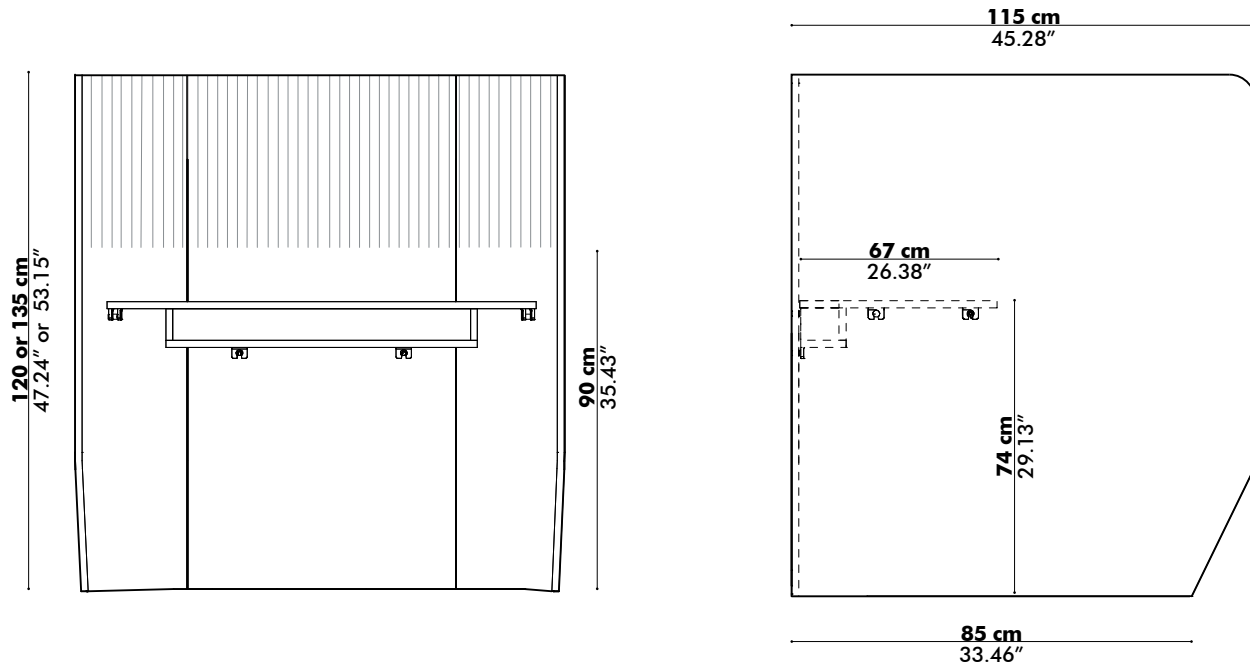




# BuzziBooth Standing



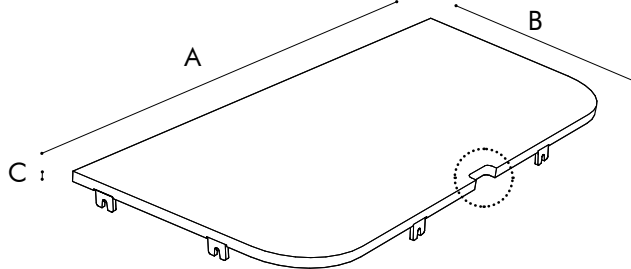
# BuzziBooth Targa



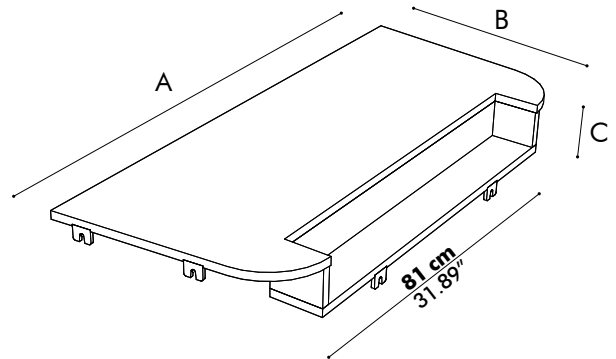
	Small	Medium	Large
<b>W = Width</b>	130 cm 51.18"	170 cm 66.93"	210 cm 82.68"

# Dimensions Worktop

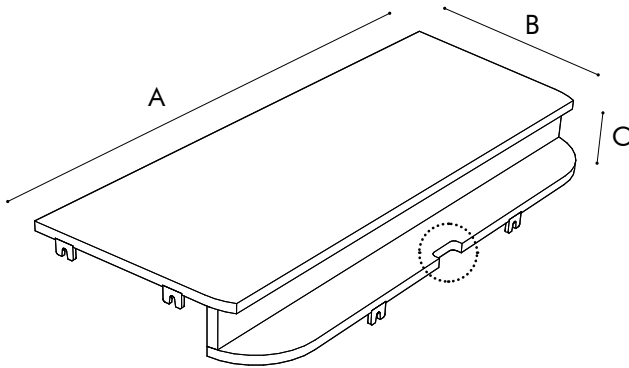
Worktop in Antwerp Oak | White Laminate  
without cabletray



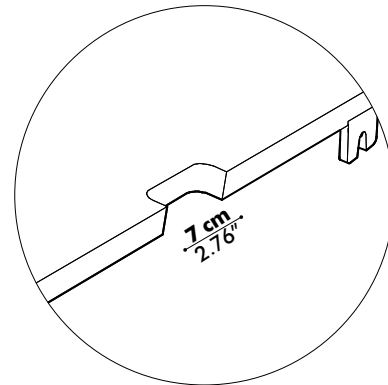
Upholstered worktop with cabletray  
(Not for Targa)



Worktop in Antwerp Oak  
with cabletray



Detail



## BuzziBooth Single | Standing

	'A' Width	'B' Depth	'C' Height	Weight
<b>Upholstered worktop with cabletray</b>	110 cm 43.31"	50 cm 19.69"	12 cm 4.72"	5,4 kg 11.90 lbs
<b>Worktop in White Laminate- without cabletray</b>	110 cm 43.31"	50 cm 19.69"	2 cm 0.79"	7,6 kg 16.76 lbs
<b>Worktop in Antwerp Oak* without cabletray</b>	110 cm 43.31"	50 cm 19.69"	2 cm 0.79"	8 kg 17.64 lbs
<b>Worktop in Antwerp Oak* with cabletray</b>	110 cm 43.31"	50 cm 19.69"	12 cm 4.72"	10,3 kg 22.71 lbs

\*These solid wood worktops may contain knots, natural color variations and drying splits as normal features of the product. This contributes to the uniqueness of each worktop.

---

## BuzziBooth Targa

	<b>'A' Width</b>	<b>'B' Depth</b>	<b>'C' Height</b>	<b>Weight</b>
<b>Worktop in Antwerp Oak* with cabletray</b>	<b>S</b> 110 cm 43.31"	67 cm 26.38"	12 cm 4.72"	<b>S</b> 10,3 kg 22.71 lbs
	<b>M</b> 150 cm 59.06"			<b>M</b> 14,02 kg 30.91 lbs
	<b>L</b> 190 cm 74.80"			<b>L</b> 28,04 kg 61.82 lbs
<b>Worktop in Antwerp Oak* without cabletray</b>	<b>S</b> 110 cm 43.31"	67 cm 26.38"	2 cm 0.79"	<b>S</b> 8 kg 17.64 lbs
	<b>M</b> 150 cm 59.06"			<b>M</b> 10,88 kg 23.99 lbs
	<b>L</b> 190 cm 74.80"			<b>L</b> 21,76 kg 47.97 lbs

\*These solid wood worktops may contain knots, natural color variations and drying splits as normal features of the product. This contributes to the uniqueness of each worktop.

# Option BackLight / LightPanel

## General

- 💡 Connectable integrated LED tube
- 🌲 Material: Aluminum body, Clear PC cover
- LED: SMD 3014
- 💡 Color temperature: 3000 Kelvin
- Input Voltage / Frequency: 100 - 277 V 50/60Hz



---

## Certifications

cULus Listed E471267 or ETL Certified  
CE

---

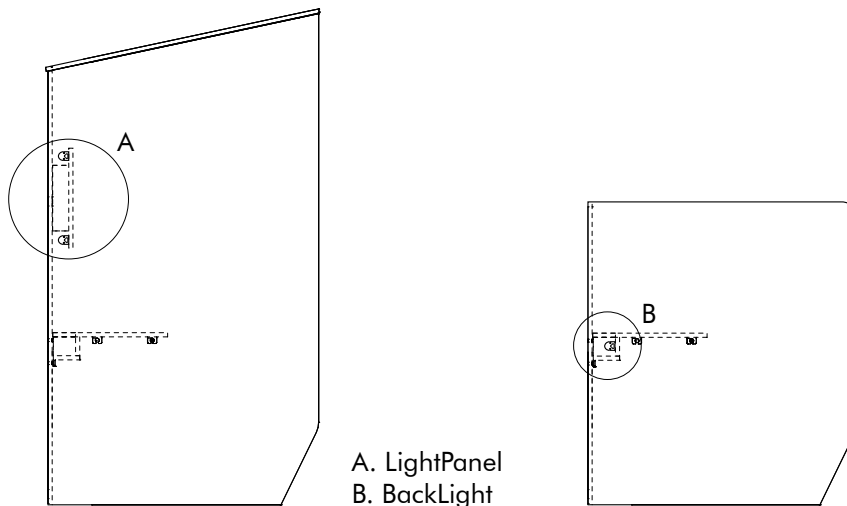
## Specifications per element

Wattage: 7W / element  
Lumen: 700 ±10% / element  
Length: 55,5 cm - 21.85" / element  
1 On-Off switch / element

---

## Accessories

Power cable: White  
4 m – 157.48"  
Type B Plug (US, ... ), Type G Plug (UK, ...) or Schuko Plug (BE, NL,...)  
Mounting clips  
Connector accessories



A. LightPanel  
B. BackLight

---

## BuzziBooth

	Single	Standing	Targa		
			Small	Medium	Large
<b>Qty LED tubes</b>	2	2	1	2	2
<b>Total wattage</b>	14W	14W	7W	14W	14W
<b>LED tube dimensions</b>	2x 55,5 cm 2x 21.85"	2x 55,5 cm 2x 21.85"	2x 55,5 cm 2x 21.85"	2x 111 cm 2x 43.70"	2x 111 cm 2x 43.70"
<b>Total lumen</b>	700 up 700 down	700 up 700 down	700	1400	1400
<b>Power cable (4 m)</b>	1	1	1	1	1
<b>Configuration</b>	<b>A</b>	<b>A</b>	<b>B</b>	<b>C</b>	<b>C</b>

---

## Configurations

- A** Two LED tube elements linked by a 50 cm - 19.69" connection cable, located behind the light panel, positioned on top and bottom of the light panel. LED tubes are pre-installed onto the light panel.
- B** A LED tube element located inside the cable tray. LED tube needs to be installed by the customer.
- C** Two LED tube elements connected with a connector create a double length LED tube, located inside the cable tray. LED tube needs to be installed by the customer.