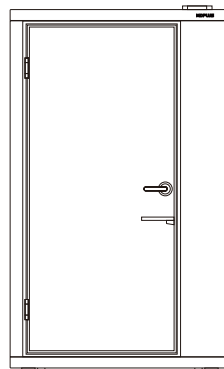


MILLI SIT



Rolling Install

Assembly Instructions.

acoustic collection - milli sit
[left hand open - outlet on right - without sofa - type A/B]

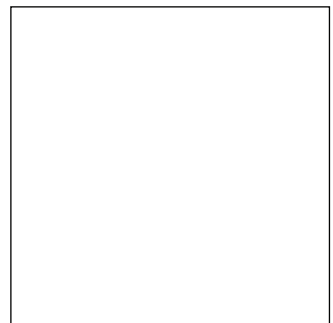
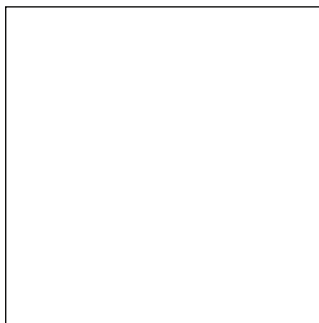
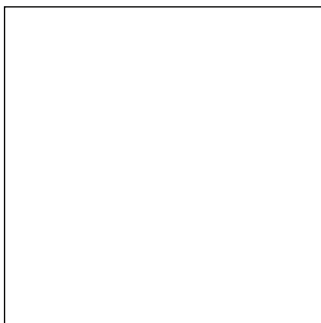
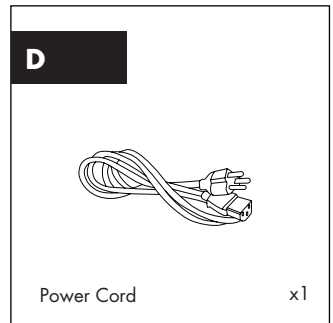
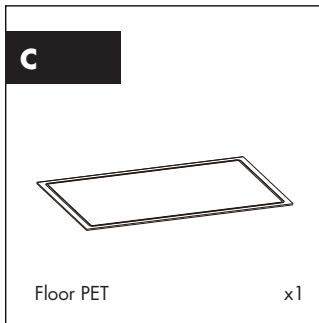
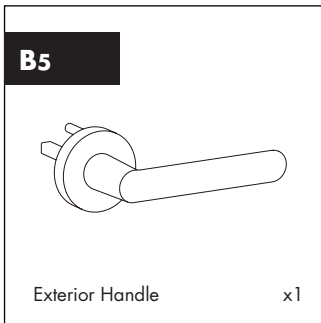
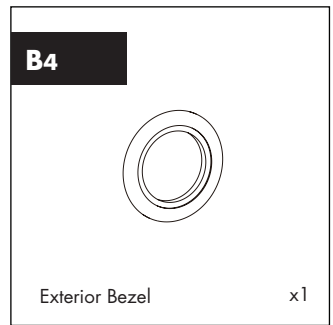
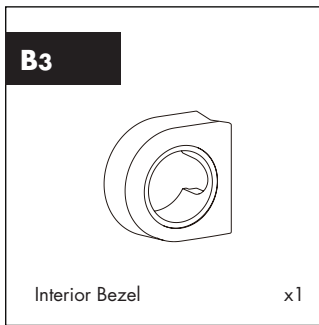
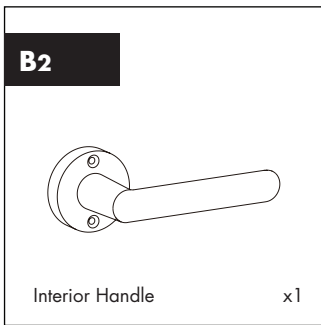
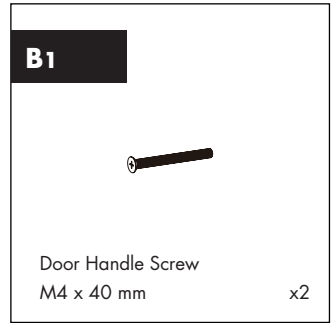
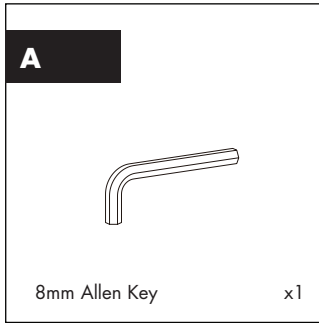
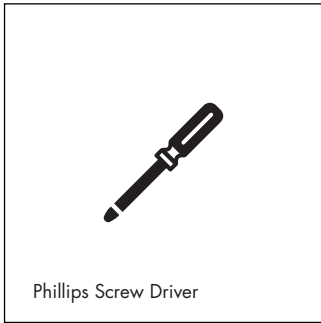
koplus b.v. | koplus.eu
info@koplusbrand.com

version211222

Before we start, here are some things to be aware of:

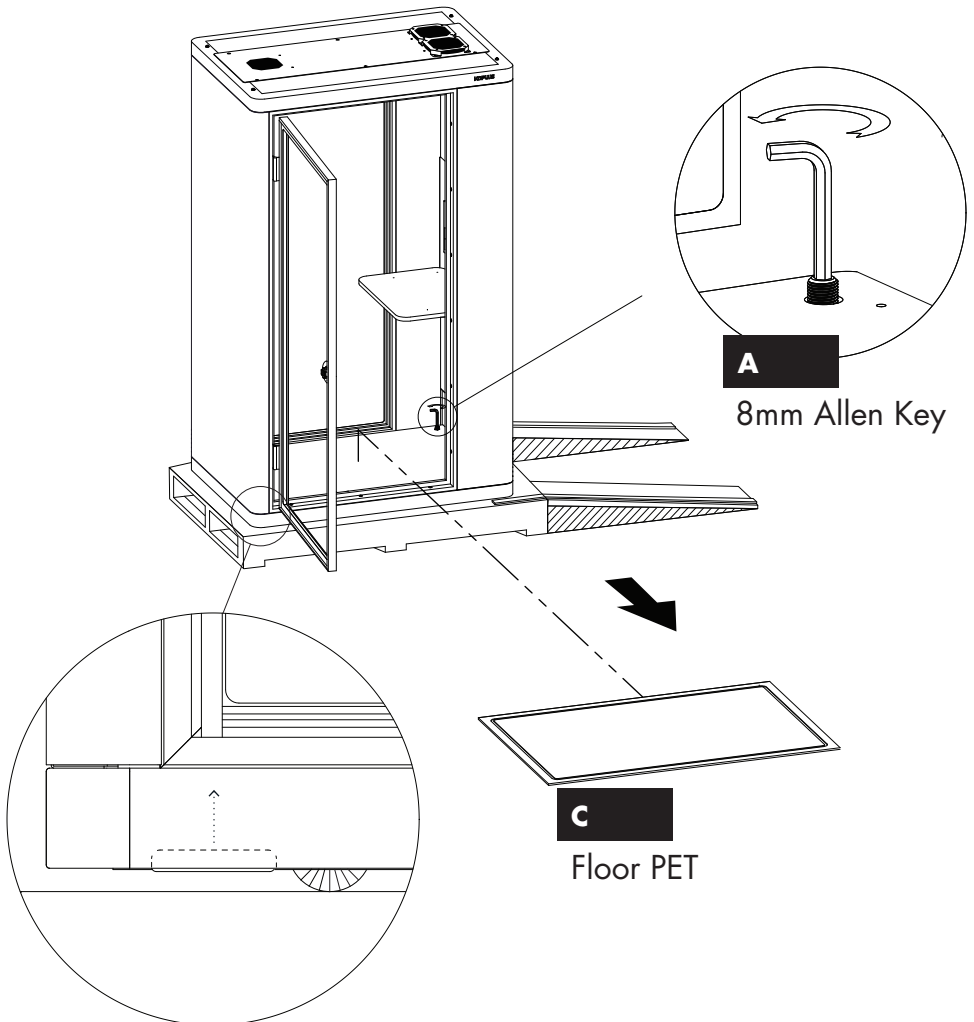
1. This is the rolling install instruction for left hand opening door **Milli Sit** without sofa.
2. The fully assembled **Milli Sit** unit weights 245kg and will require 2-3 persons to install.
3. Please install with caution and make sure that the installation site is protected to prevent any injuries or risks of damaging the product and surrounding.
4. The fully assembled **Milli Sit** can be repositioned by retracting its four levelling feet and moved with its bottom rollers. When moving the unit, DO NOT push the unit against the rollers' direction! You may risk tipping **Milli Sit** or damaging its rollers.
5. Make sure you have all the required tools listed (pg. 03)
6. We recommend leaving at least 30cm of space between the wall or between multiple units of **Milli Sit**.
7. Make sure that the **Milli Sit** power source can safely load 10amp. When the ventilation is on, LED light is at its full lamination, and the power charging station is not in use, the wattage usage is 14W. The power cord fuse is set at 7amp to prevent overloading.
8. **Milli Sit** comes with 2 AC power outlets and 2 USB charging outlets. DO NOT plug in any electronic devices that uses over 5amp.

Required Tools



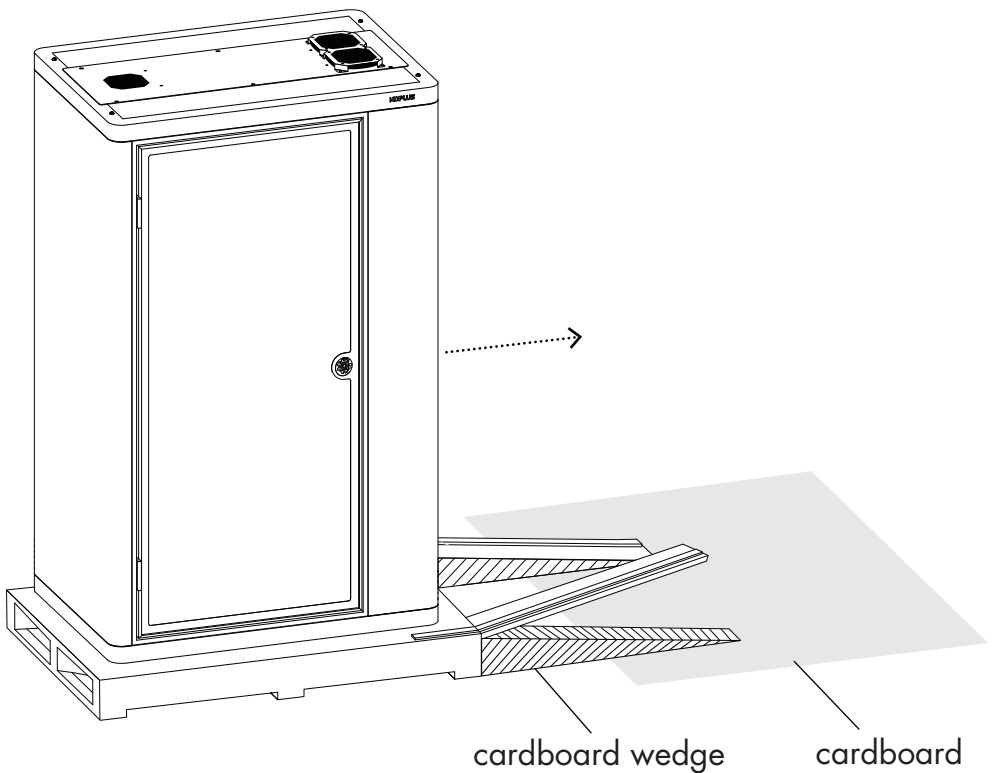
Step 1.

- Set aside the floor tile
- Position and turn the 8mm Allen Key ANTI-CLOCKWISE to disengage the feet



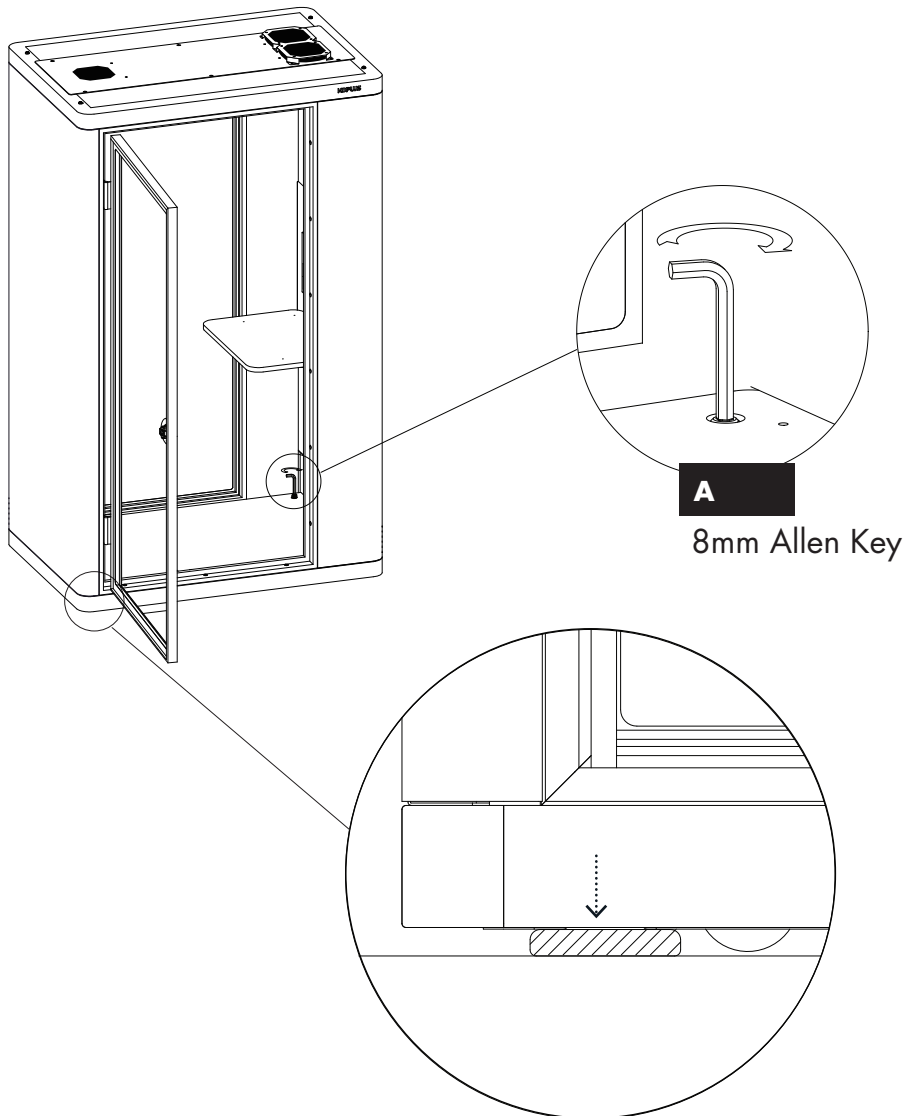
Step 2.

- Lay down leftover cardboard packaging to protect the bottom edge of Milli Sit
- Position the cardboard wedges under the ramp
- Roll the Milli Sit off the pallet and onto the cardboard
- Roll the Milli Sit off the cardboard and to its destination



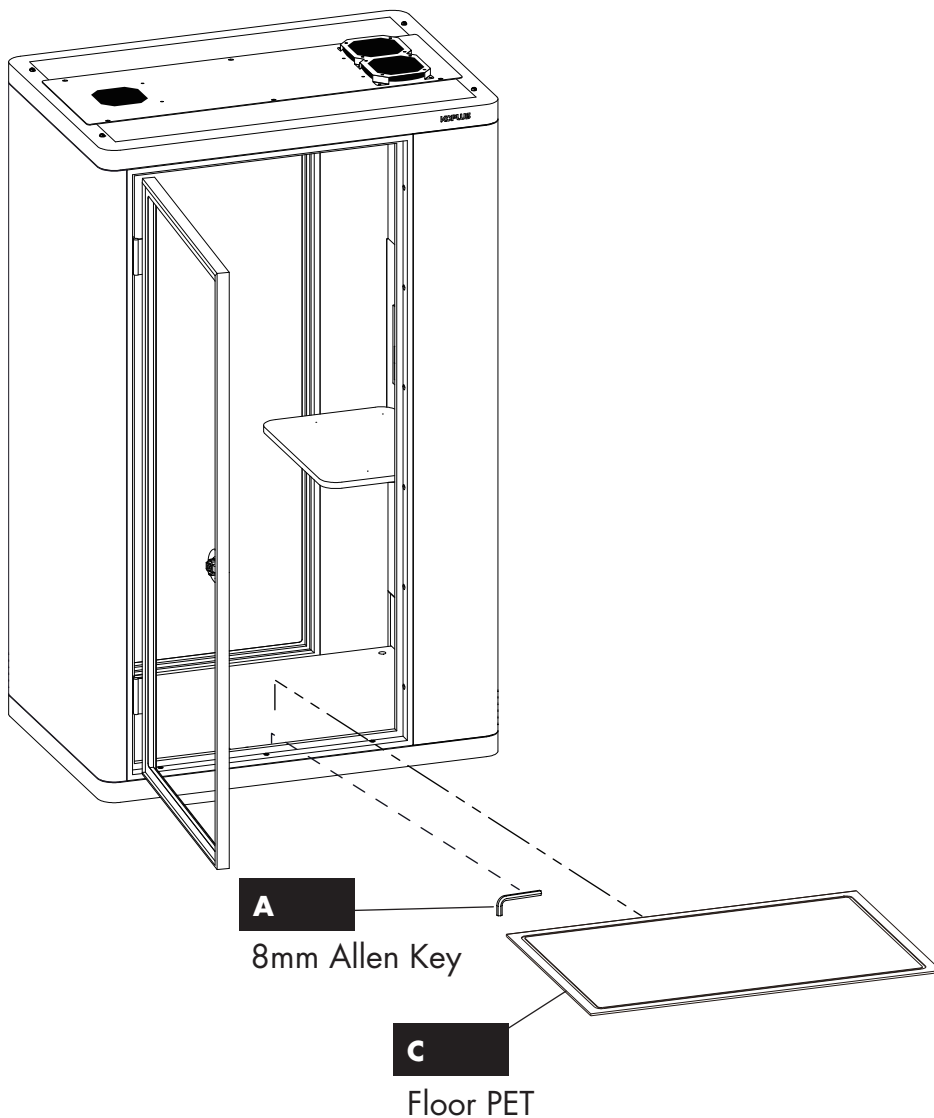
Step 3.

- Position and turn the 8mm Allen Key **CLOCKWISE** to re-engage the feet and secure the Milli Sit



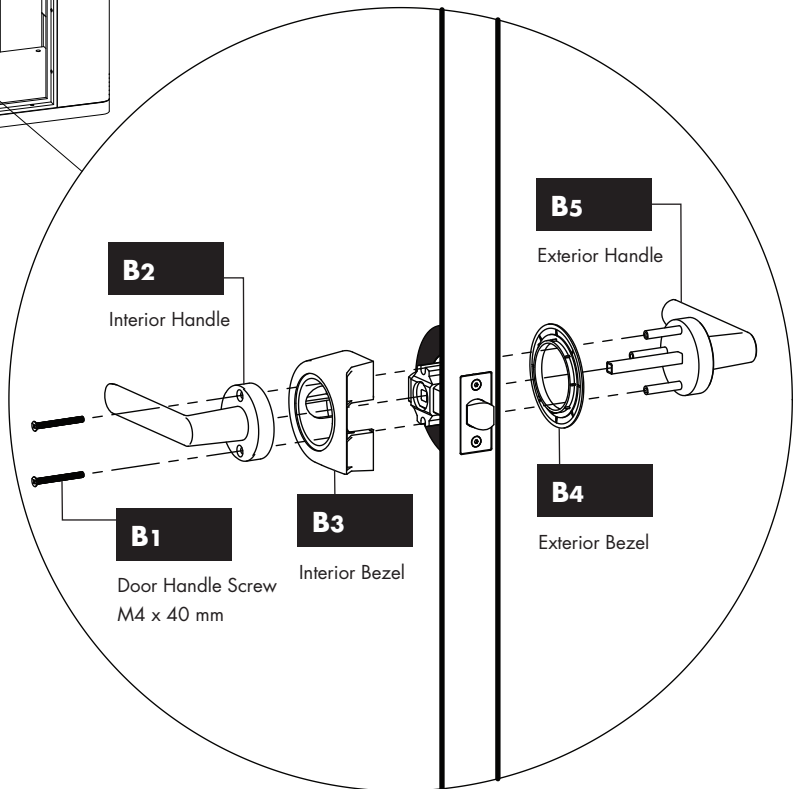
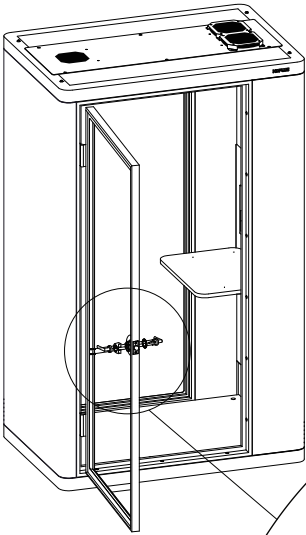
Step 4.

- Store the Allen key in the dedicated notch
- Press floor tile into place



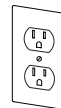
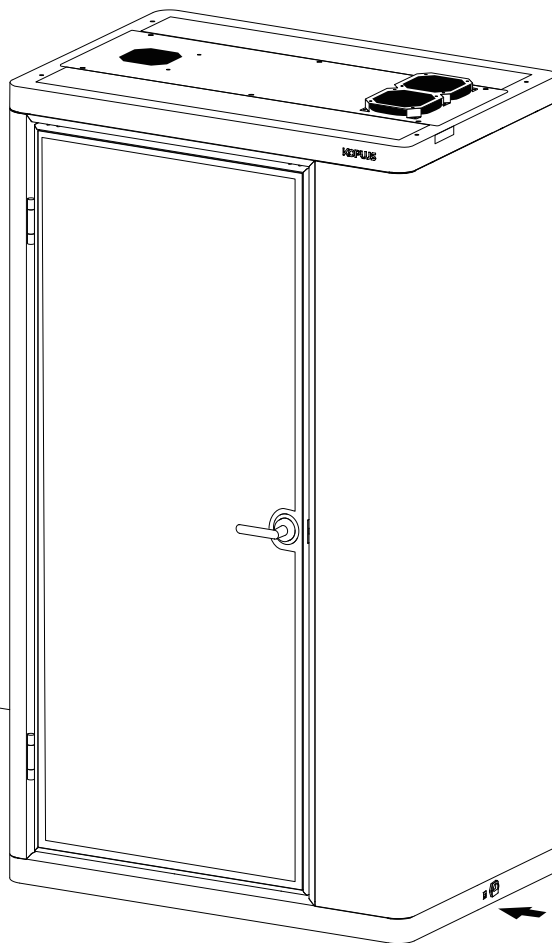
Step 5.

- Install the handle as shown



Step 6.

- Plug in Milli Sit and ensure that AC power, USB outlets, light, and fan are in working order



workin' on dreams