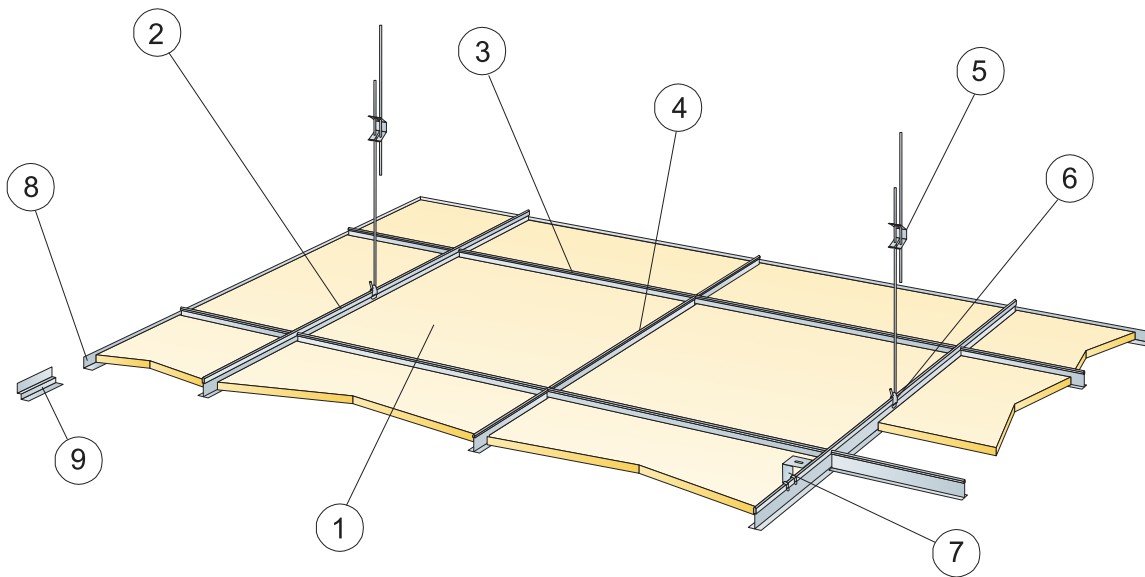
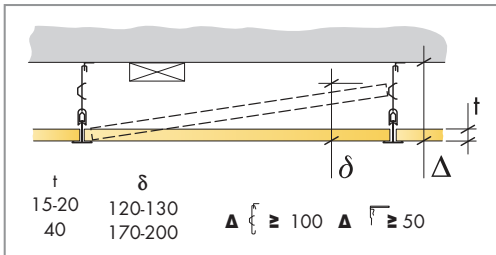


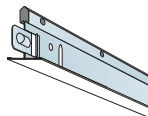
## Edge A system

600x600, 1200x600,  
625x625, 1250x625  
(Not valid for Combison)

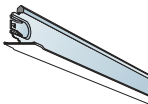


1. Ecophon Edge A panel 600x600/1200x600  
625x625/1250x625

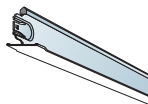
2. Connect T24 or T15 Main runner



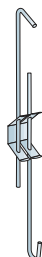
3. Connect T24 or T15 Cross tee,  
L=1200/1250



4. Connect T24 or T15 Cross tee,  
L=600/625



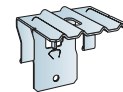
5. Connect Adjustable hanger



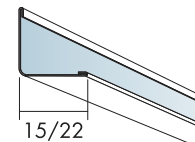
6. Connect Hanger clip



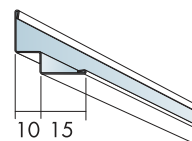
7. Connect Direct fixing bracket

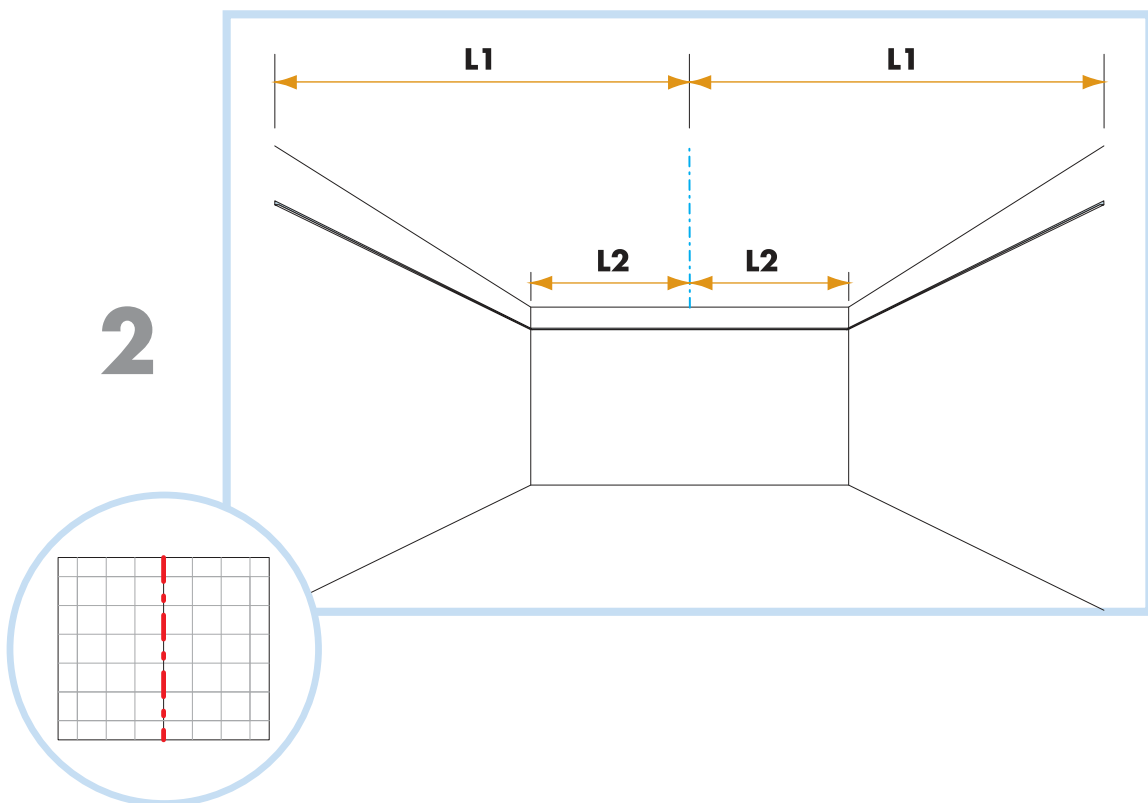
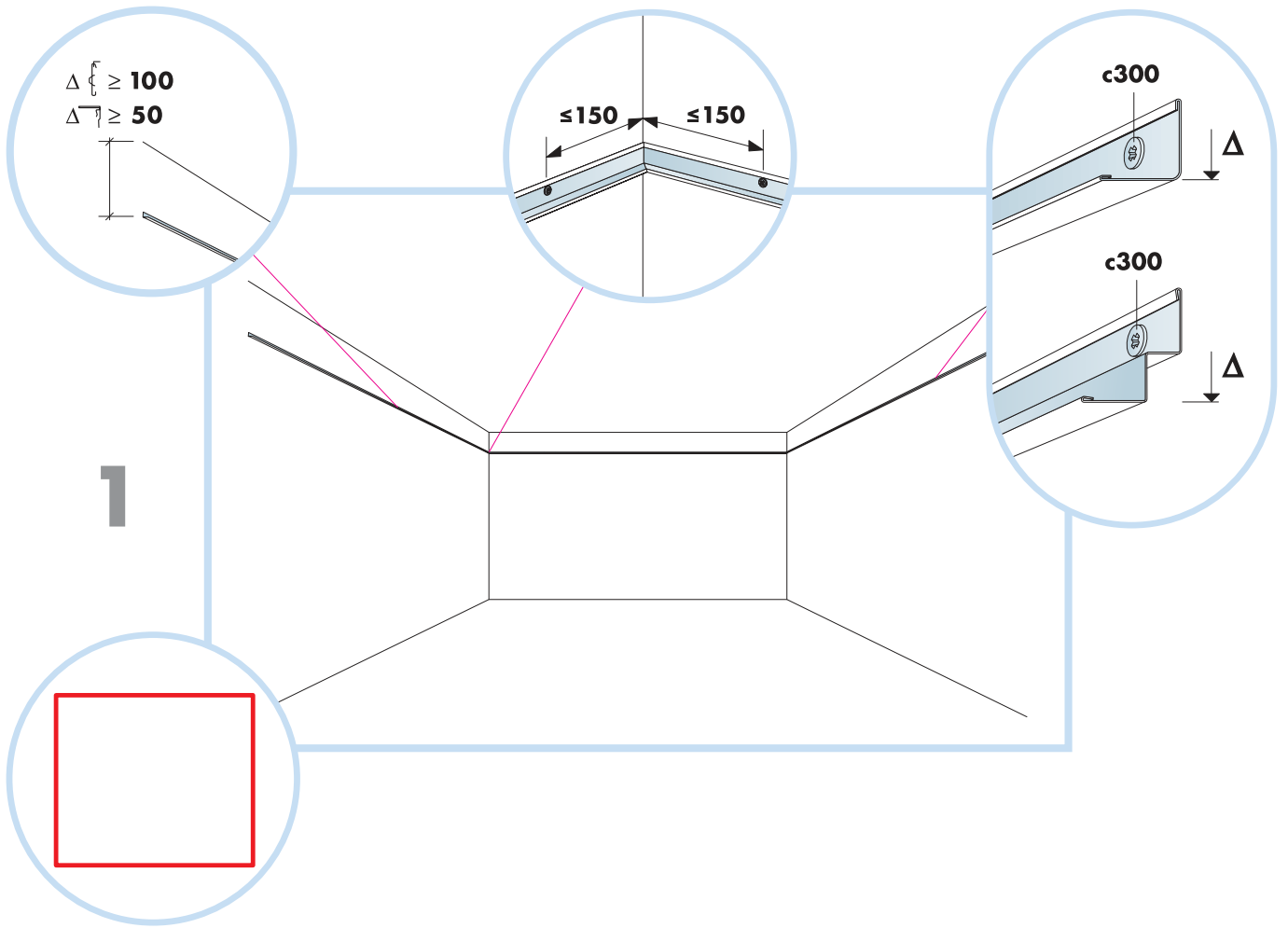


8. Connect Angle trim



9. Connect Shadow-line trim





600/625

A

A

3

$A \geq 300$

4

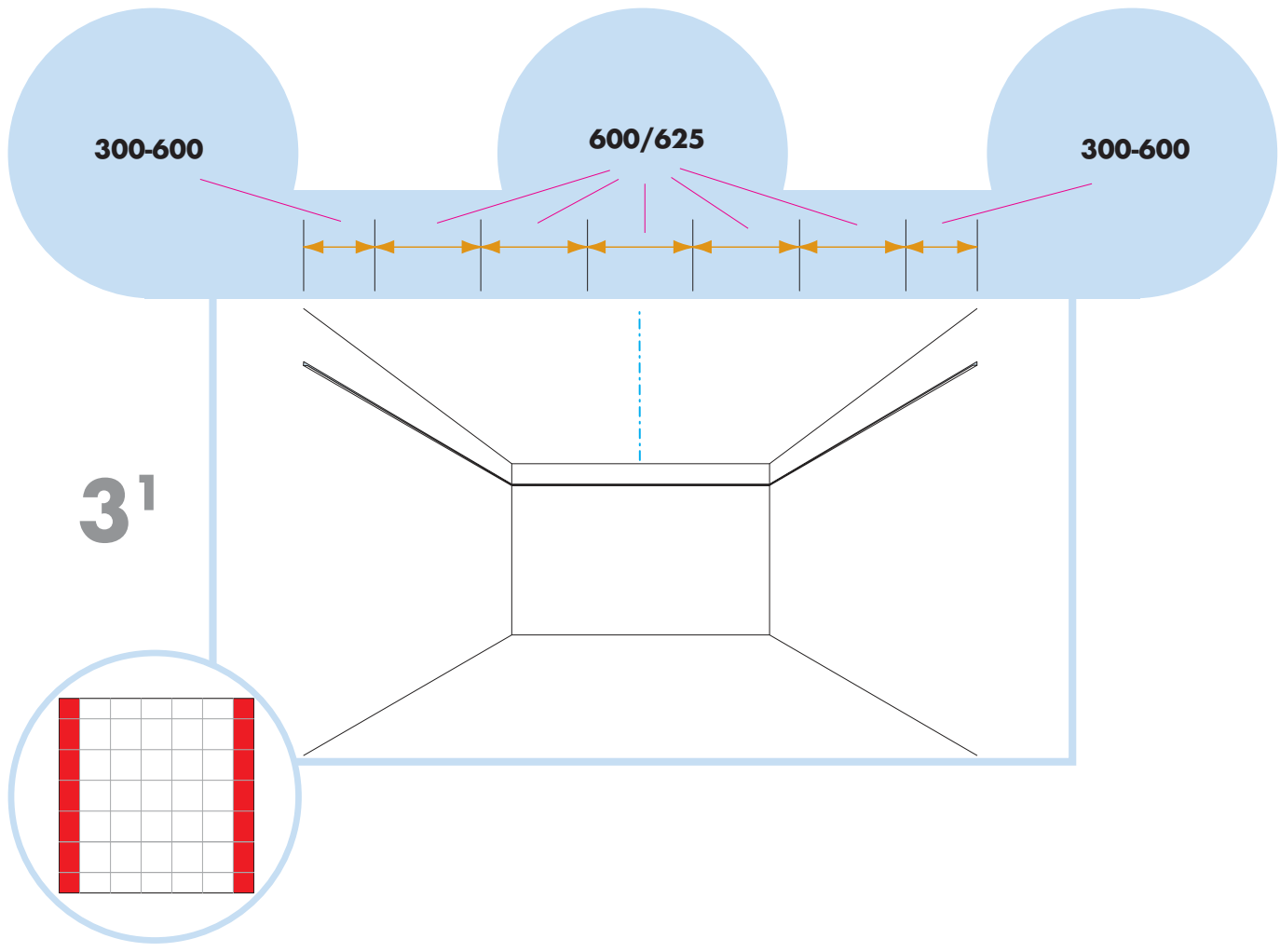
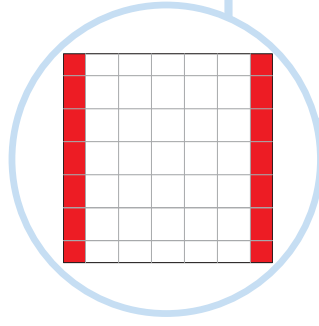
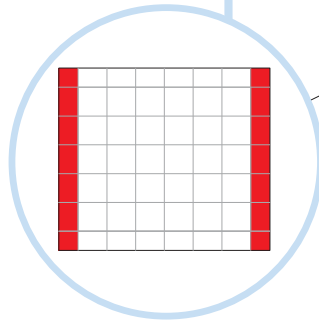
$A < 300$

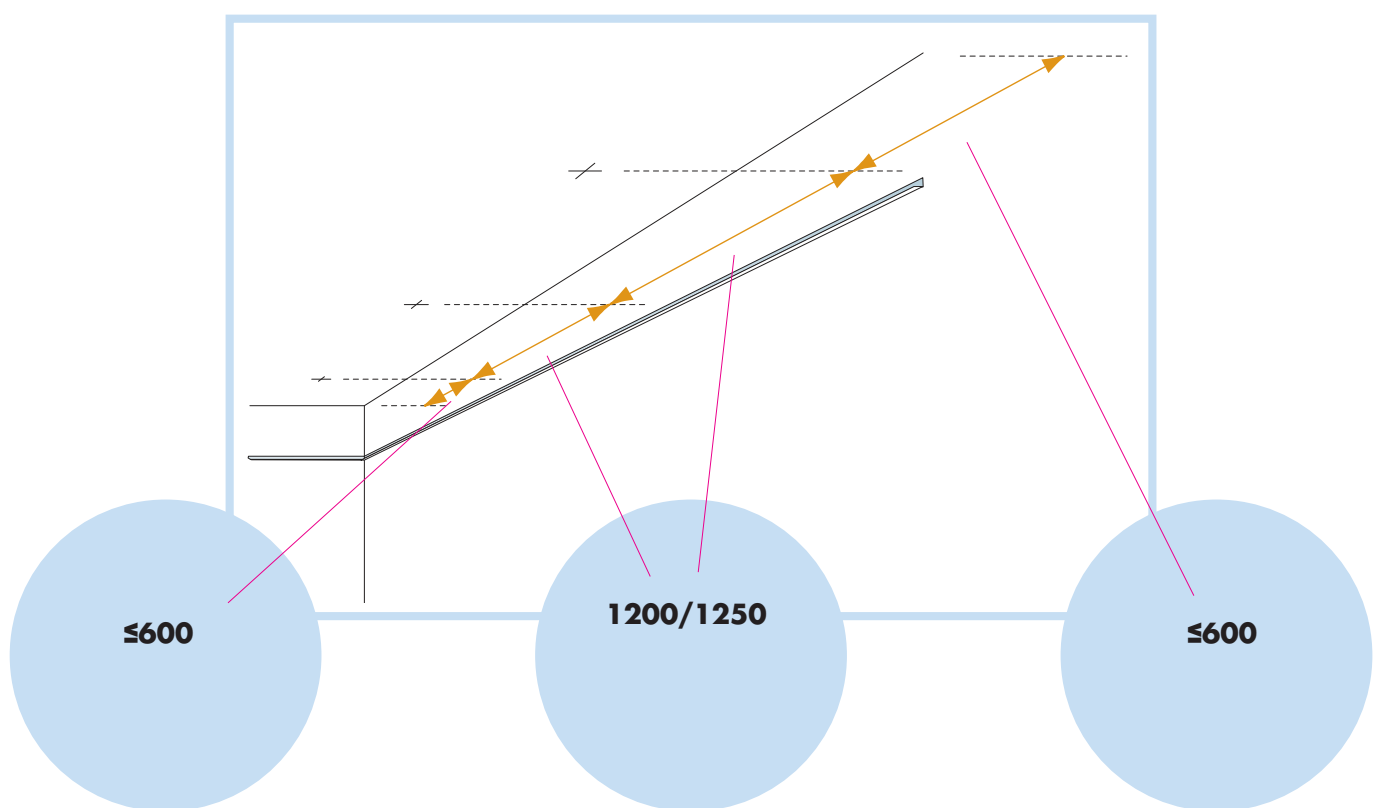
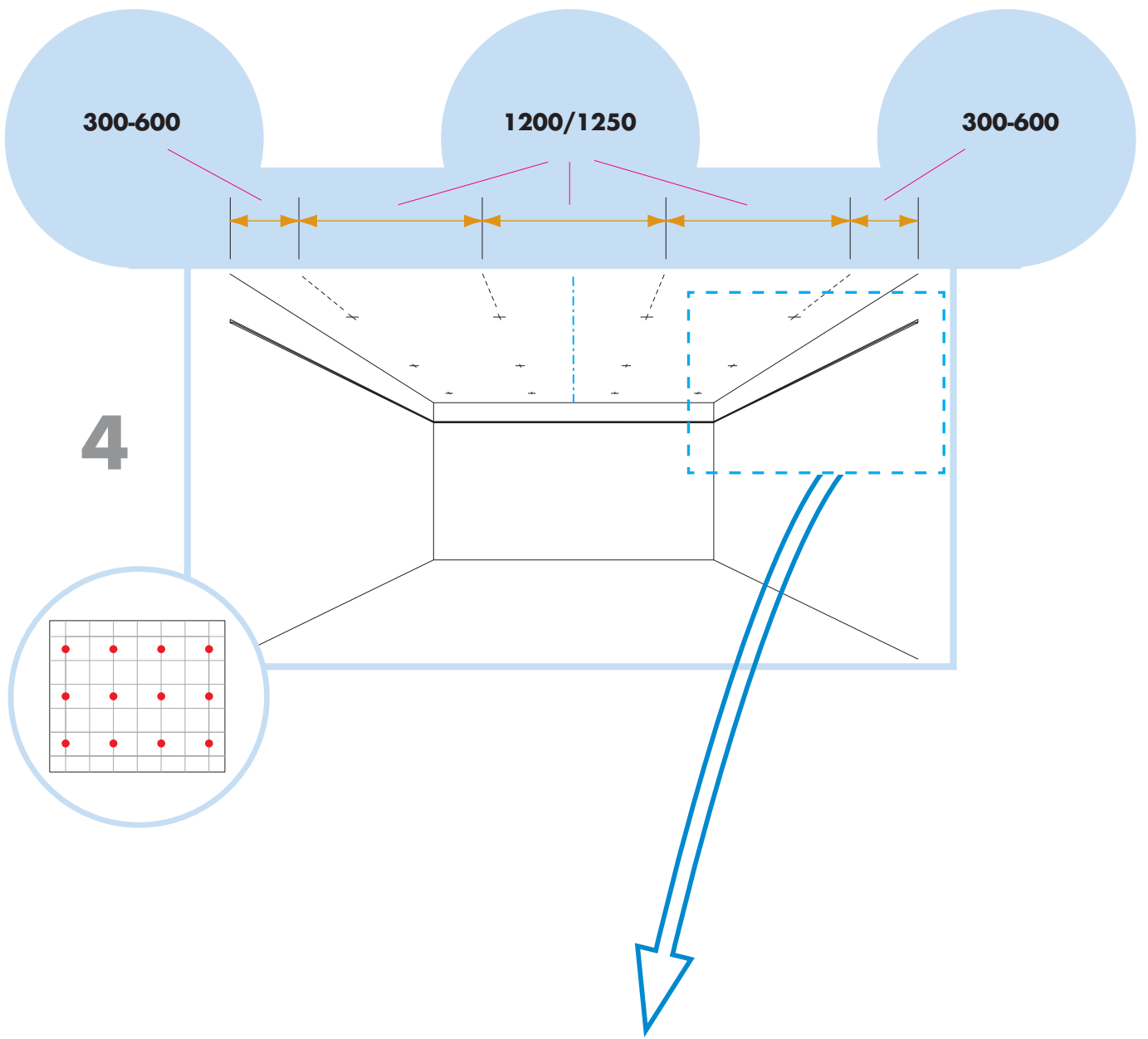
300-600

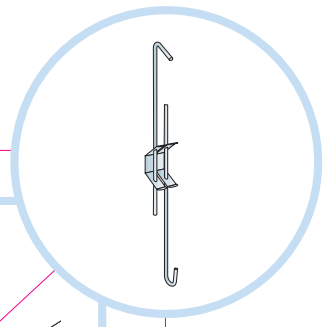
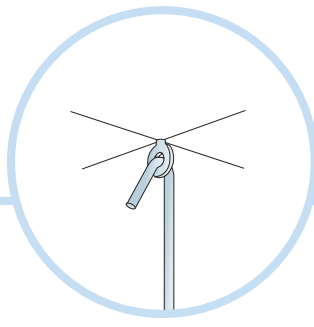
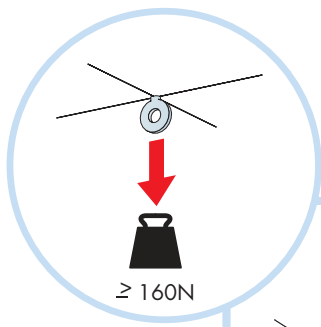
600/625

300-600

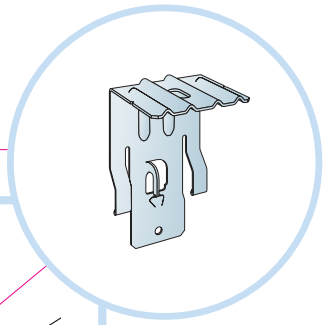
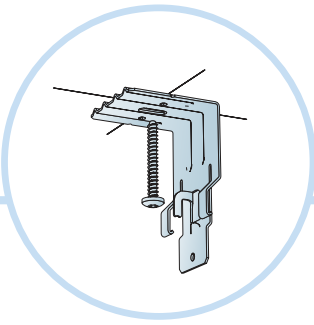
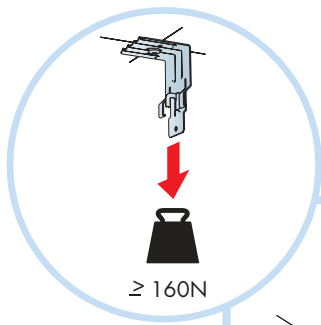
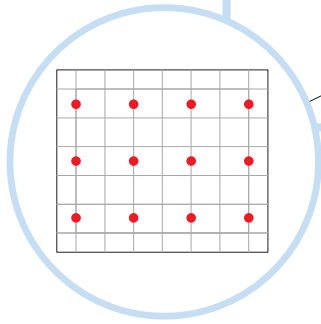
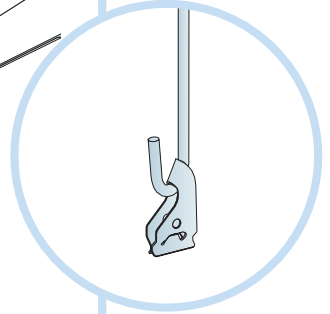
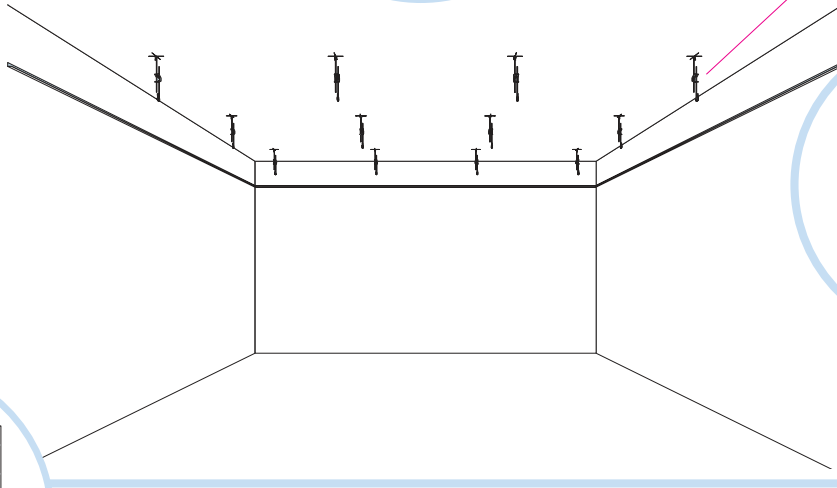
3<sup>1</sup>



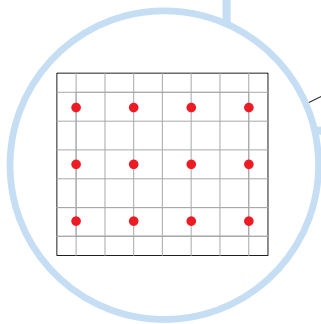
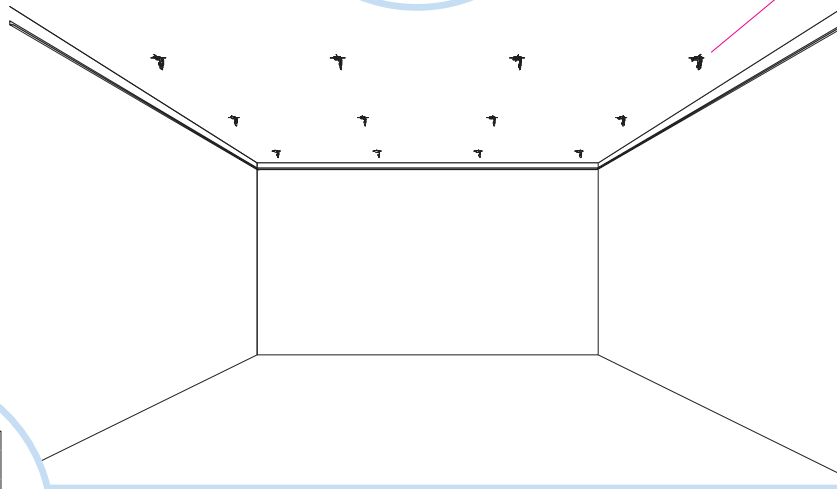


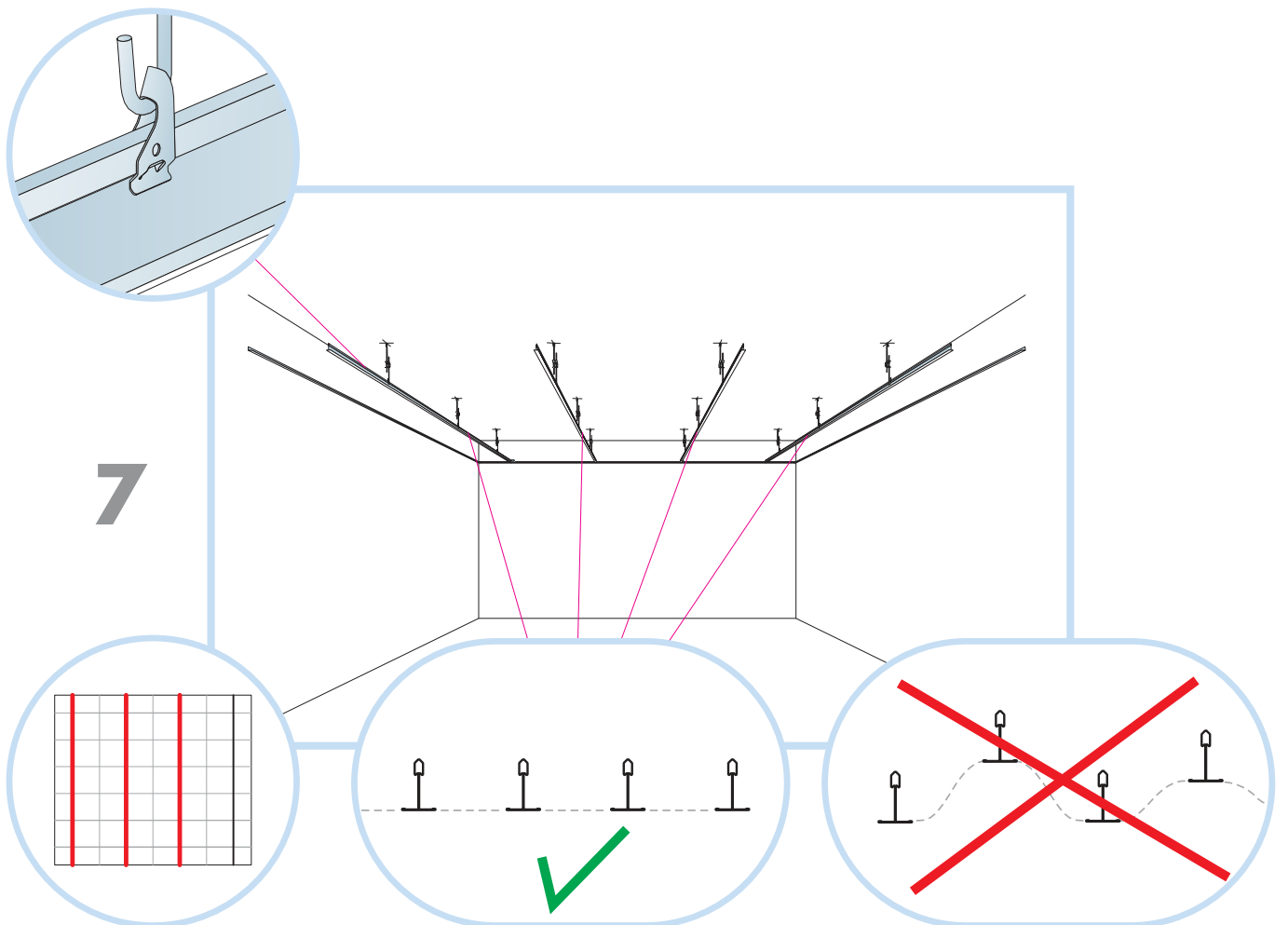
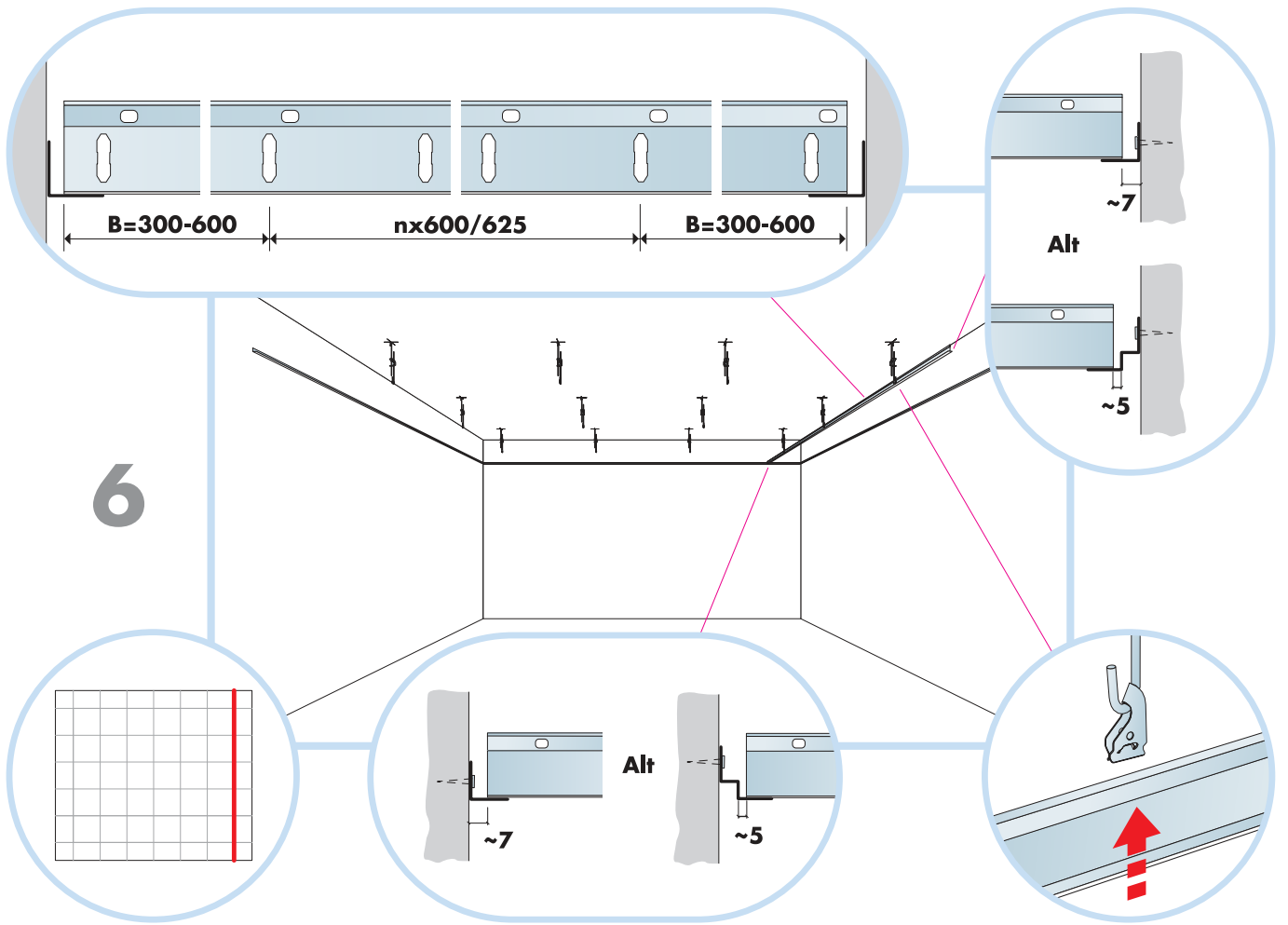


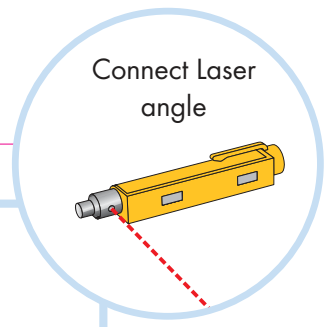
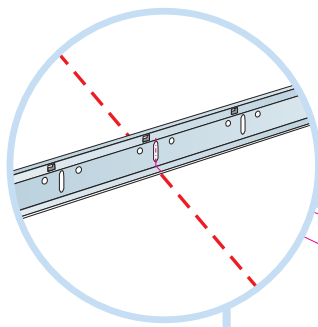
5



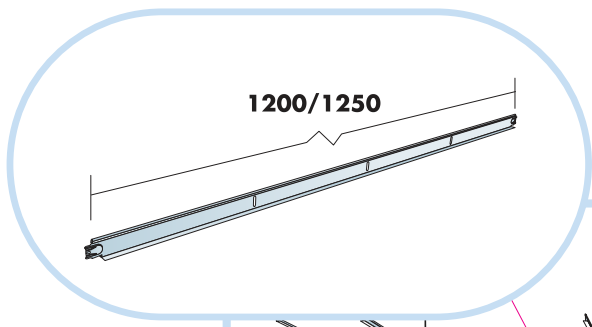
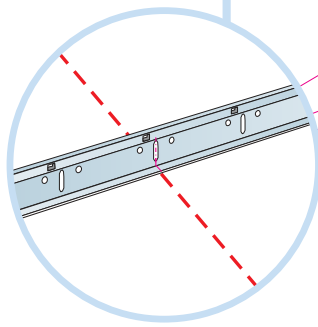
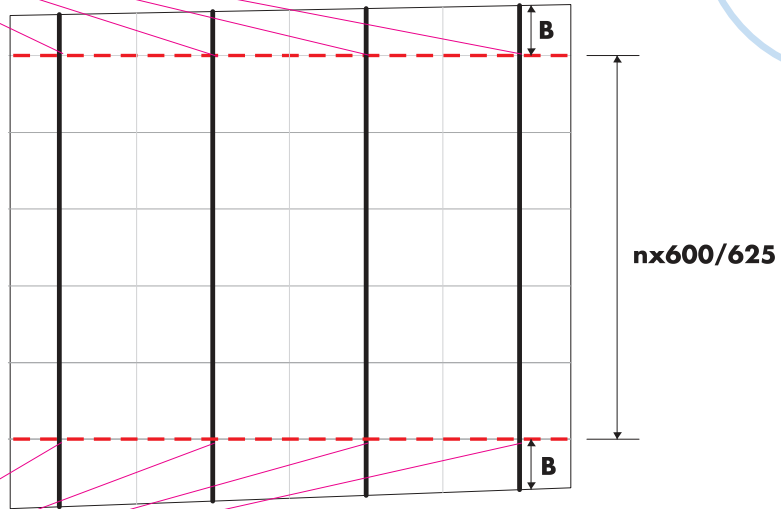
5<sub>1</sub>



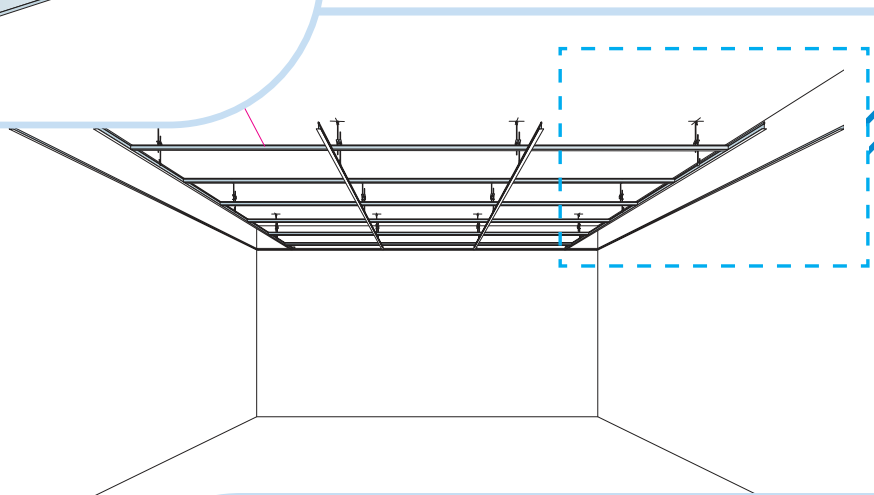




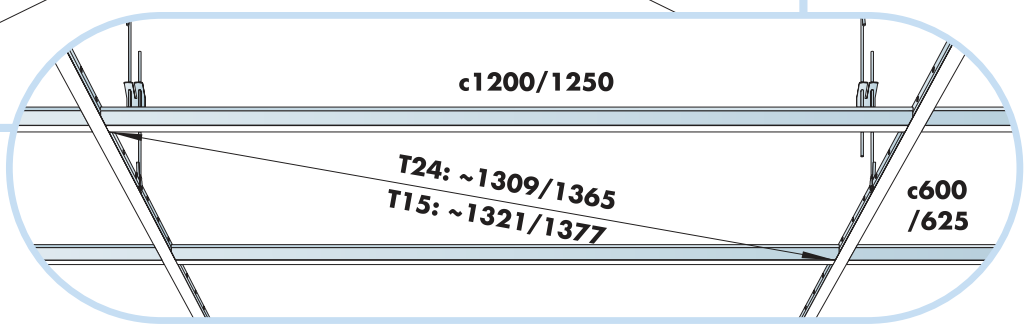
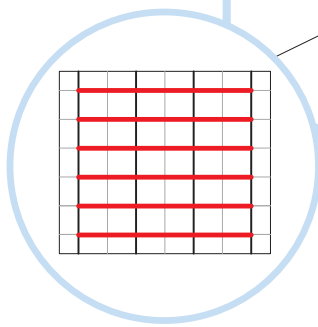
7<sub>1</sub>

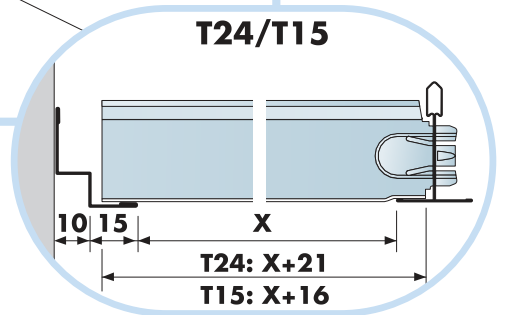
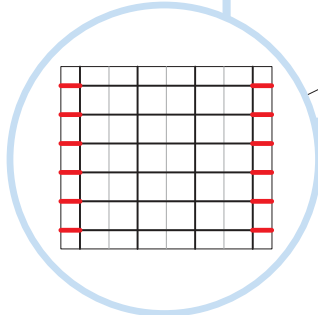
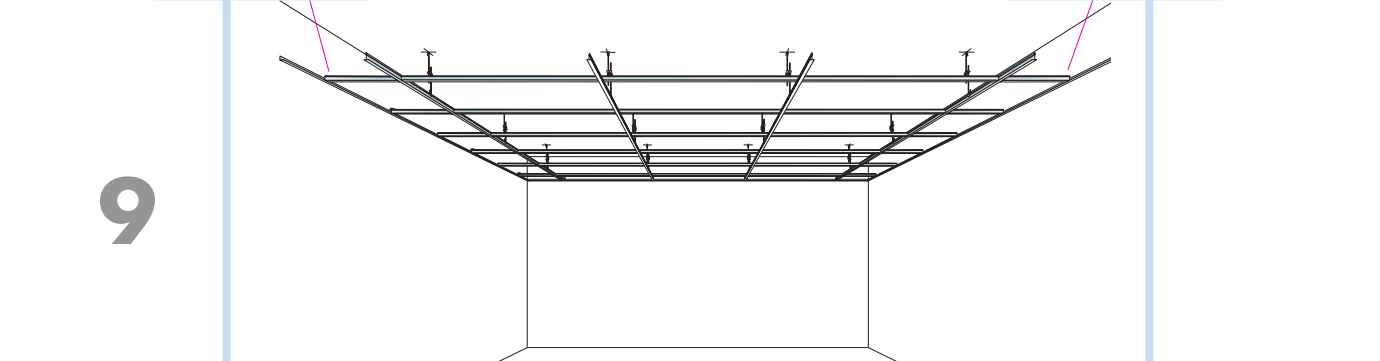
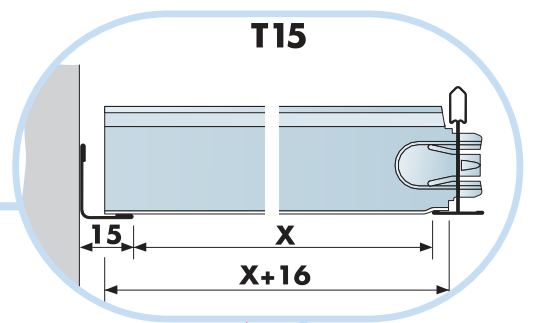
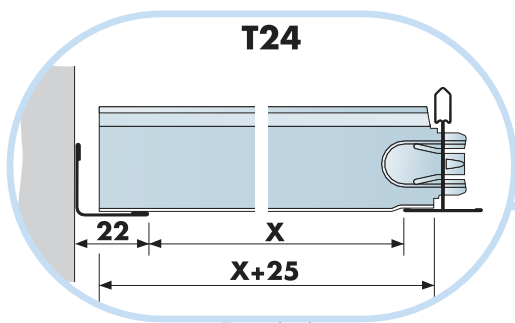
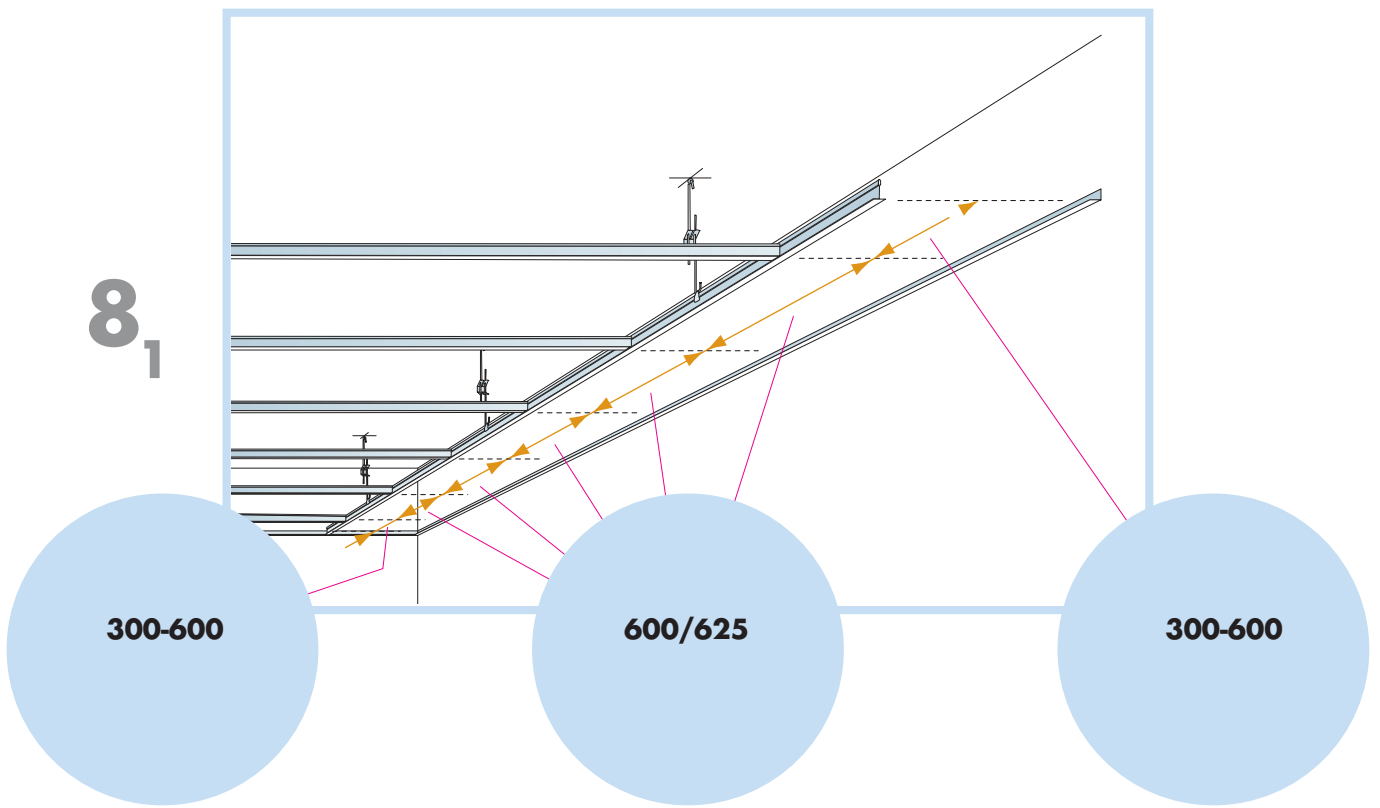


8





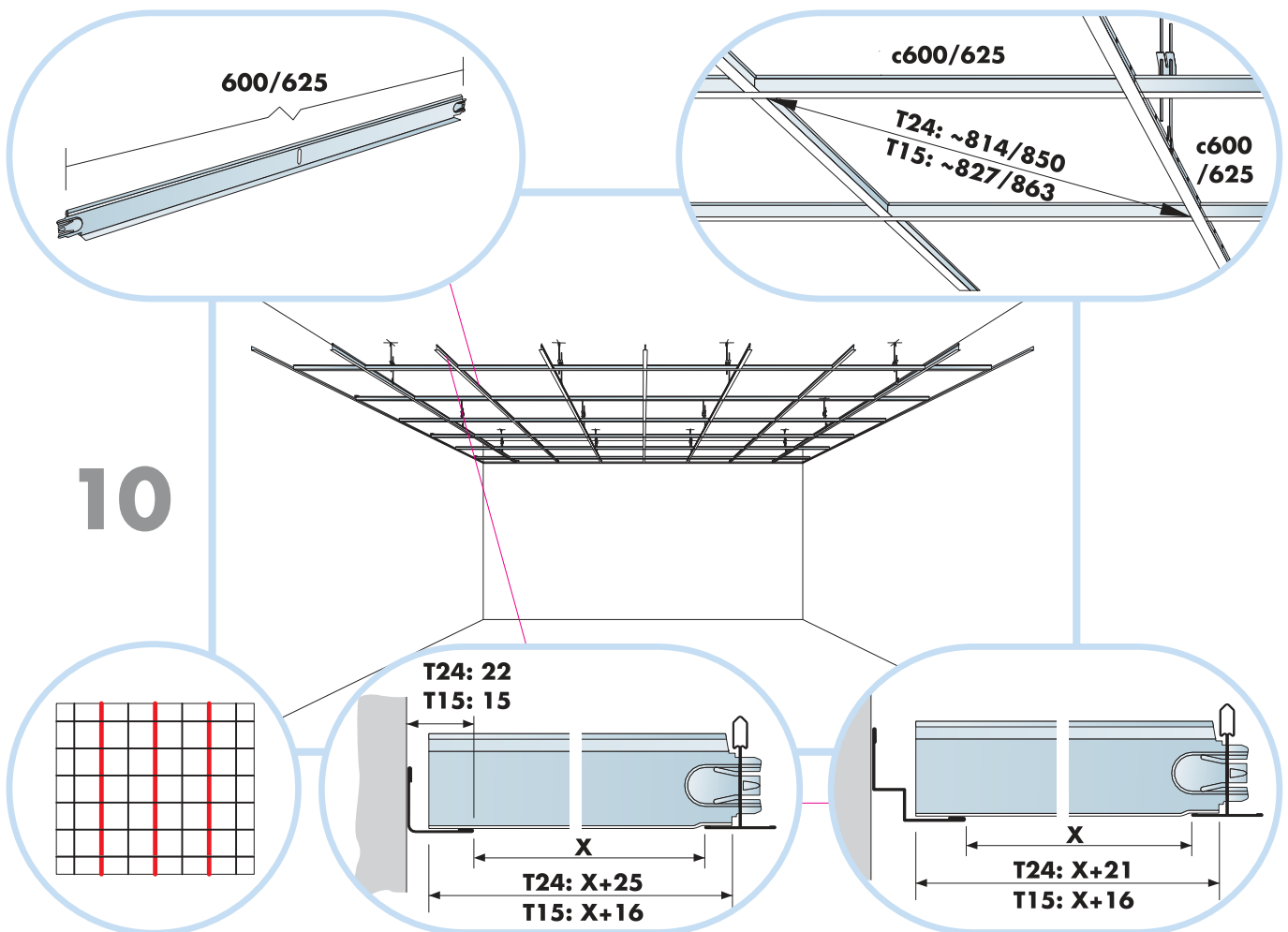
8<sub>1</sub>





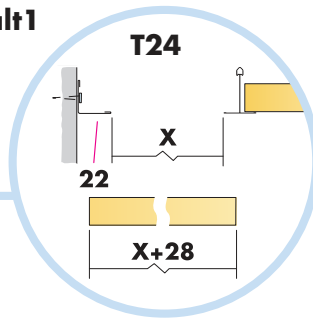


600x600/625x625   
 1200x600/1250x625 

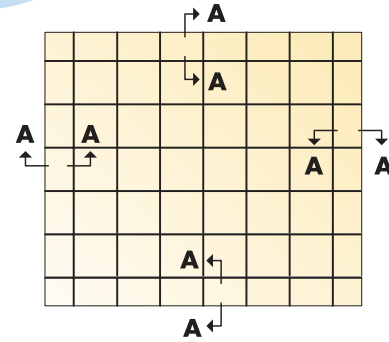
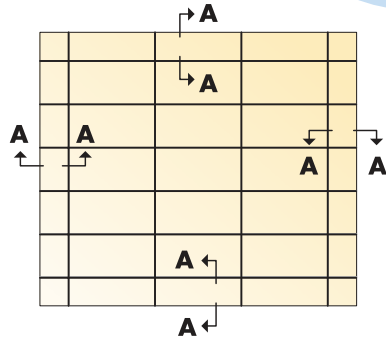
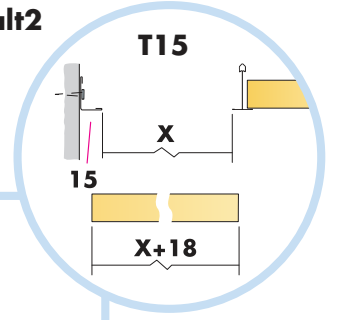


11

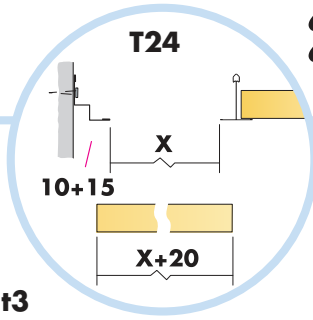
A-A alt1



A-A alt2



A-A alt3



A-A alt4

