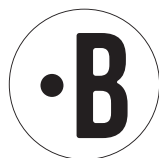
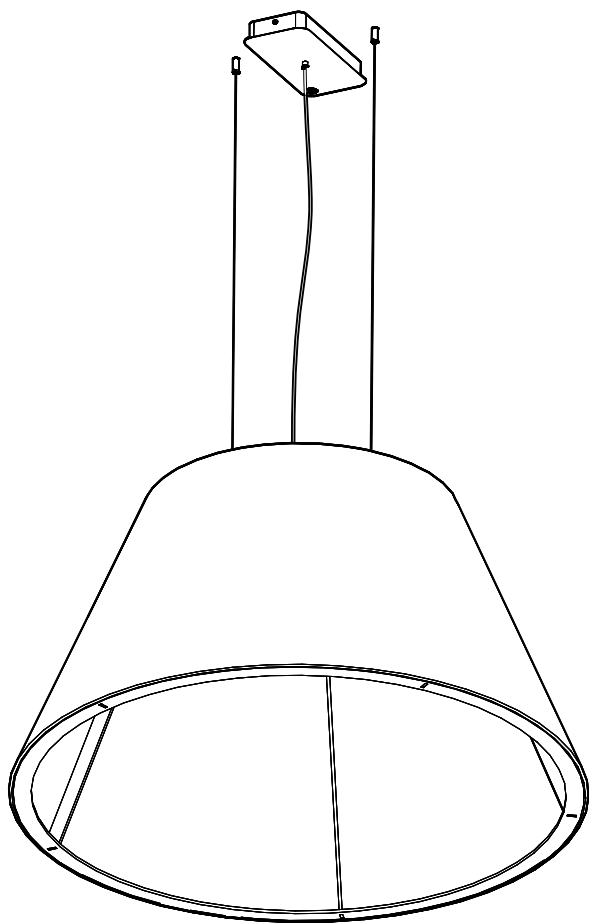


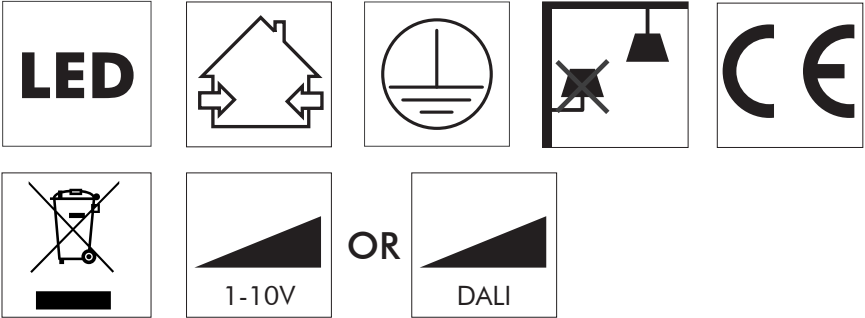
BuzziShade Pendant LED

INSTALLATION MANUAL

220-240V



Technical info

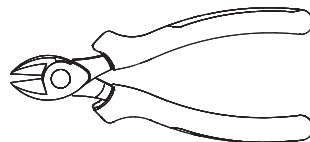
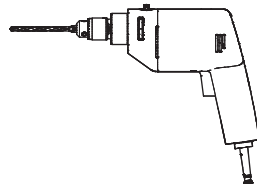
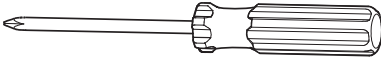
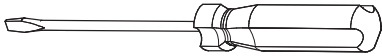


Environmental Protection

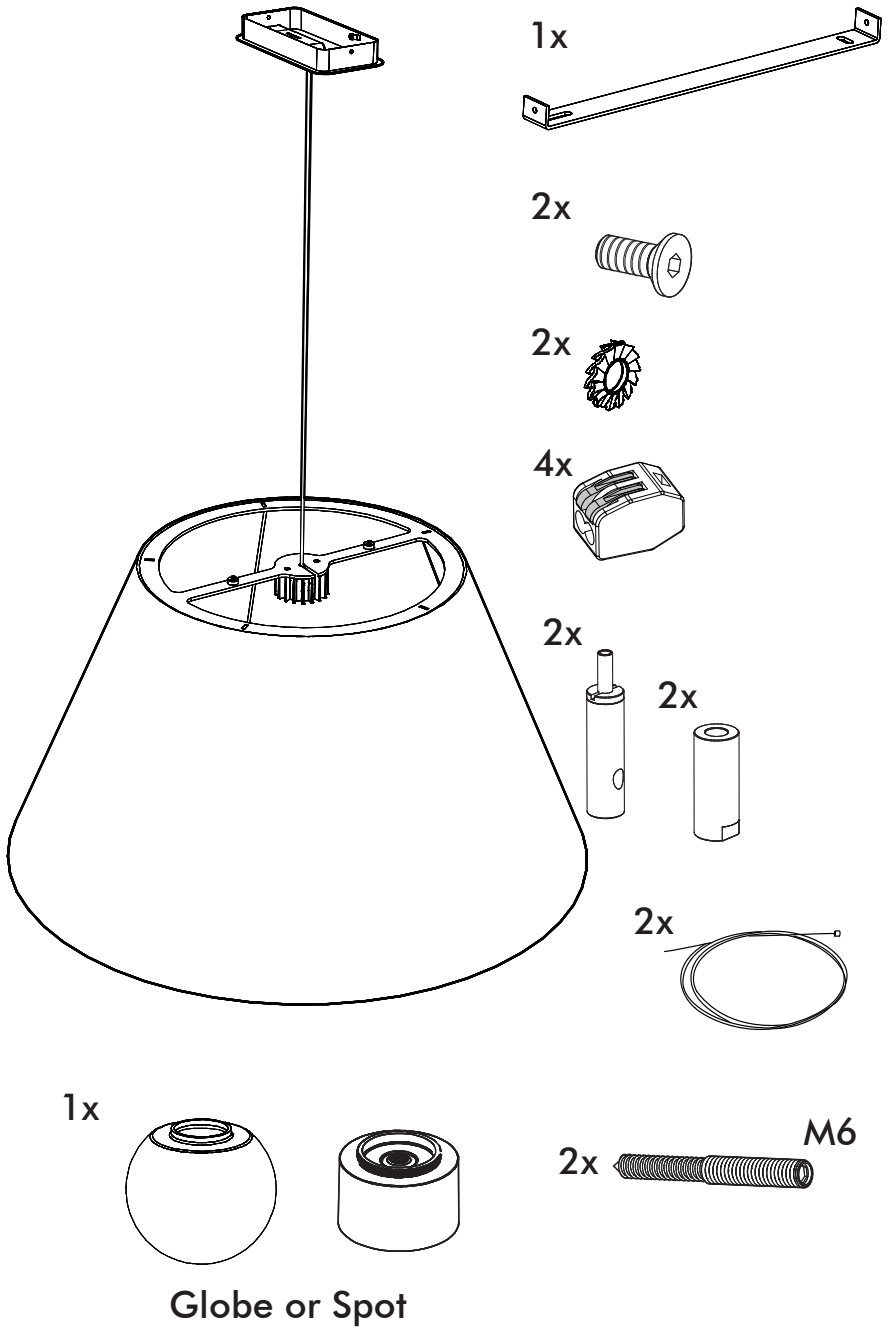
Waste electrical products should not be disposed of with household waste. Please recycle where facilities exist. Check with your Local Authority or retailer for recycling advice.

⚠ The light source of this luminaire is not replaceable; when the light source reaches its end of life the whole luminaire shall be replaced.

Excluded

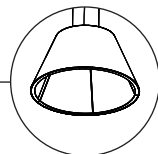


Included



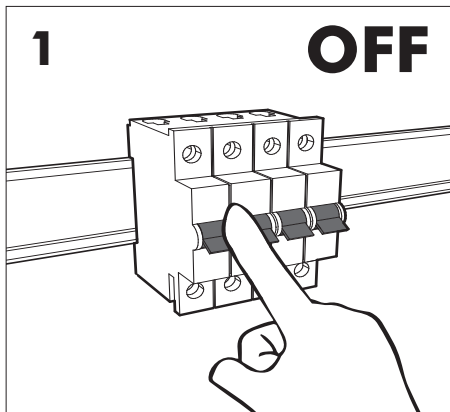
BuzziShade Pendant LED

2 PERS. 

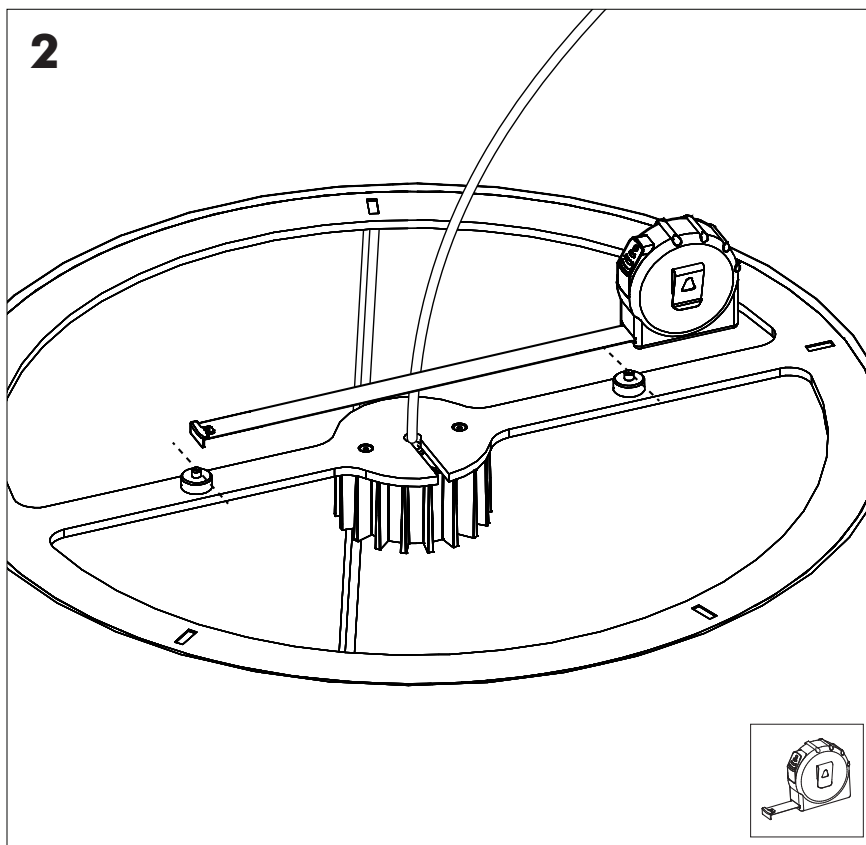


1

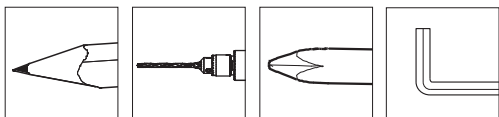
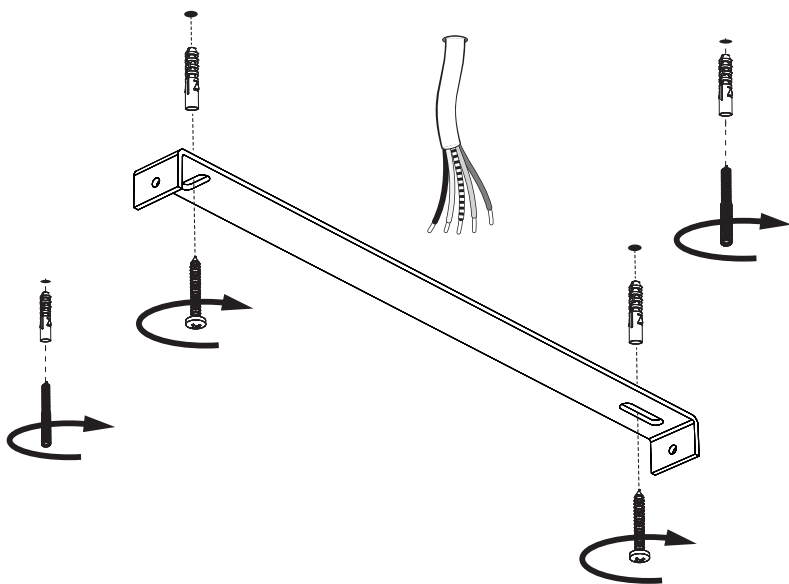
OFF



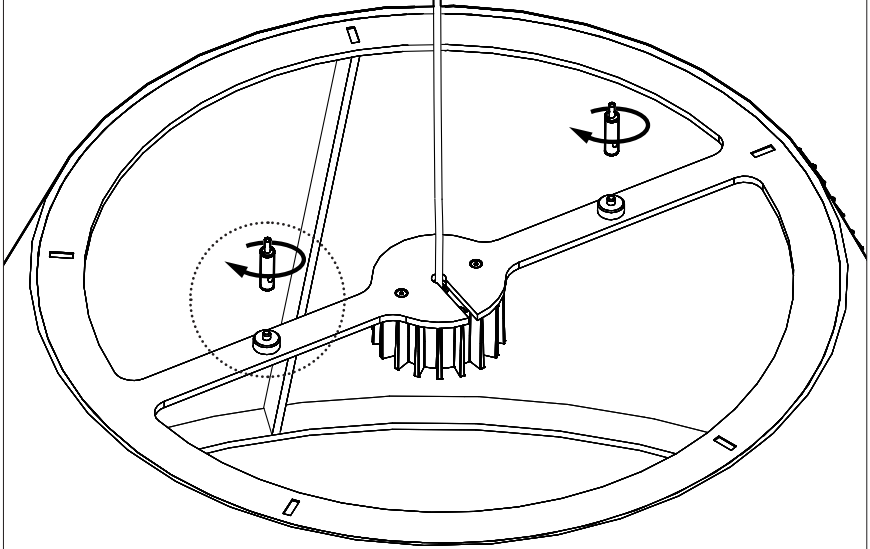
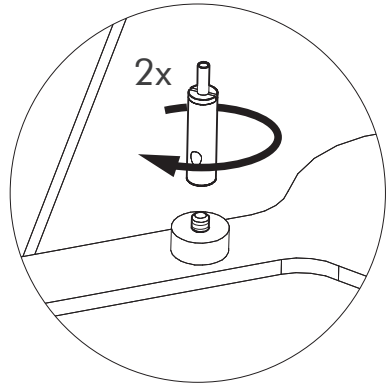
2



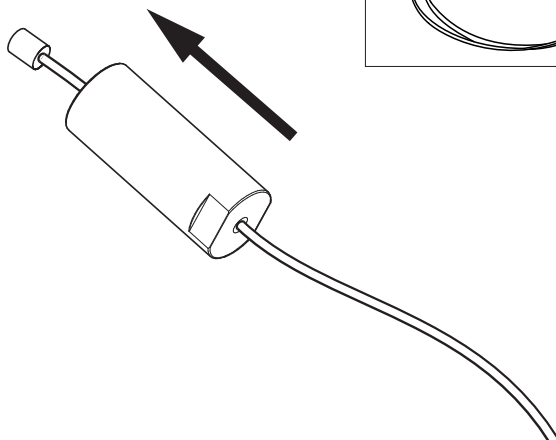
3



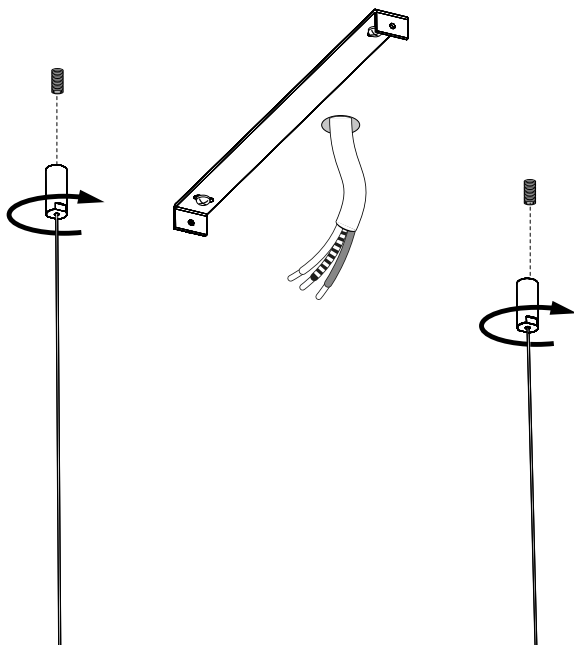
4

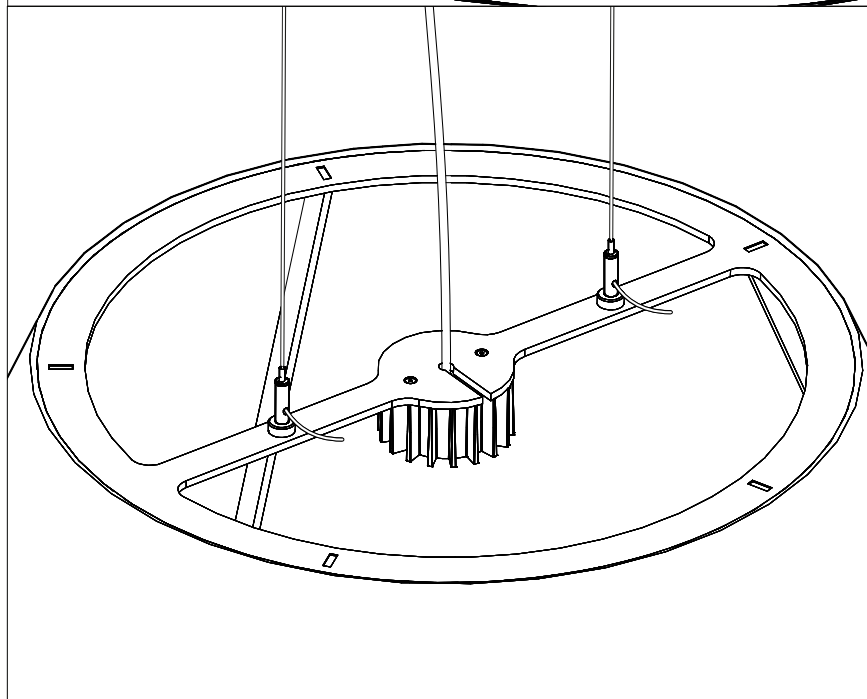
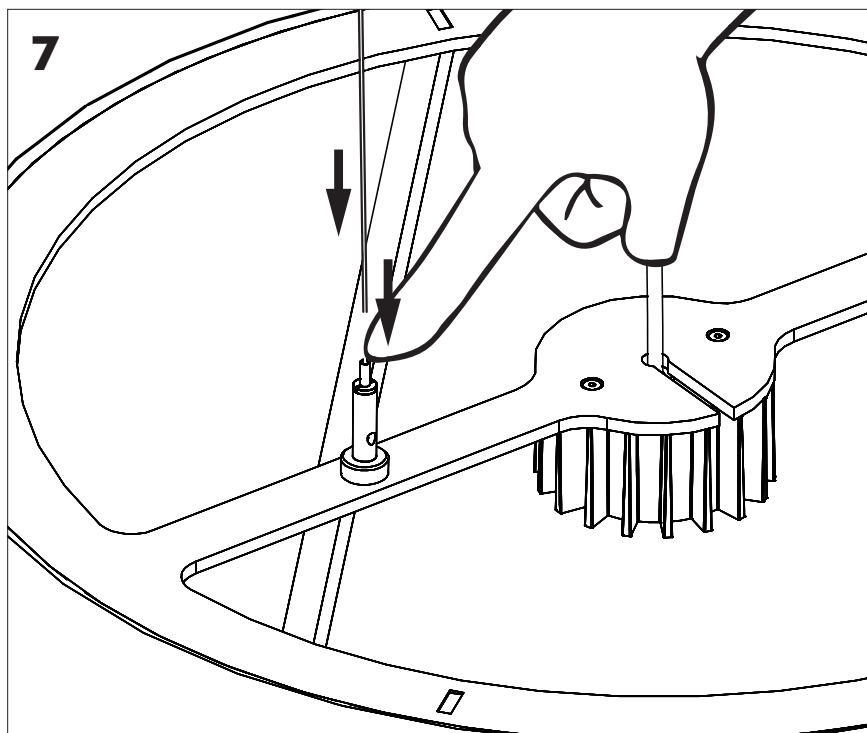


5

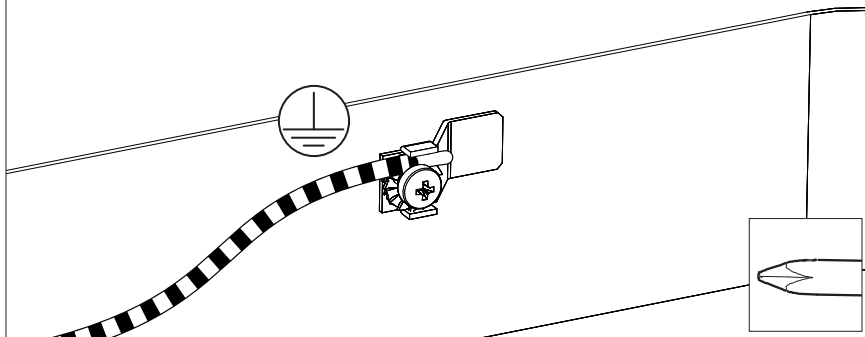


6





8



9a



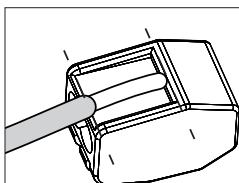
Connection including dimmable function



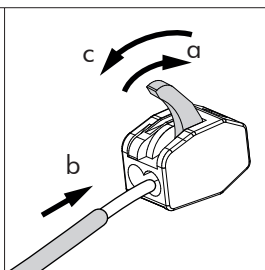
Dim+

Dim-

Blue	Neutral
Brown	Line
Red	DIM +
Black	DIM -

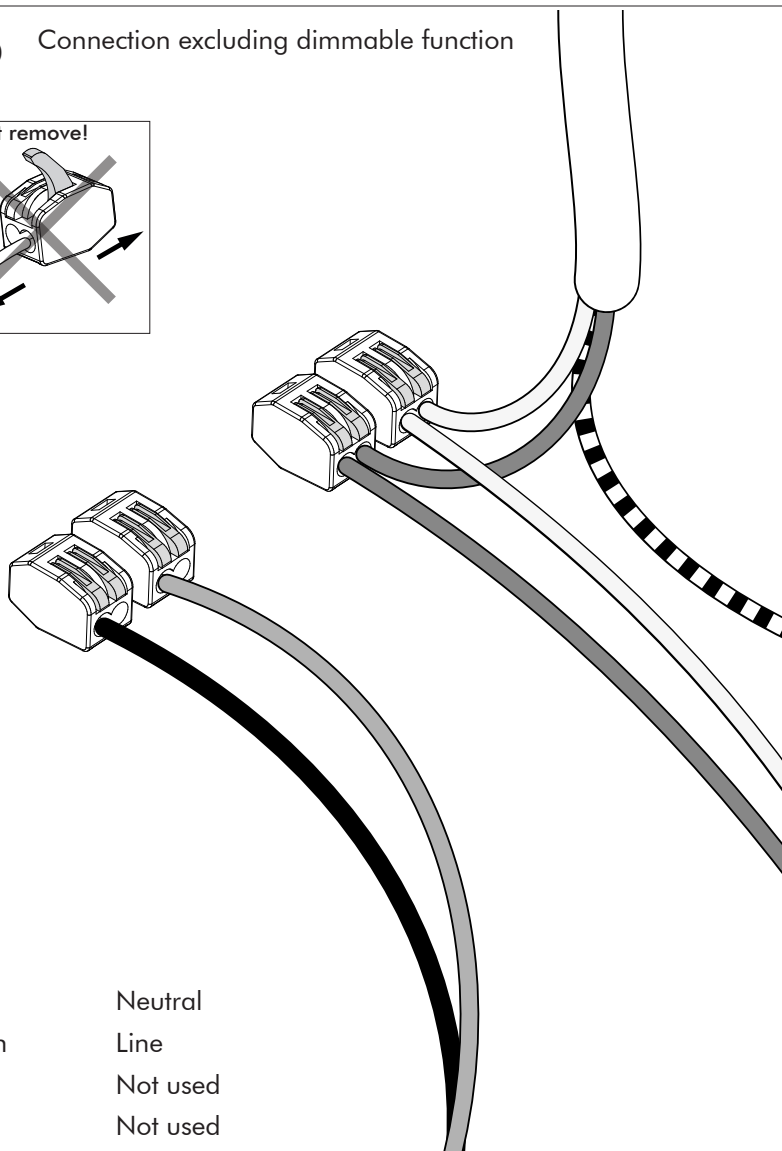
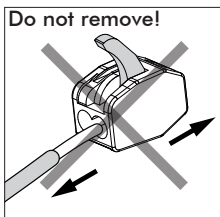


Strip conductor
to ± 10 mm

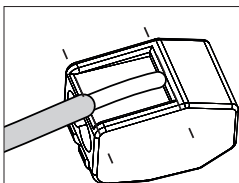


9b

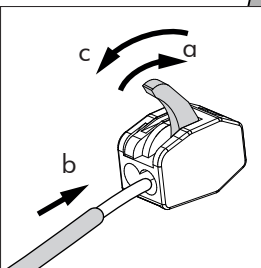
Connection excluding dimmable function



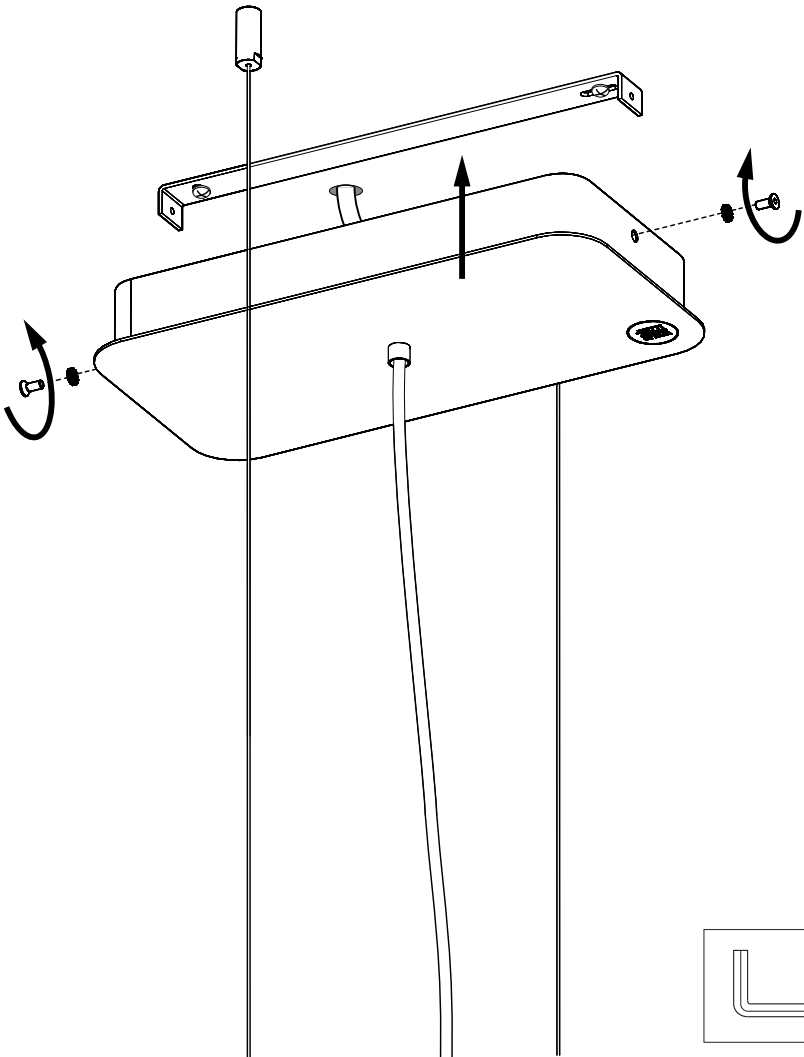
Blue	Neutral
Brown	Line
Red	Not used
Black	Not used



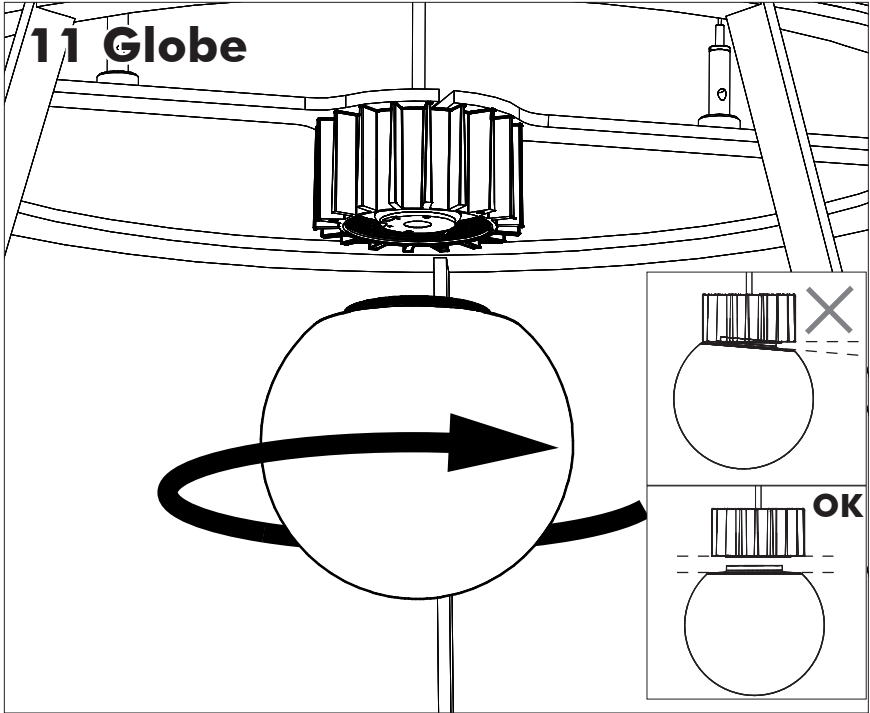
Strip conductor
to ± 10 mm



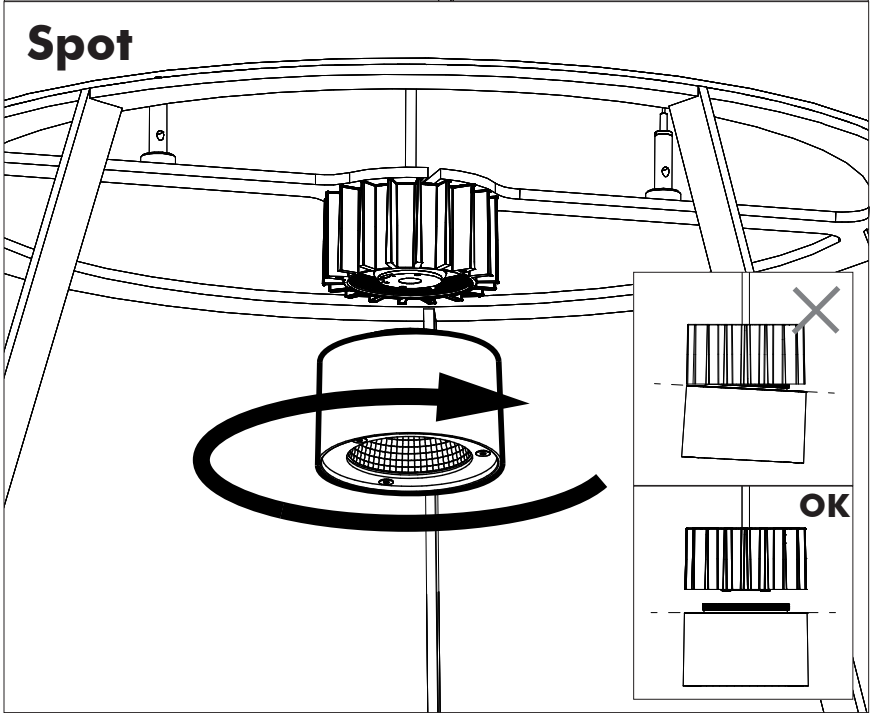
10



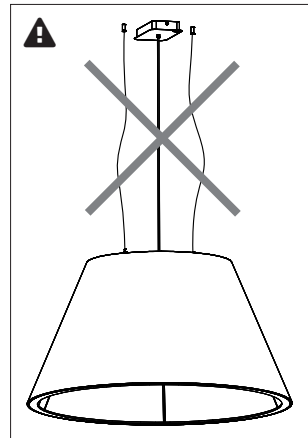
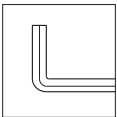
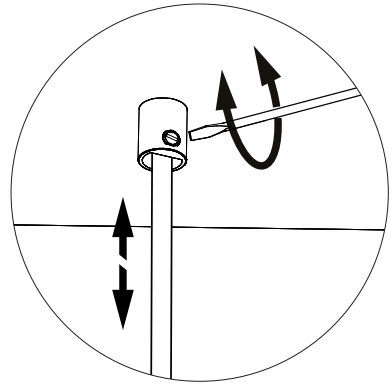
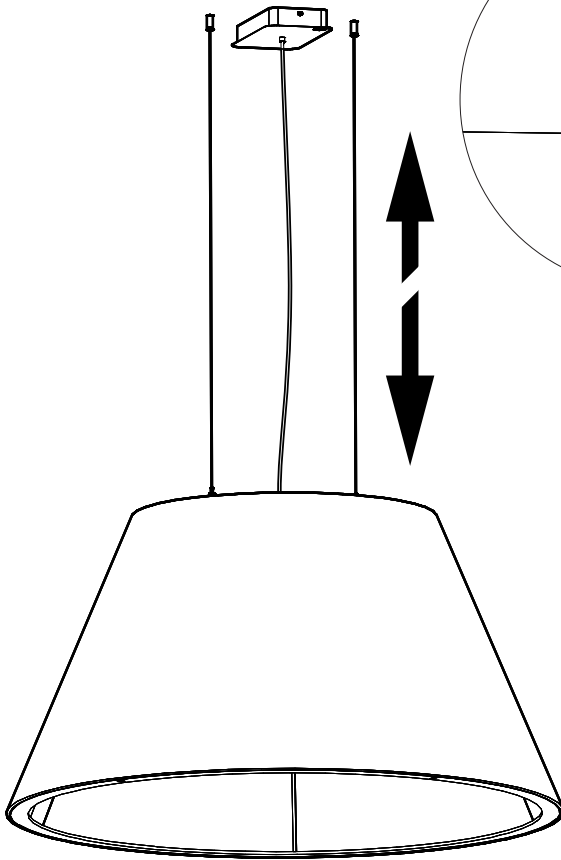
11 Globe



Spot



!



BuzziSpace
Groeningenlei 141
2550 Antwerp, Kontich
Belgium
☎ +32 (0)3 846 10 00
✉ info@buzzi.space
🌐 www.buzzi.space



Doc nr.: A-0000003379/04
Last update: 06/08/2020