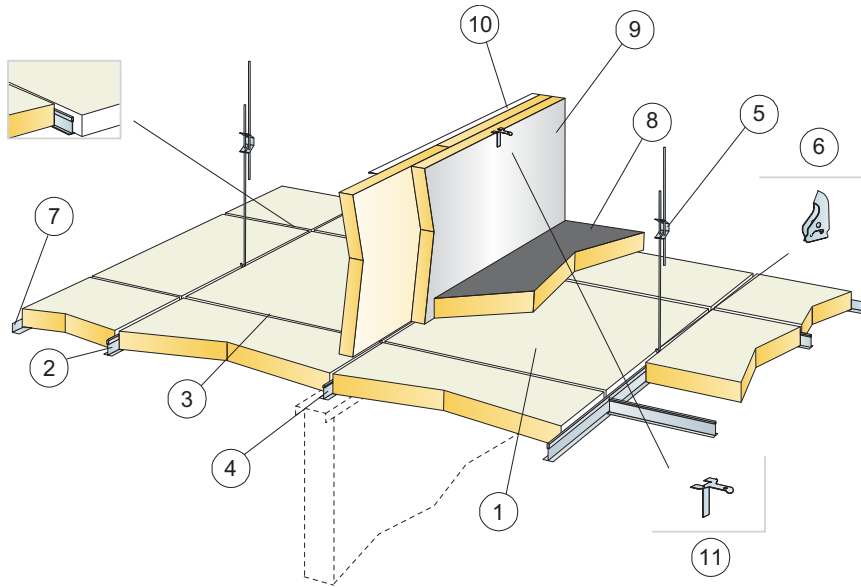
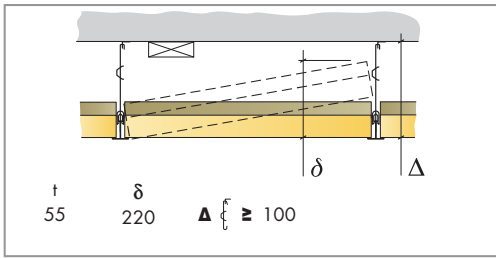


Combison A

600x600, 1200x600



1. Combison A 600x600/1200x600

2. Connect T24 Main runner

3. Connect T24 Cross tee,
L=1200

4. Connect T24 Cross tee,
L=600

5. Connect Adjustable hanger

6. Connect Hanger clip

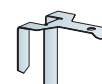
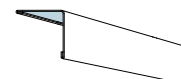
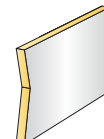
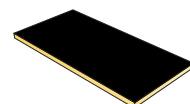
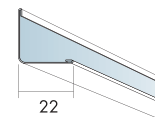
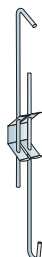
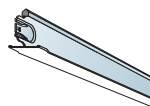
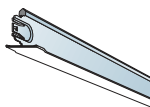
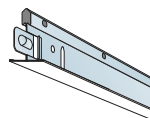
7. Connect Angle trim 22/22

8. Combison XR (if required)
(1200x600x50)

9. Combison Barrier (if required)
(1200x600x40)

10. Connect Angle Trims position upper part of Barrier panel
(if required)

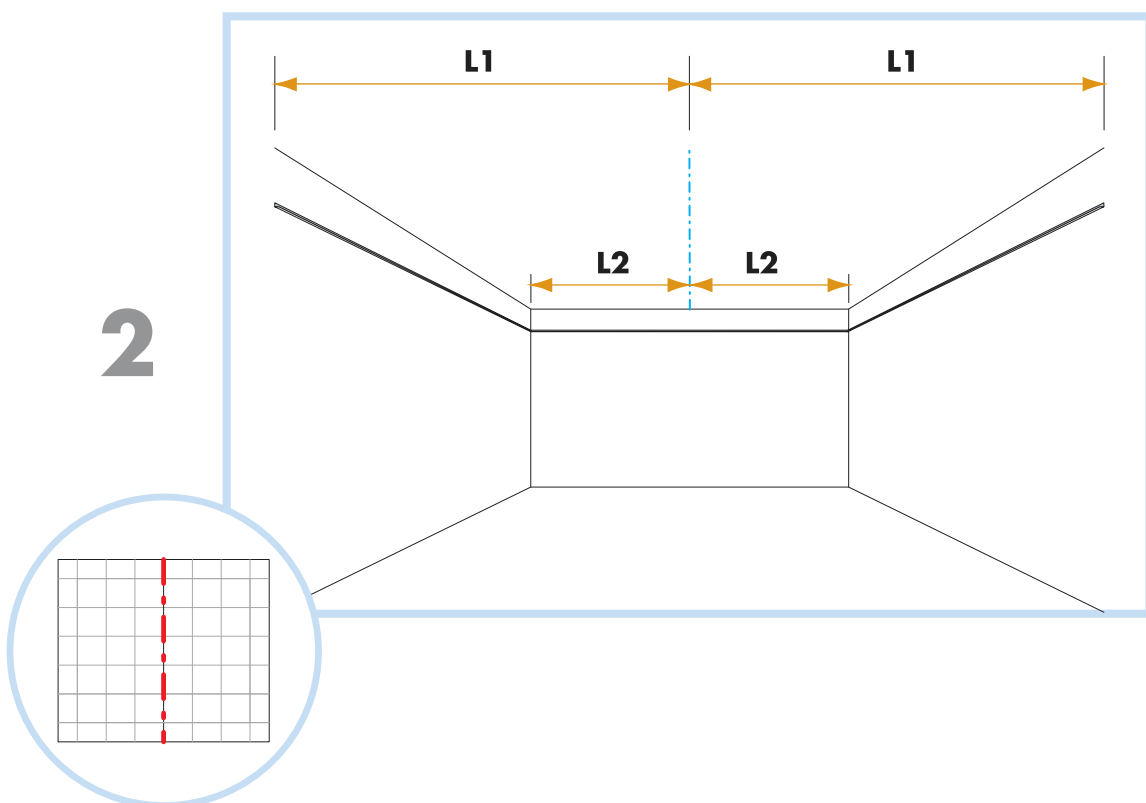
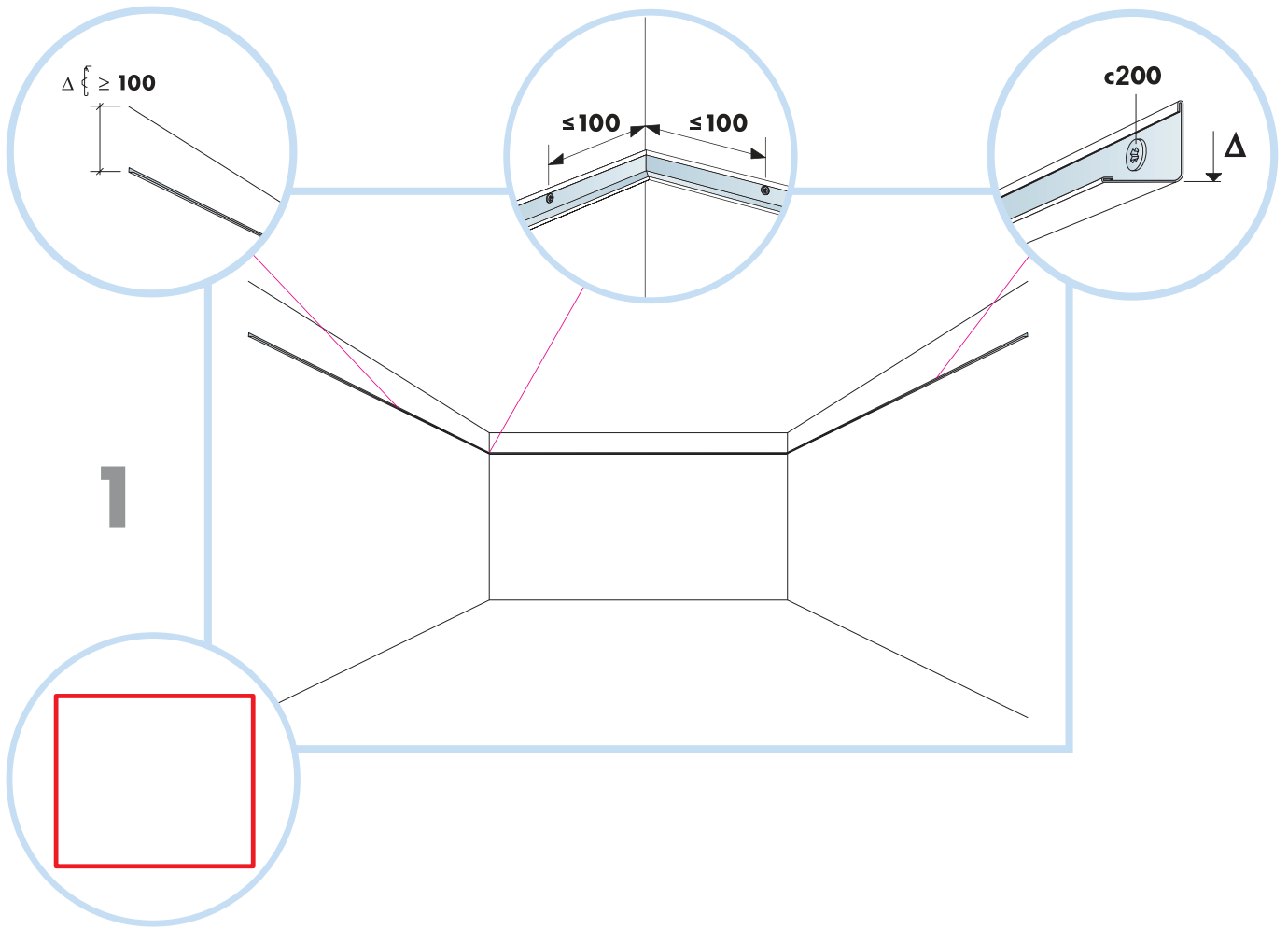
11. Connect Frieze bracket (if required)

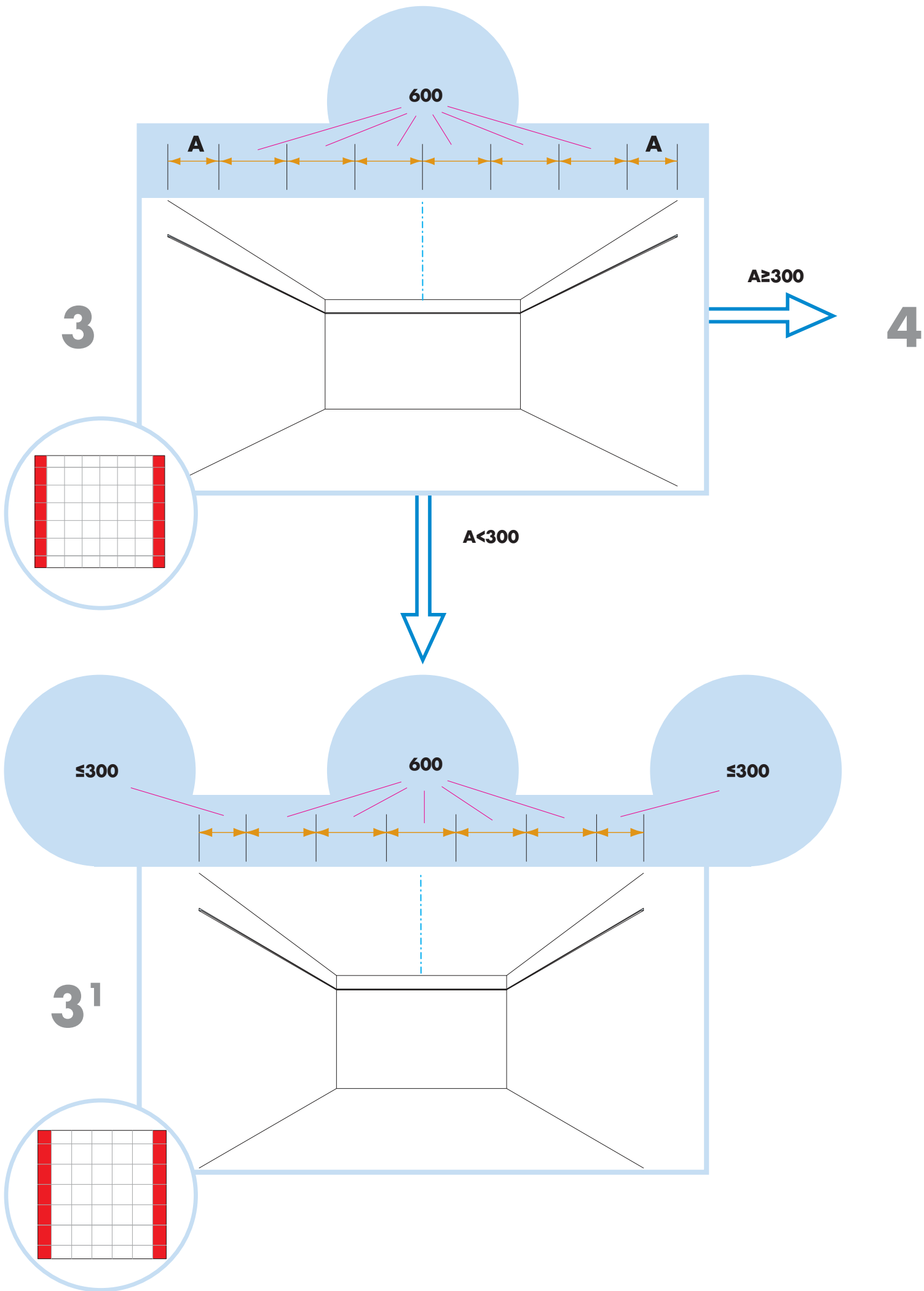


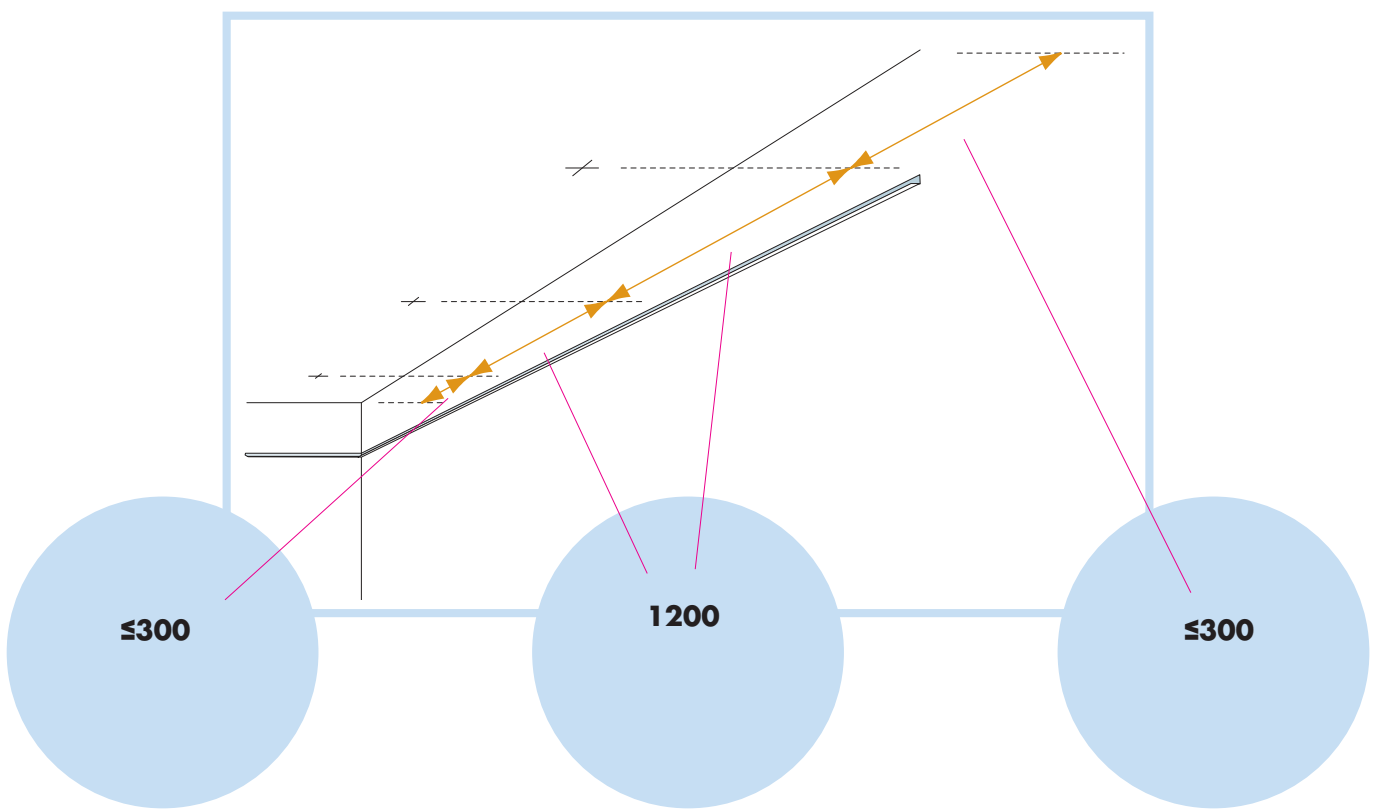
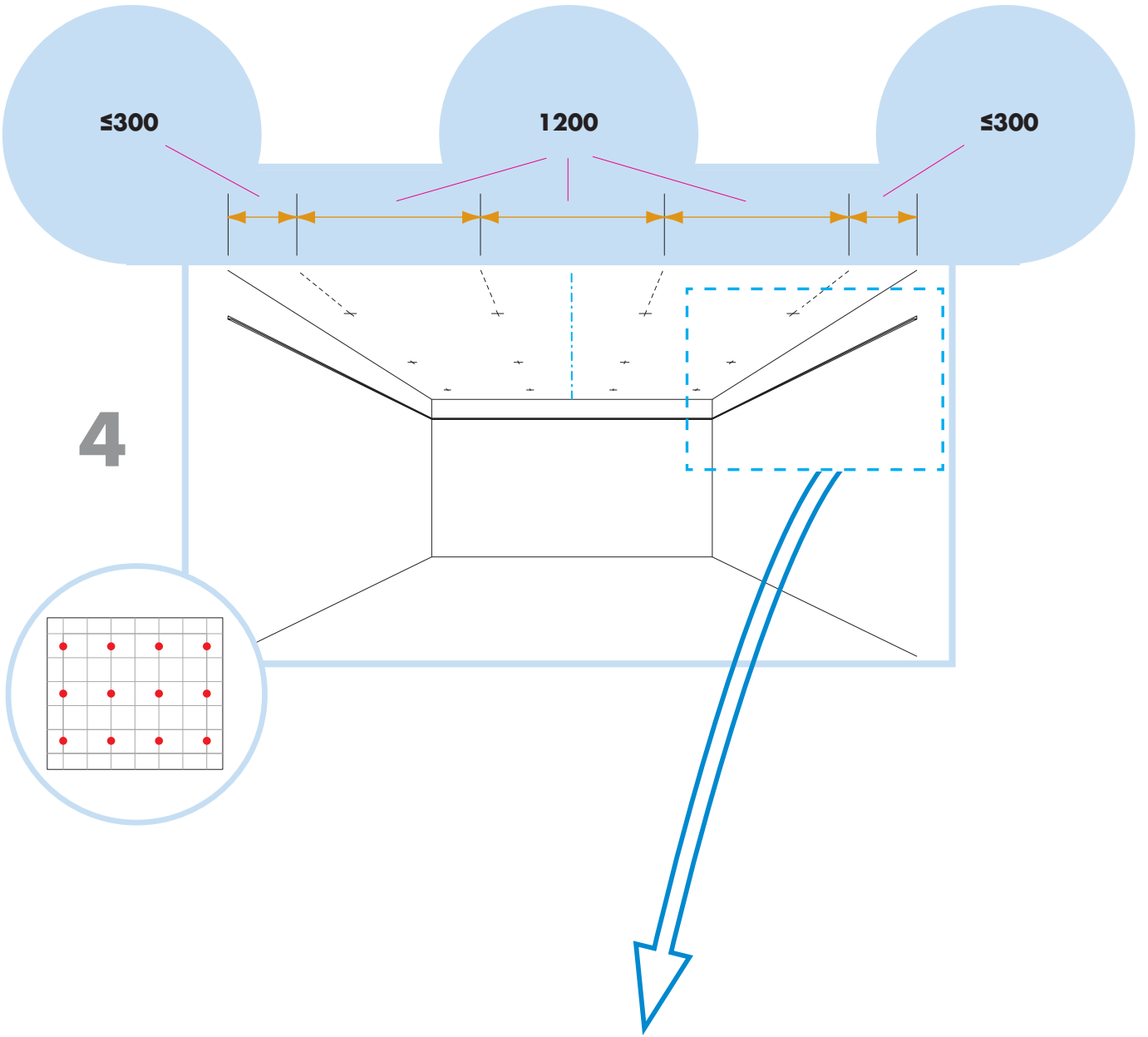
Ecophon[®]
SAINT-GOBAIN

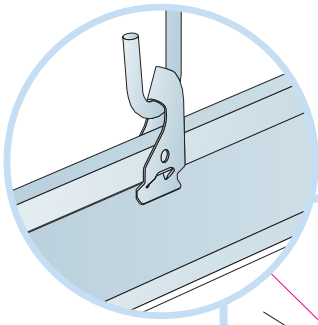
A SOUND EFFECT ON PEOPLE

www.ecophon.com

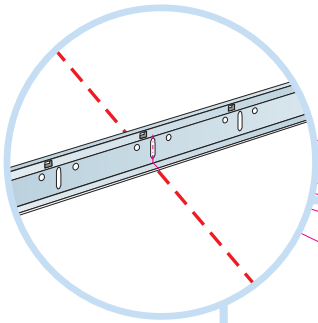
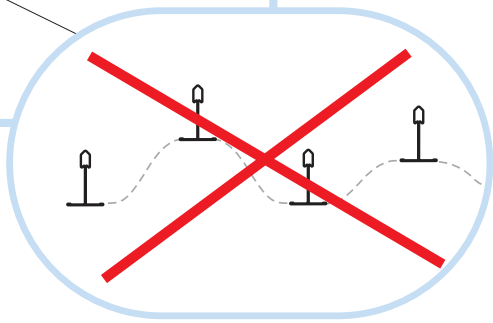
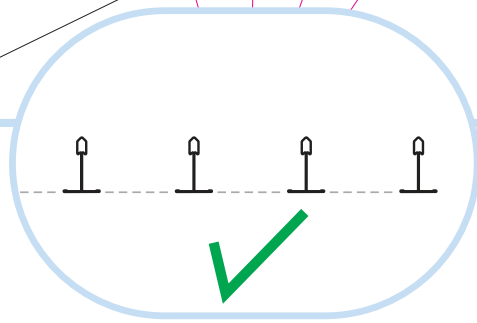
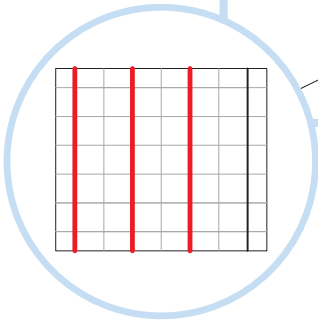
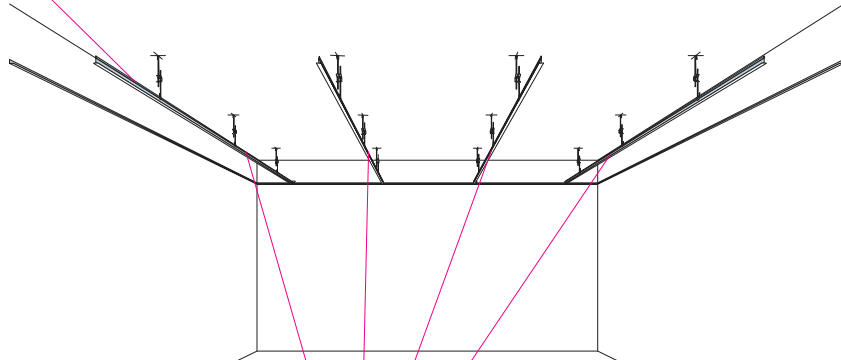




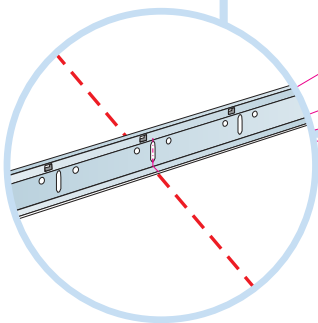
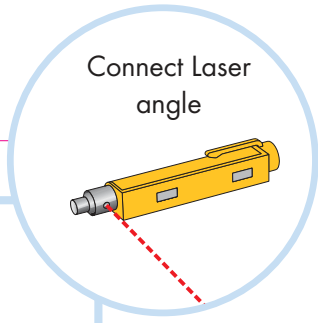
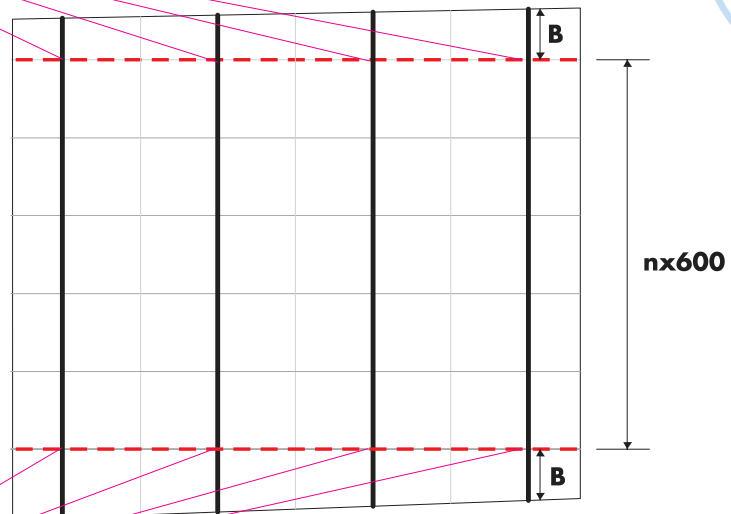


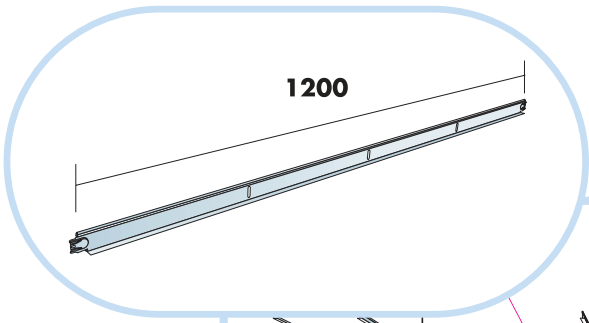


7

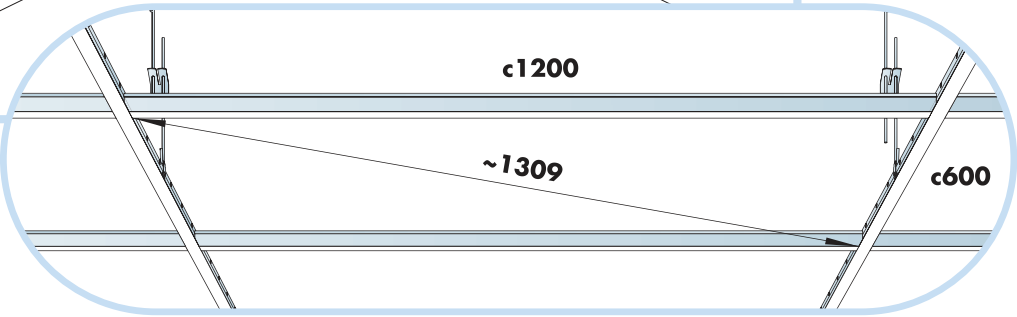
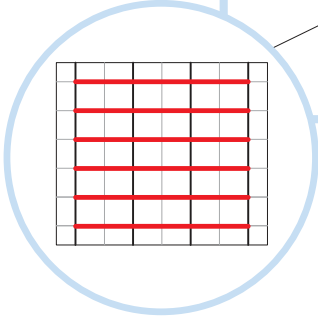
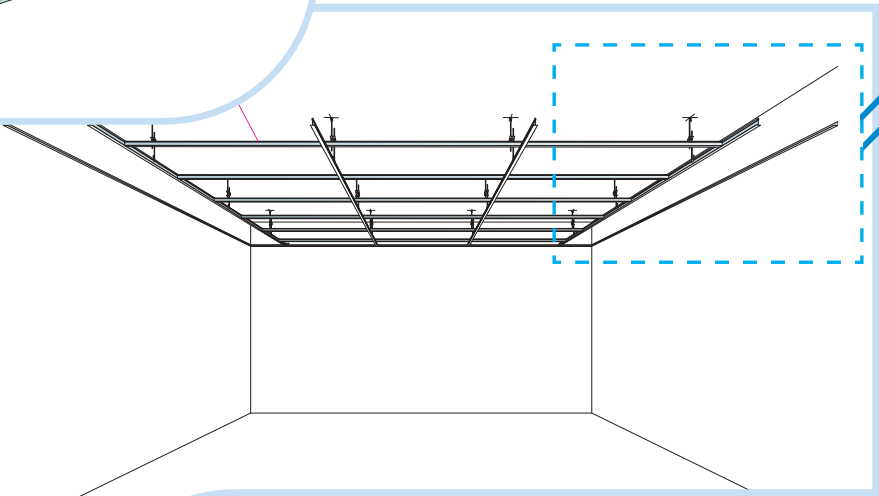


7₁

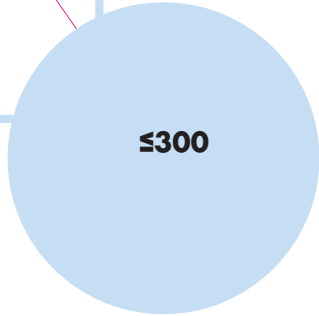
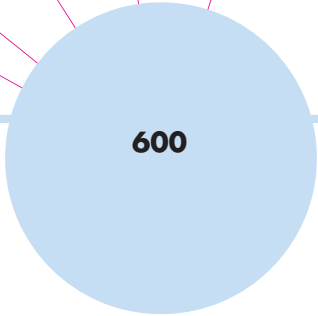
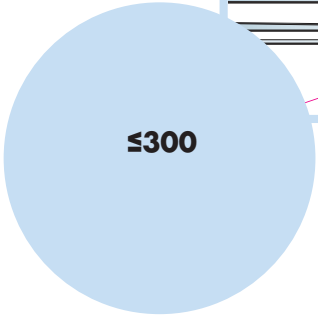
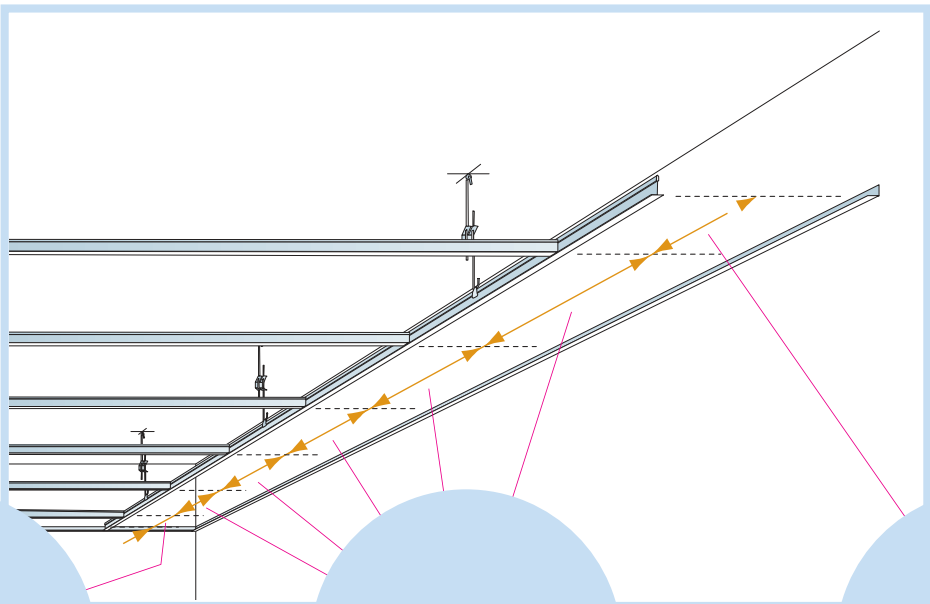


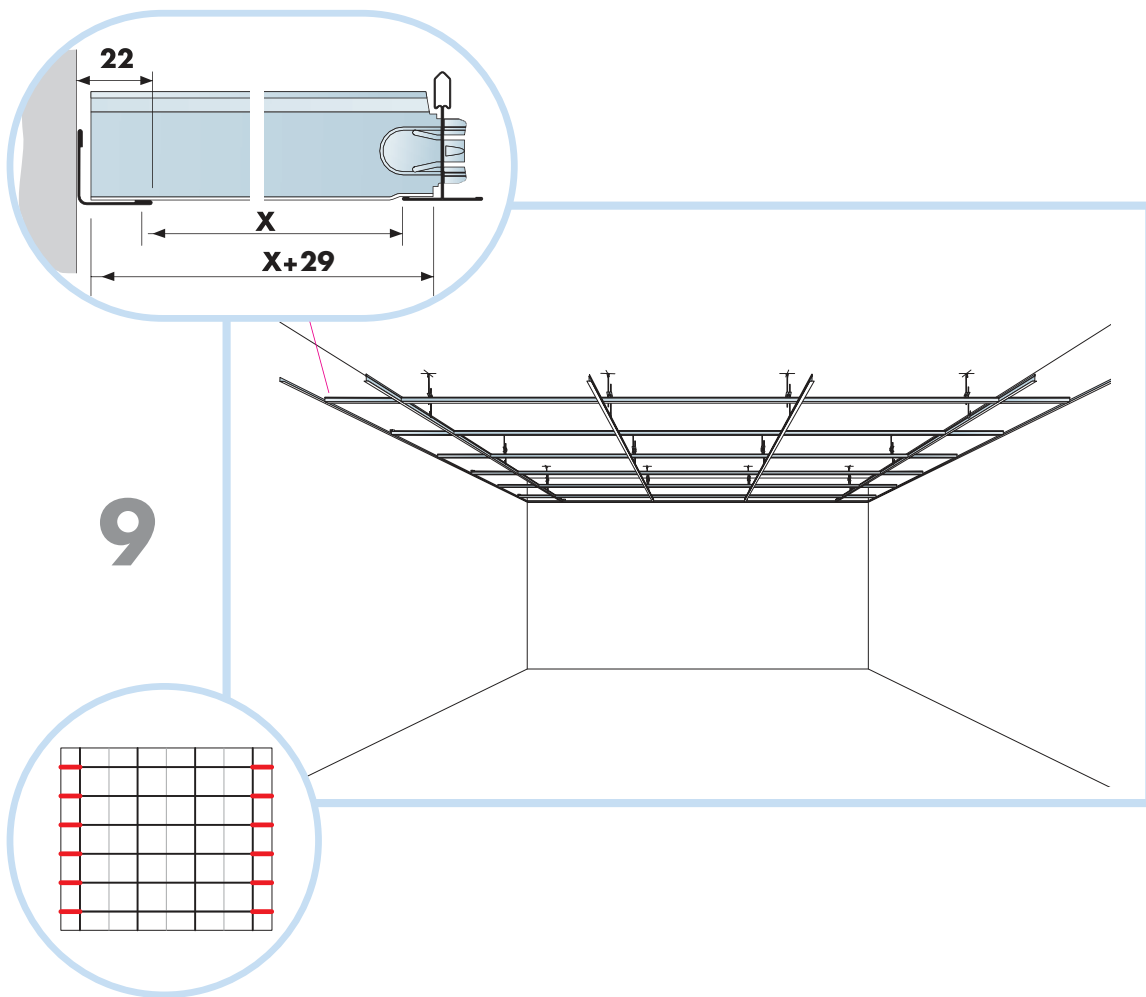


8

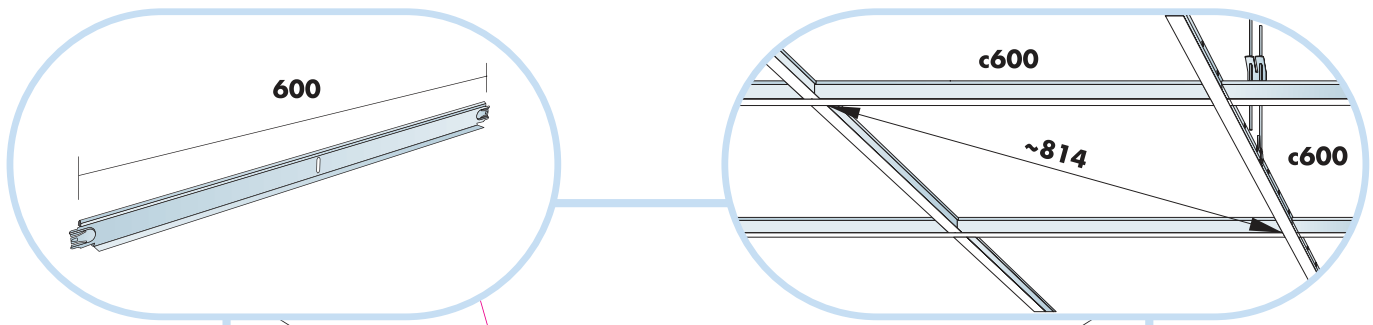


8₁

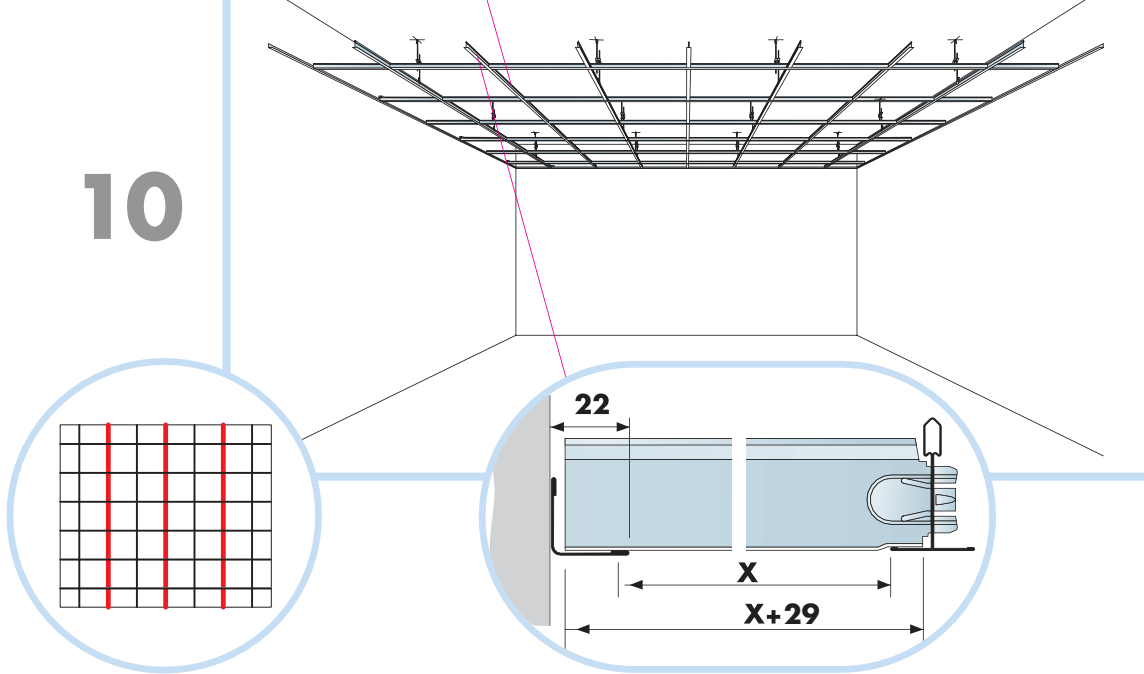




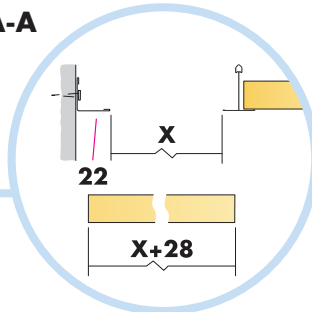
- 600x600 → 10
- 1200x600 → 11
- Combison Barrier x 1 → 12
- Combison Barrier x 2 → 13
- Combison XR → 14



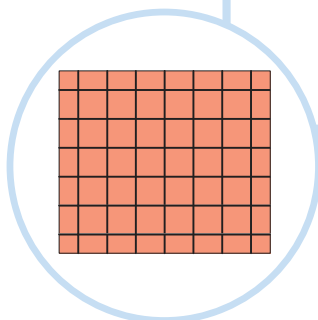
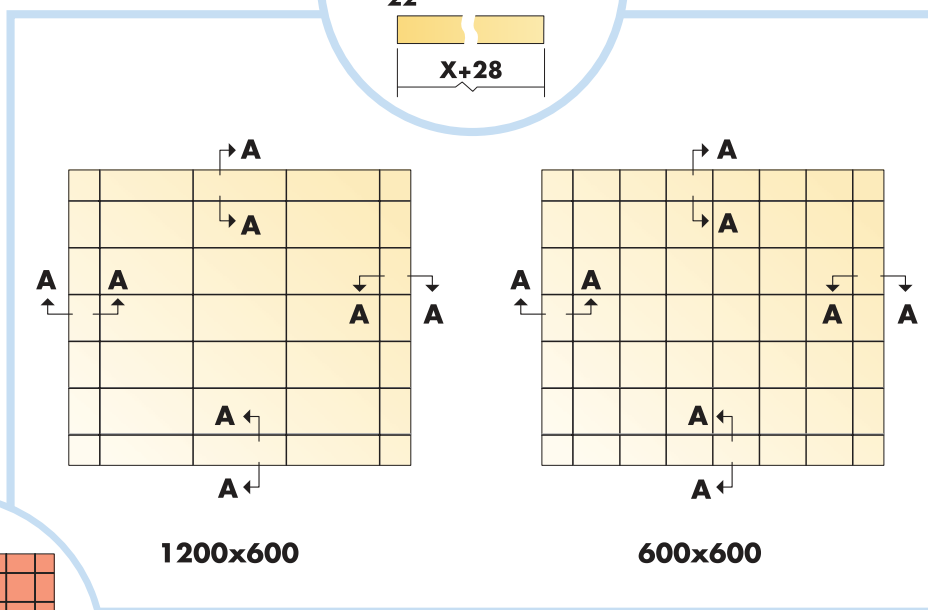
10

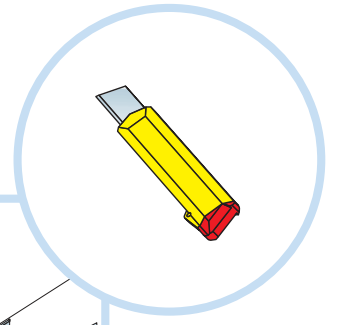
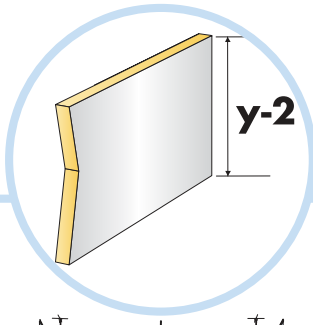
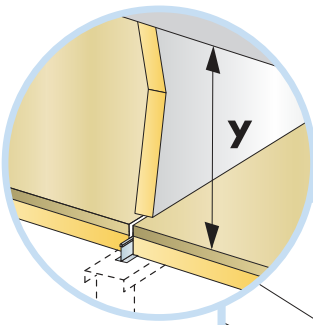


A-A

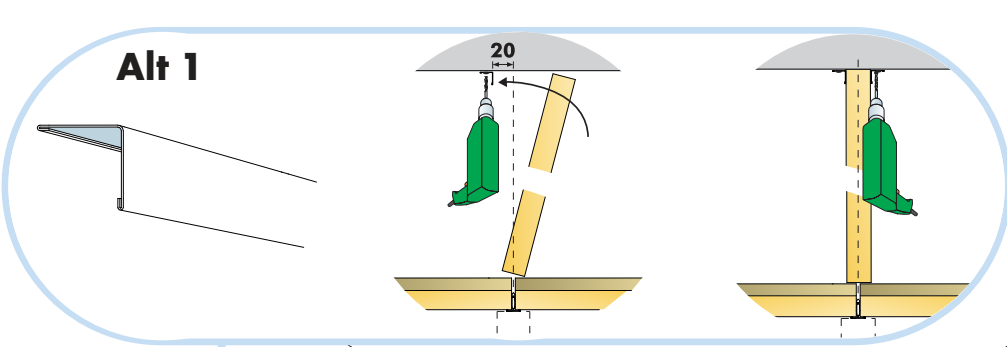
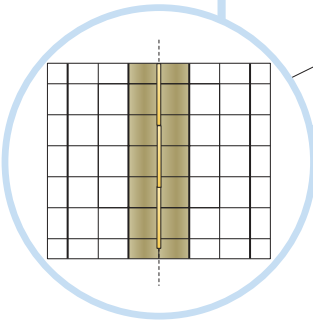
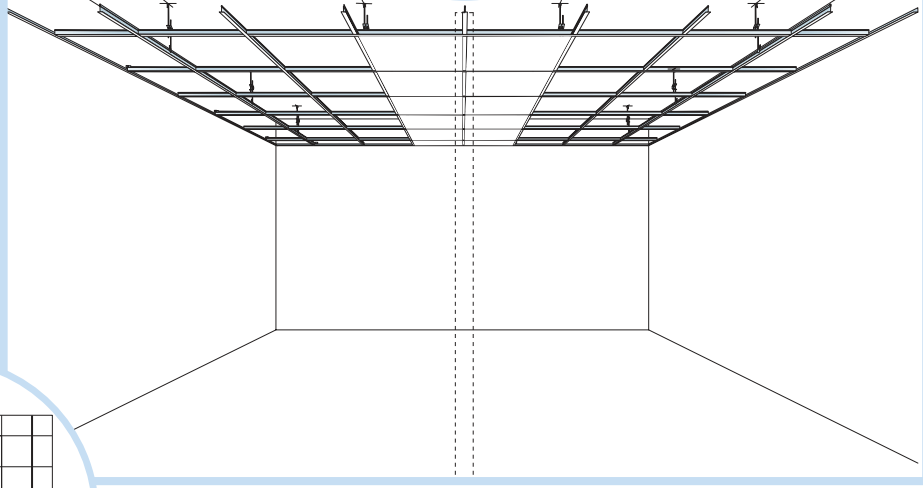


11

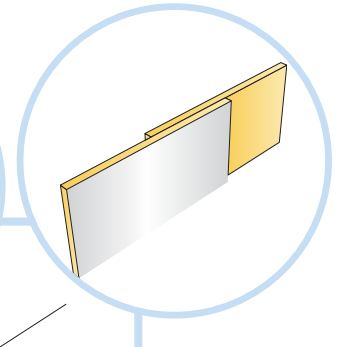




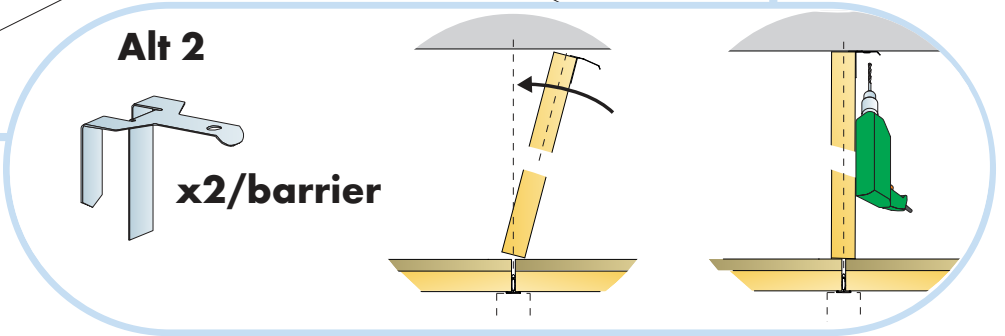
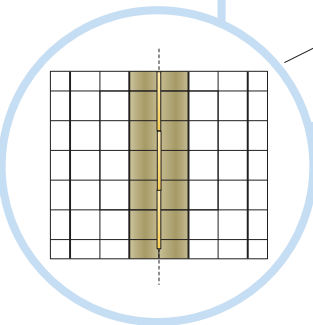
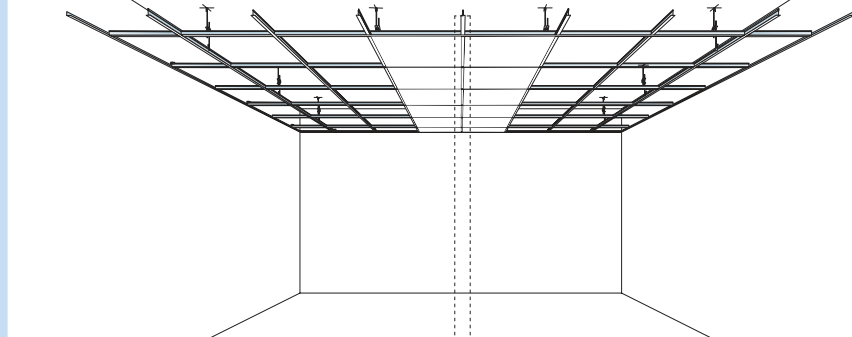
12₁



Alt 1

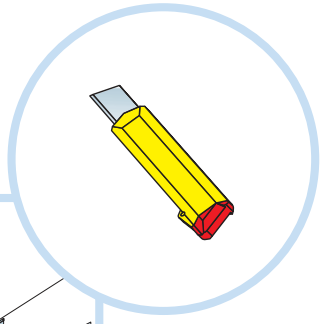
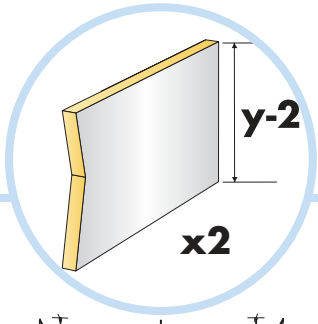
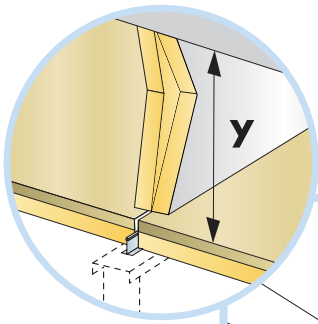


12₂

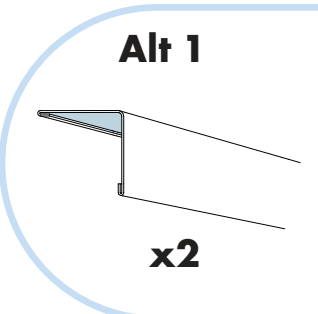
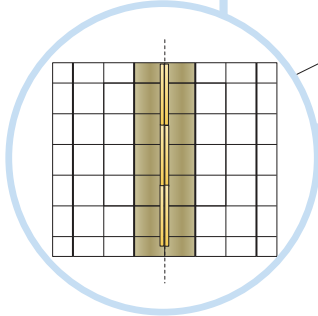
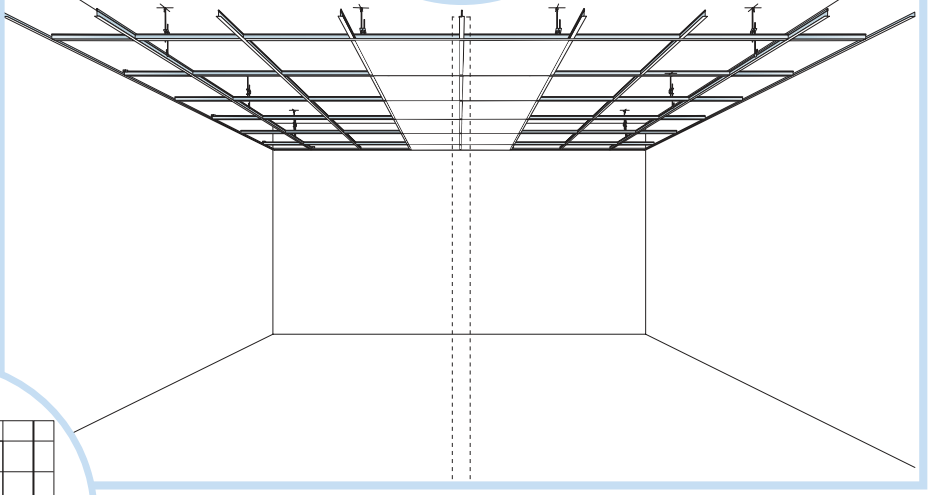


Alt 2

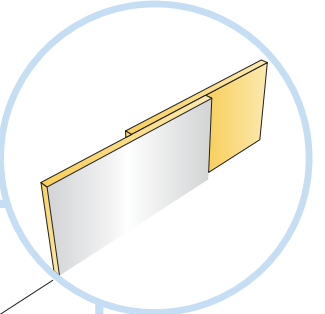
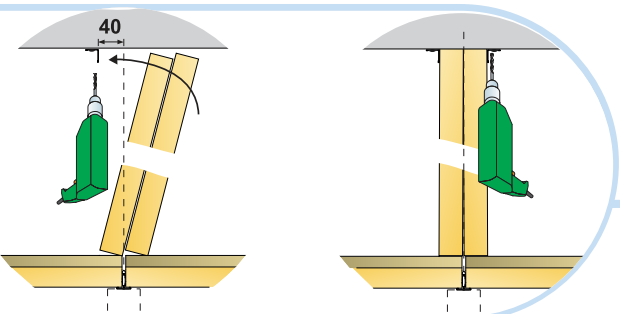
x2/barrier



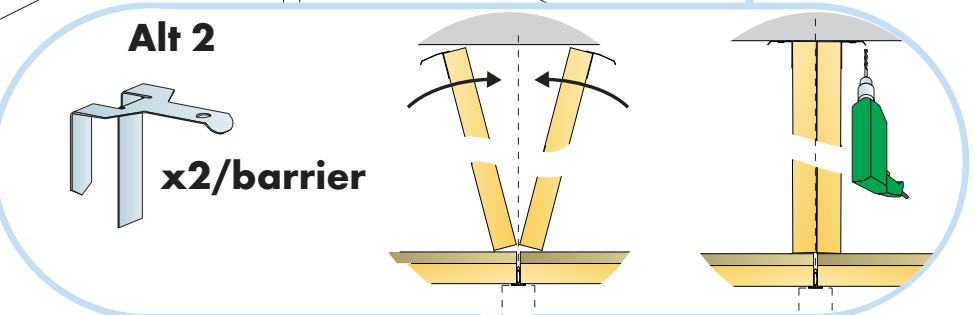
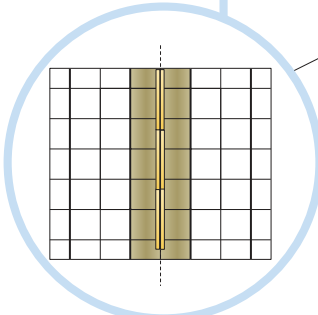
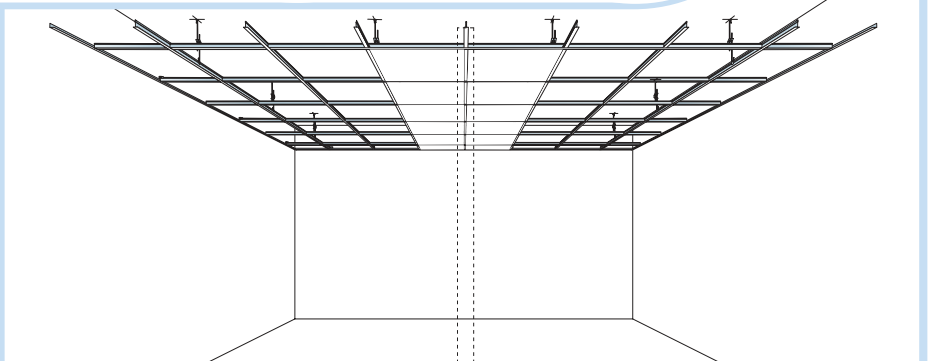
13₁



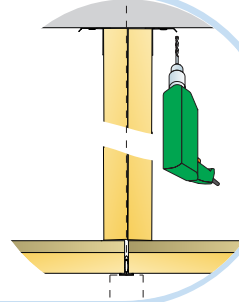
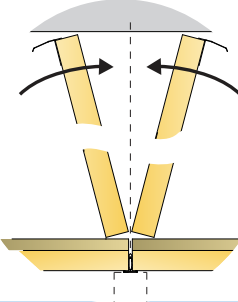
Alt 1



13₂



Alt 2



14

