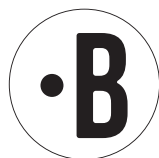
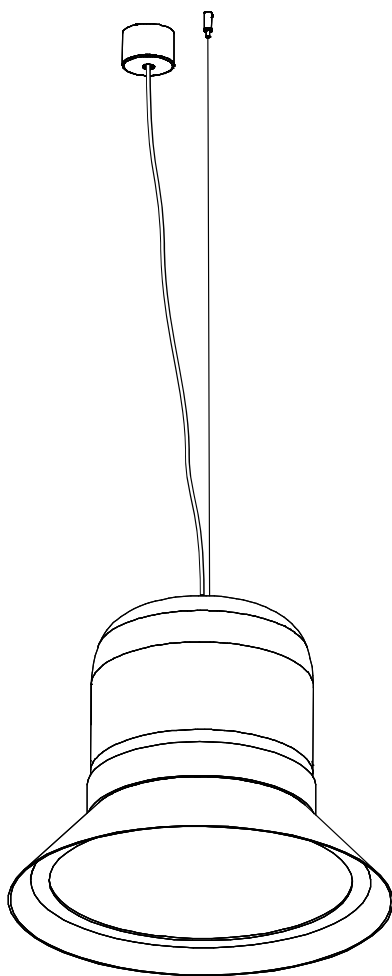


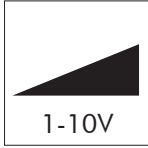
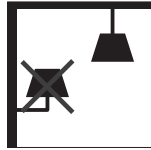
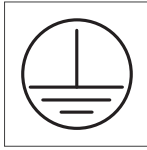
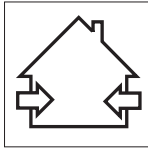
BuzziHat

INSTALLATION MANUAL

220-240V



Technical info

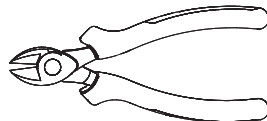
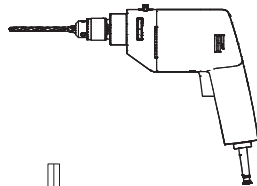
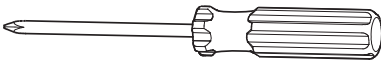
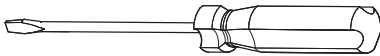


Environmental Protection

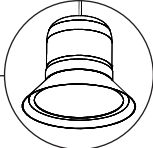
Waste electrical products should not be disposed of with household waste. Please recycle where facilities exist. Check with your Local Authority or retailer for recycling advice.

⚠ The light source of this luminaire is not replaceable; when the light source reaches its end of life the whole luminaire shall be replaced.

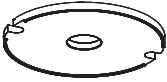
Excl.



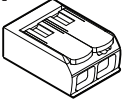
incl. BuzziHat



1x

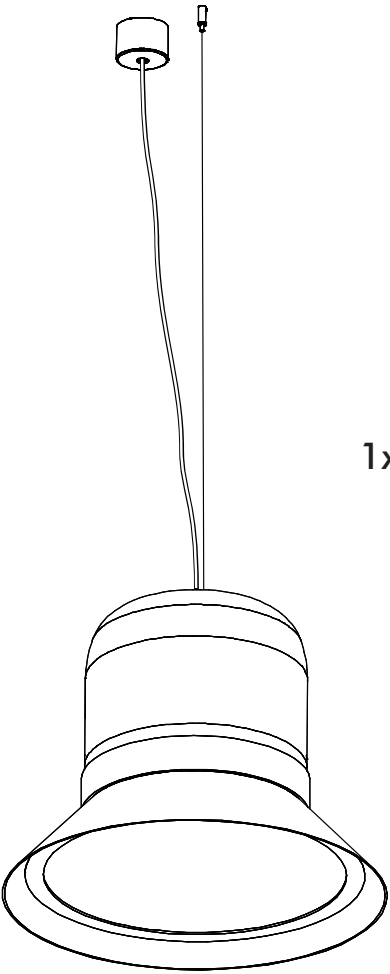


5x



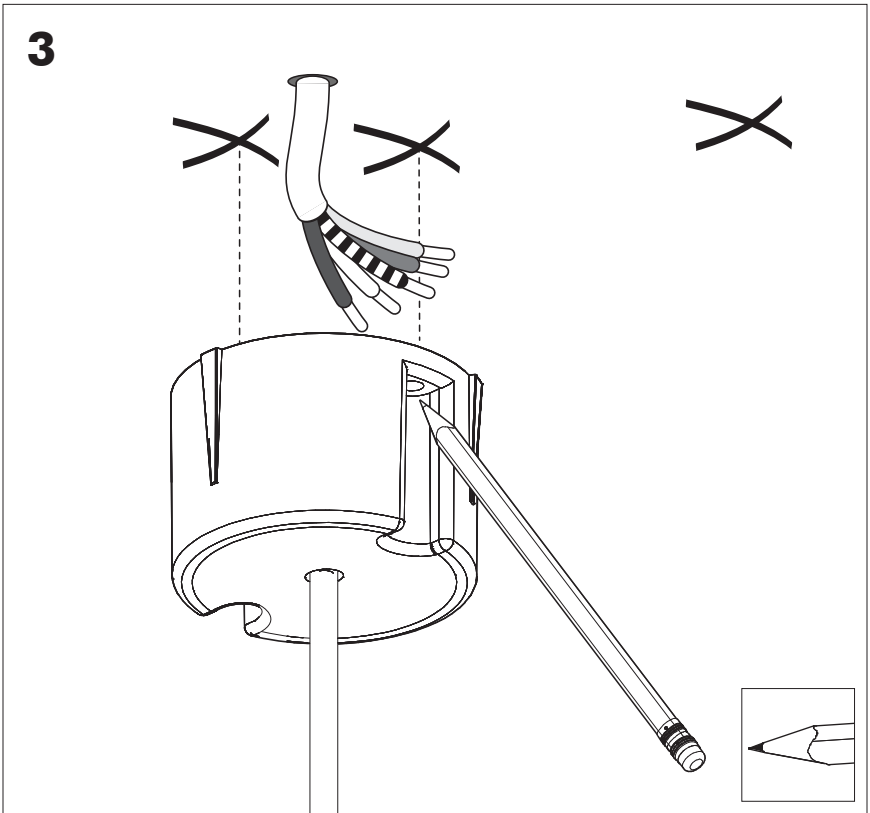
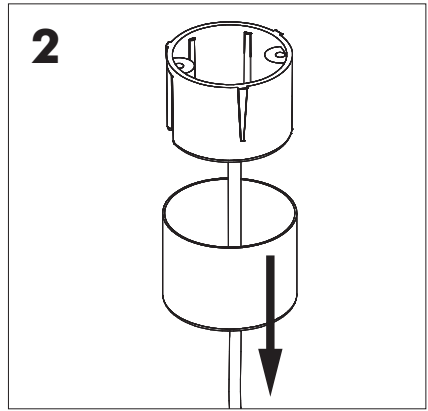
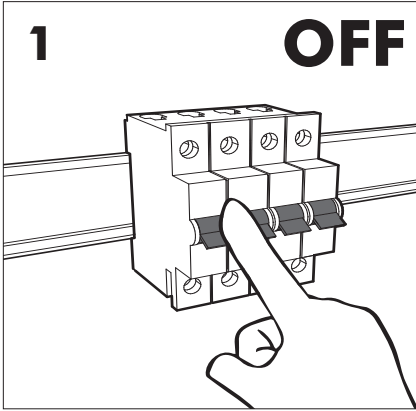
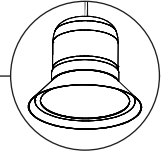
M6

1x

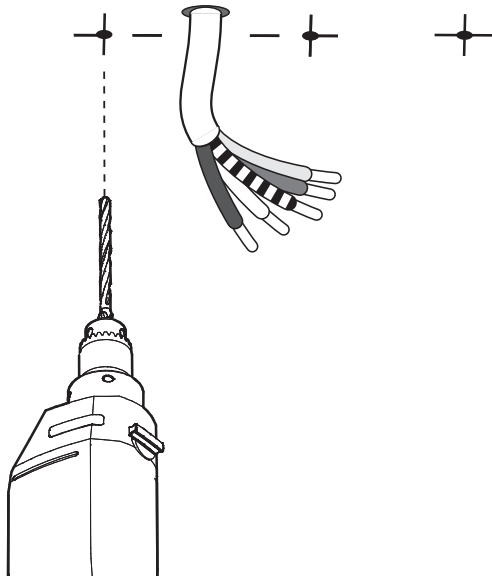


BuzziHat

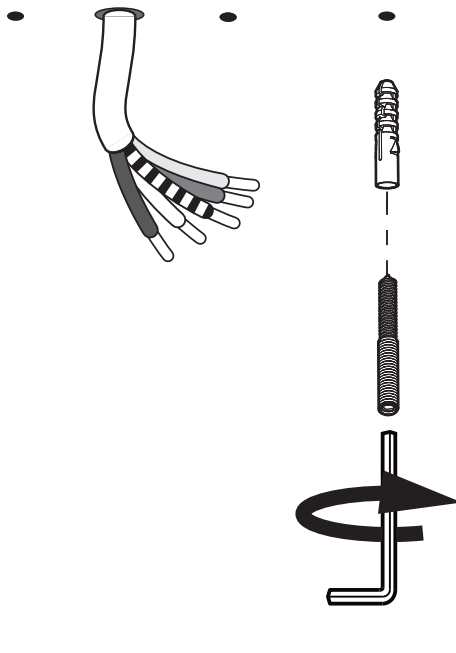
2 PERS. 



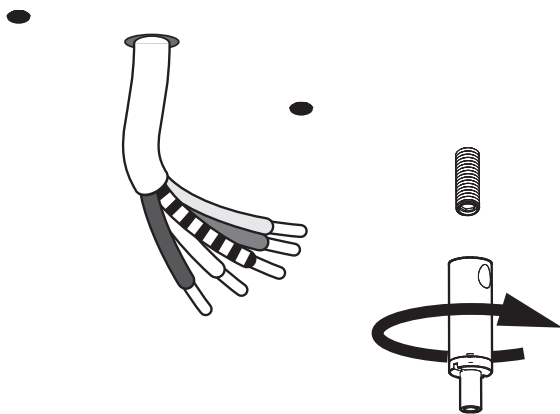
4



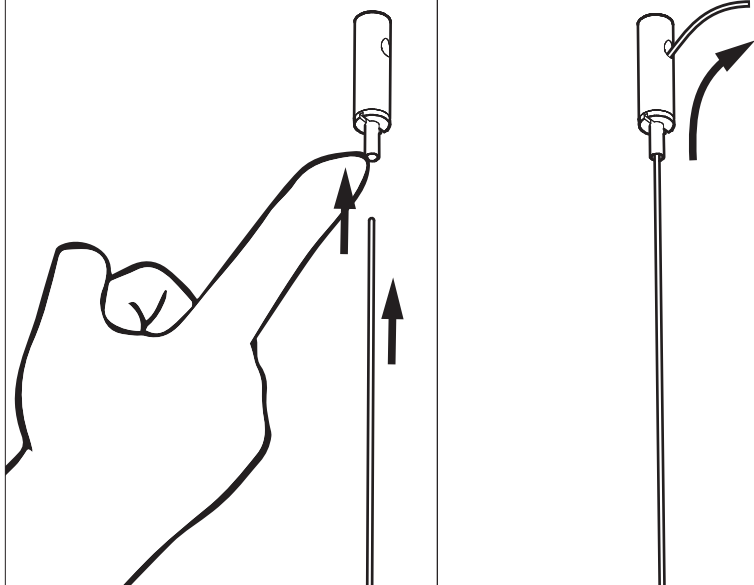
5



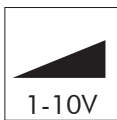
6



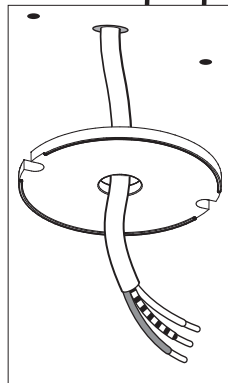
7



8a



Connection including dimmable function



Dim+

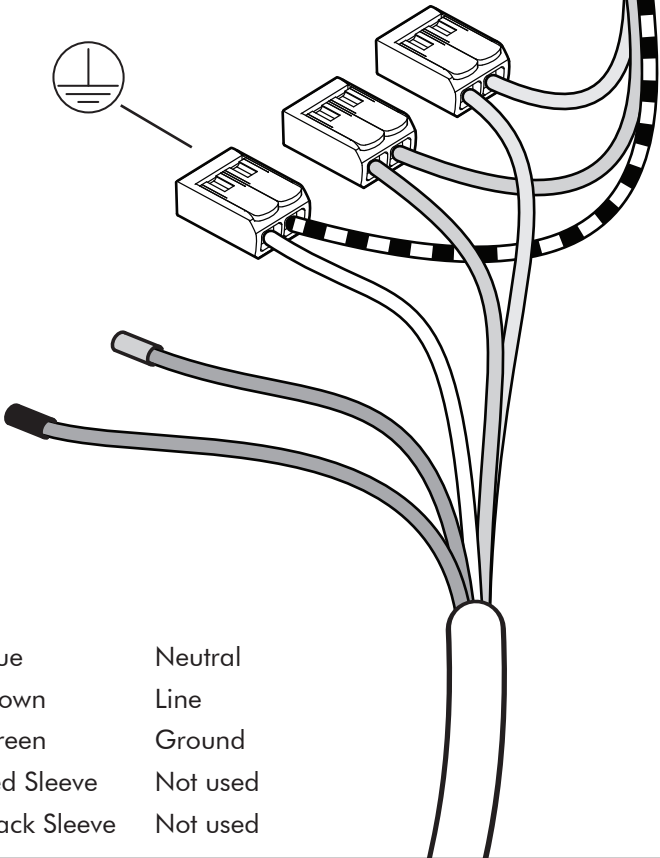
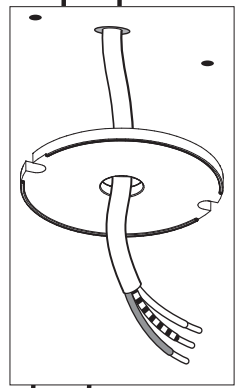


Dim-

Blue	Neutral
Brown	Line
Green	Ground
Red Sleeve	DIM +
Black Sleeve	DIM -

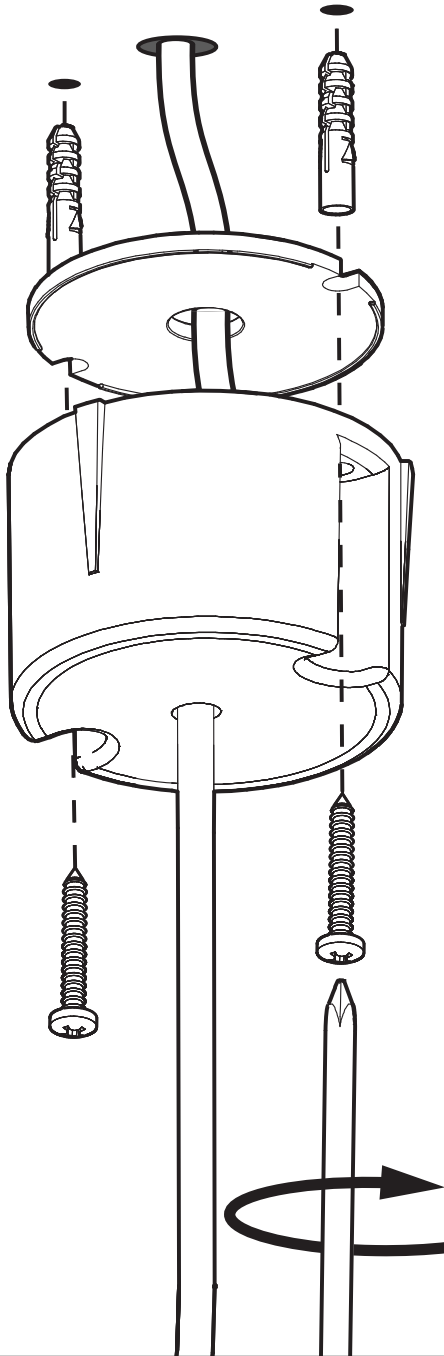
8b

Connection excluding dimmable function

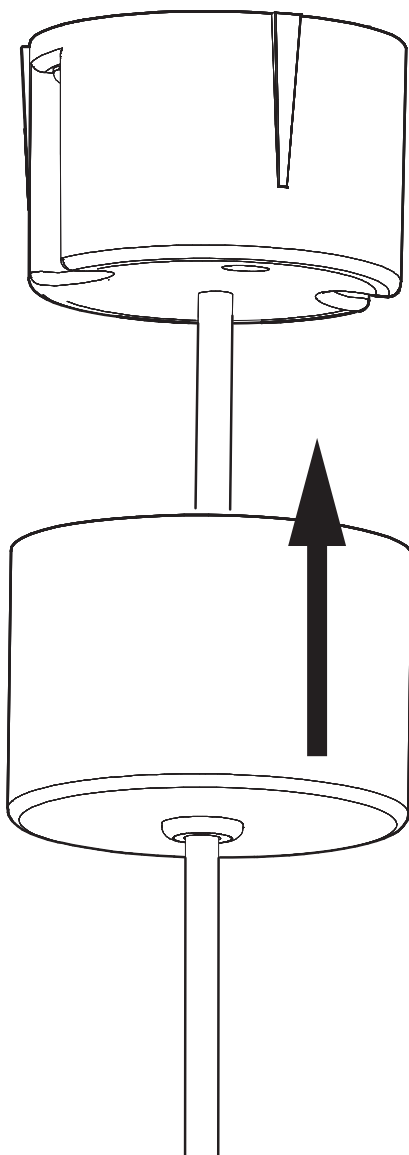


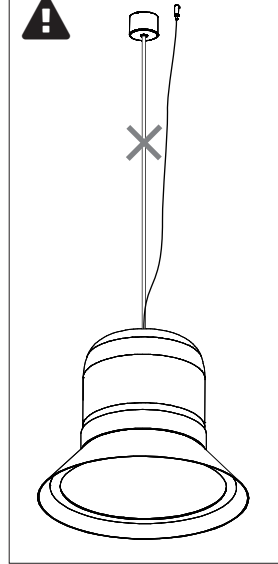
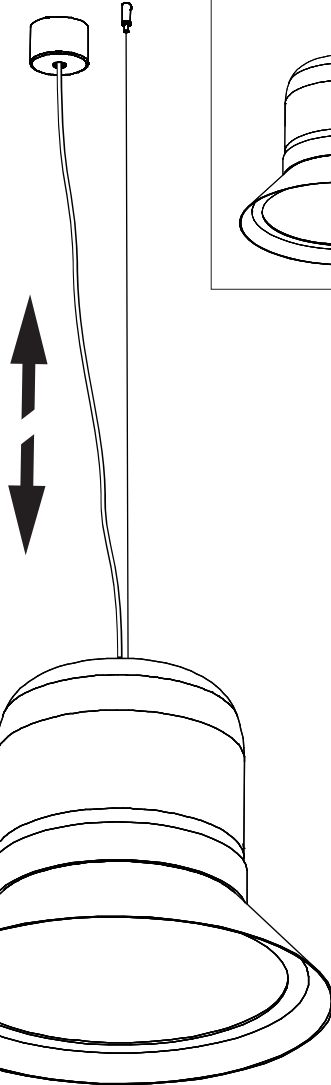
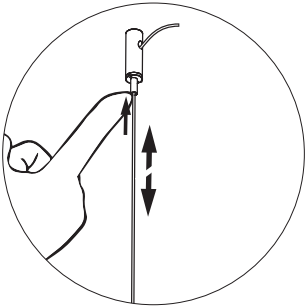
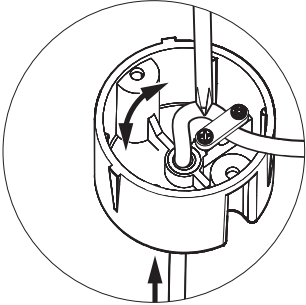
Blue	Neutral
Brown	Line
Green	Ground
Red Sleeve	Not used
Black Sleeve	Not used

9



10





BuzziSpace
Groeningenlei 141
2550 Antwerp, Kontich
Belgium
☎ +32 (0)3 846 10 00
✉ info@buzzi.space
🌐 www.buzzi.space



A-0000003388/1
Last update: 04/09/2018