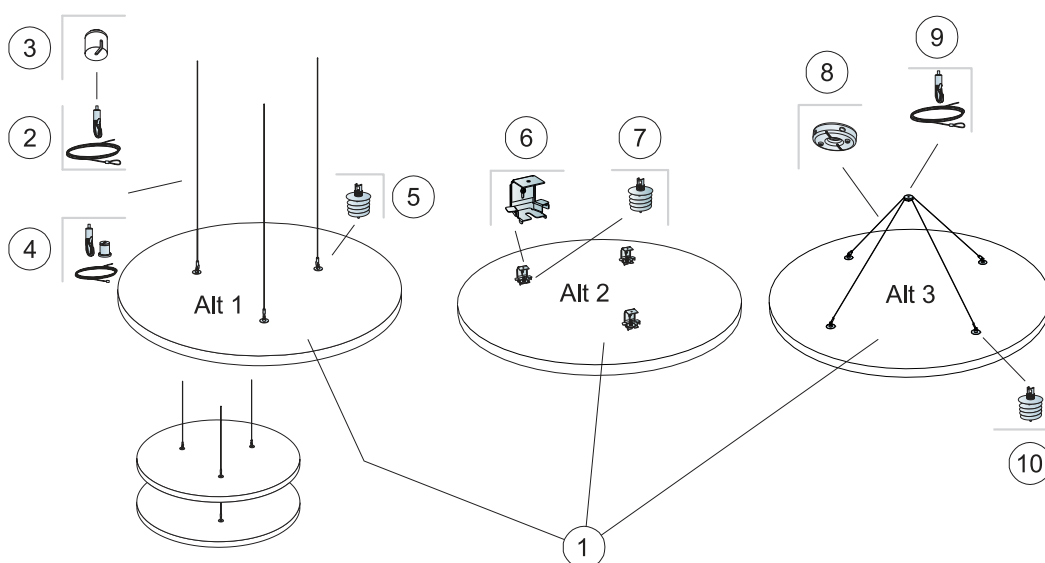


Ecophon Solo™ Circle

Ø1200
M410



1. Ecophon Solo Circle Ø1200

2. Connect Adjustable wire hanger
L=2000/5000 mm

3. Connect Covering cup

4. Connect Adjustable wire kit
L=800/1500 mm

5. Connect Absorber anchor

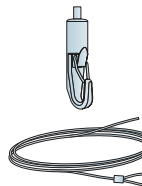
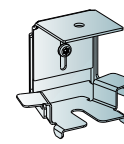
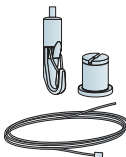
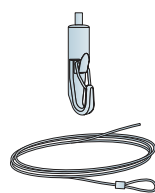
6. Connect Absorber bracket
 $\Delta=90-110, 110-130$

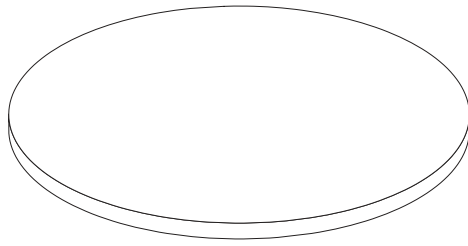
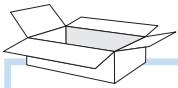
7. Connect Absorber anchor

8. Connect One-point fixing

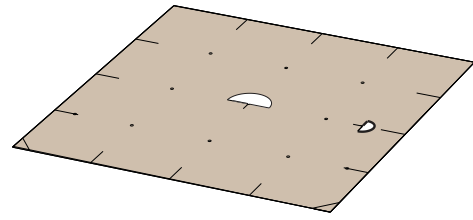
9. Connect Adjustable wire hanger
L=2000 mm

10. Connect Absorber anchor





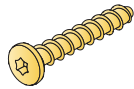
x4



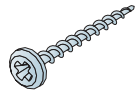
x1



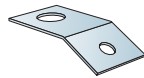
Connect Anchor screw with eye



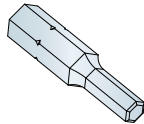
Connect Anchor screw



Connect Installation screw MWL



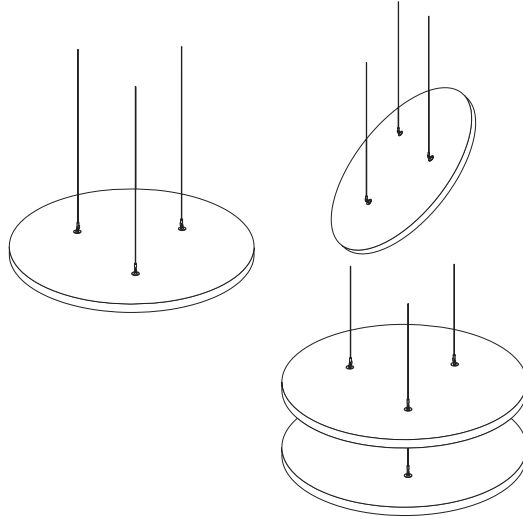
Connect Fixing plate



Connect Absorber anchor bit

Ecophon
SAINT-GOBAIN

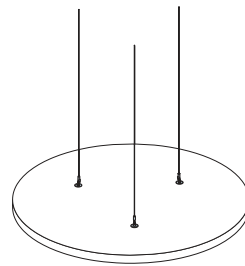
Alt 1



→ 1



&



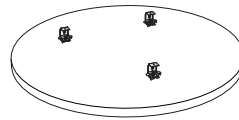
→ 8

→ 11

Alt 2



&



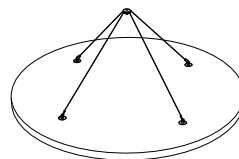
→ 12

→ 17

Alt 3

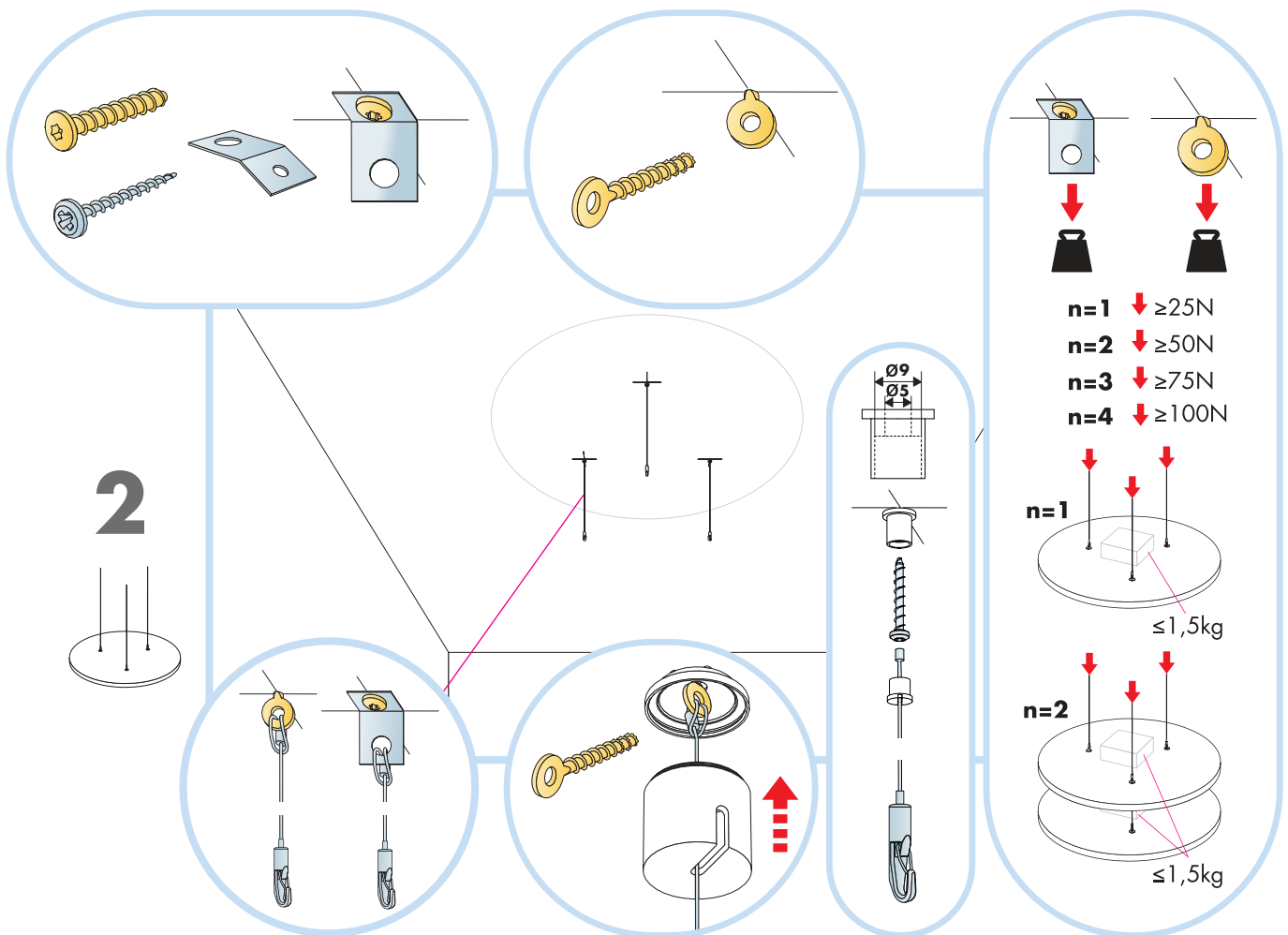
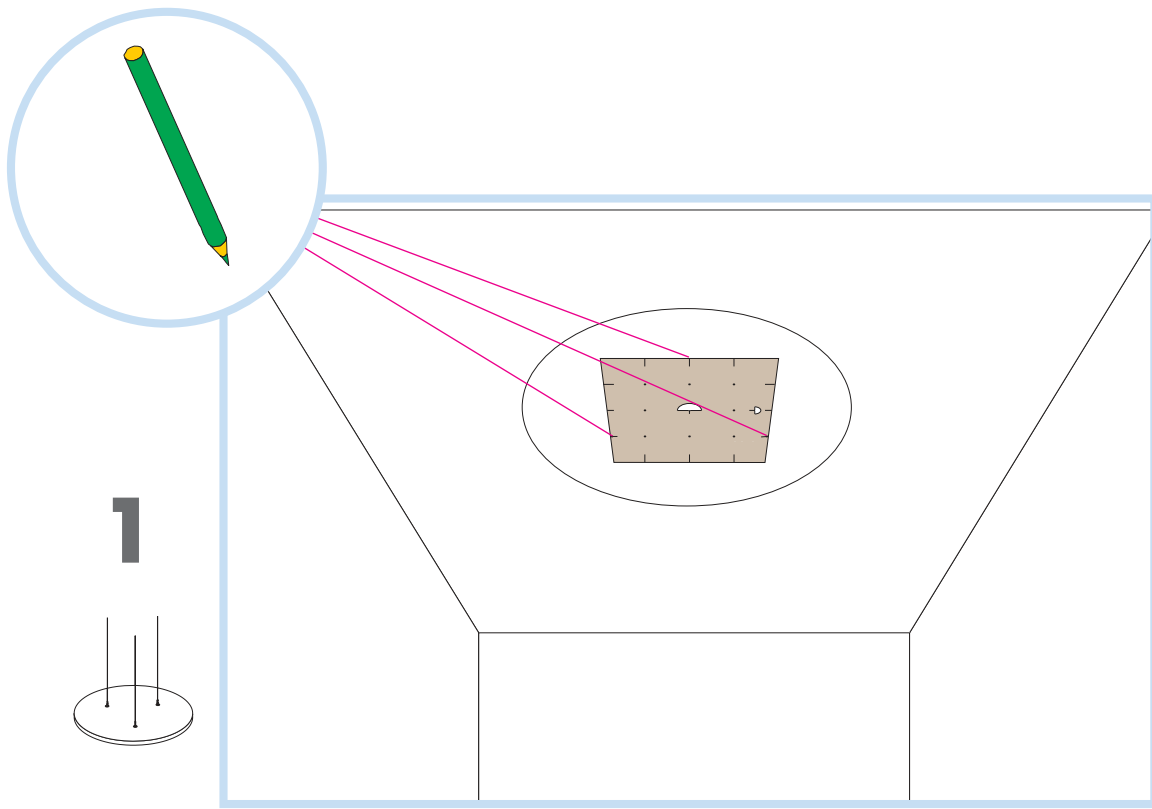


&

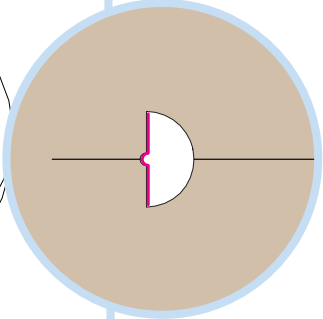
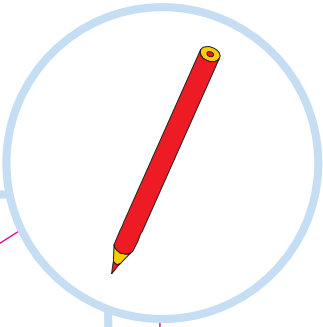
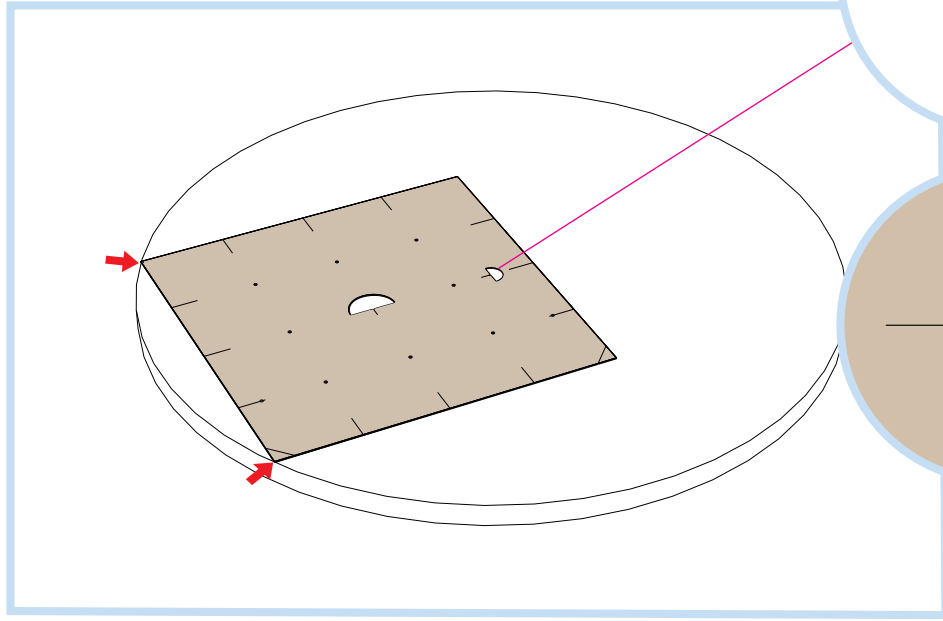
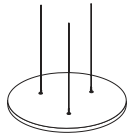


→ 18

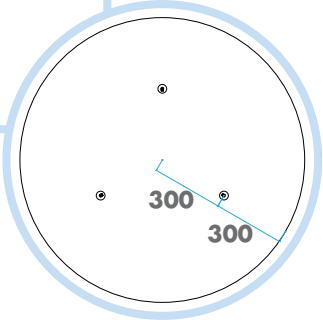
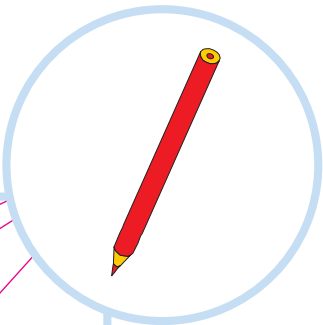
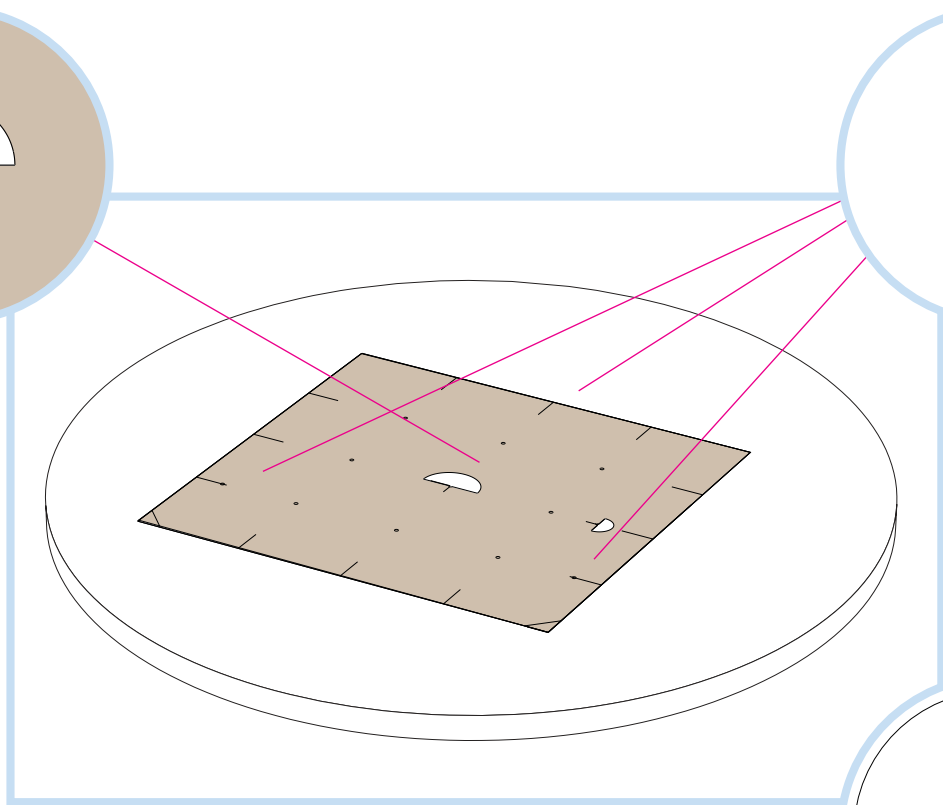
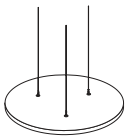
→ 24

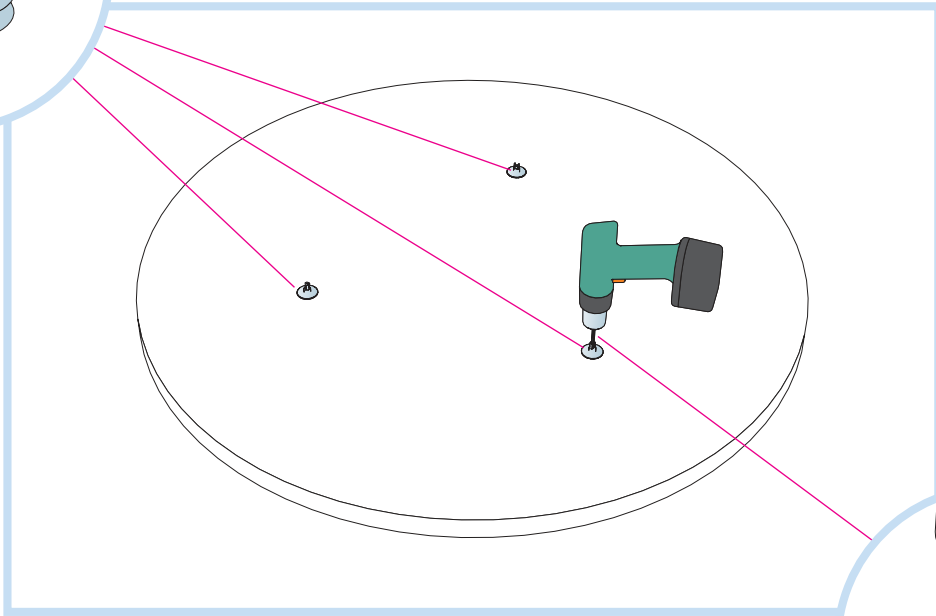
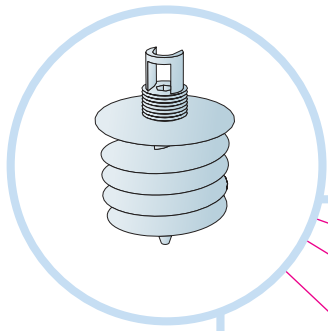


3

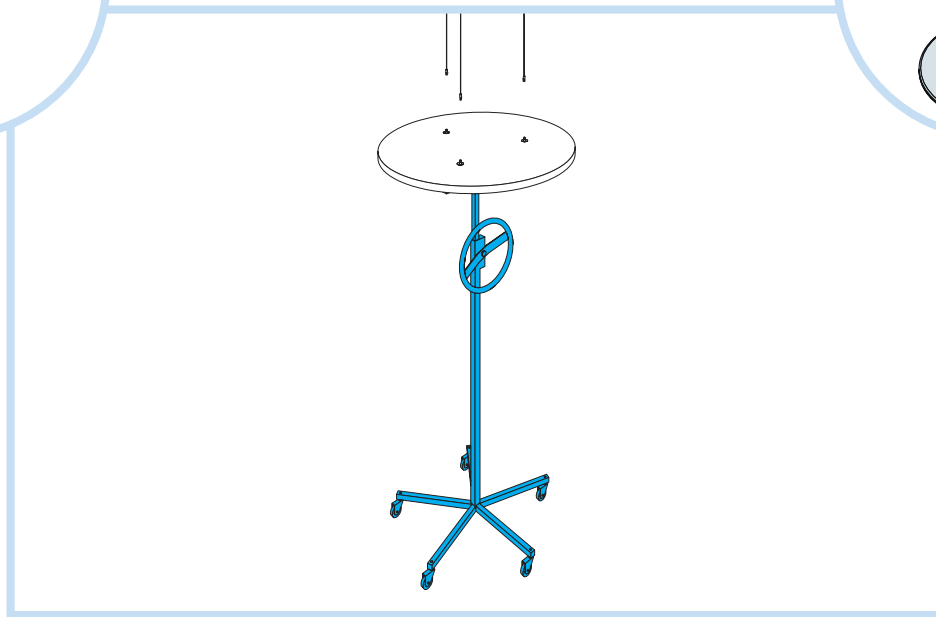
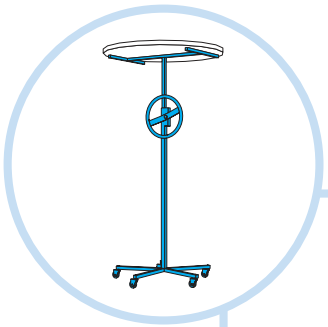
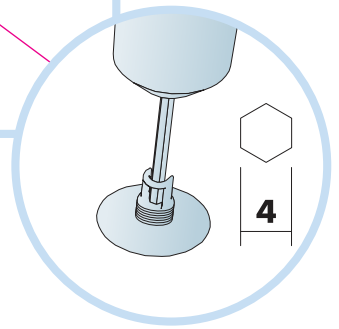
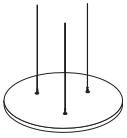


4

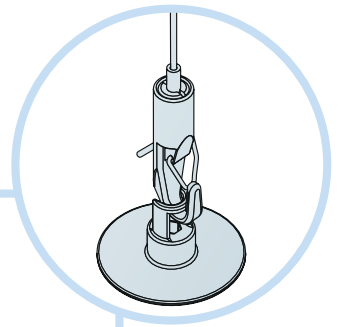
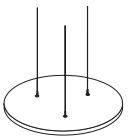


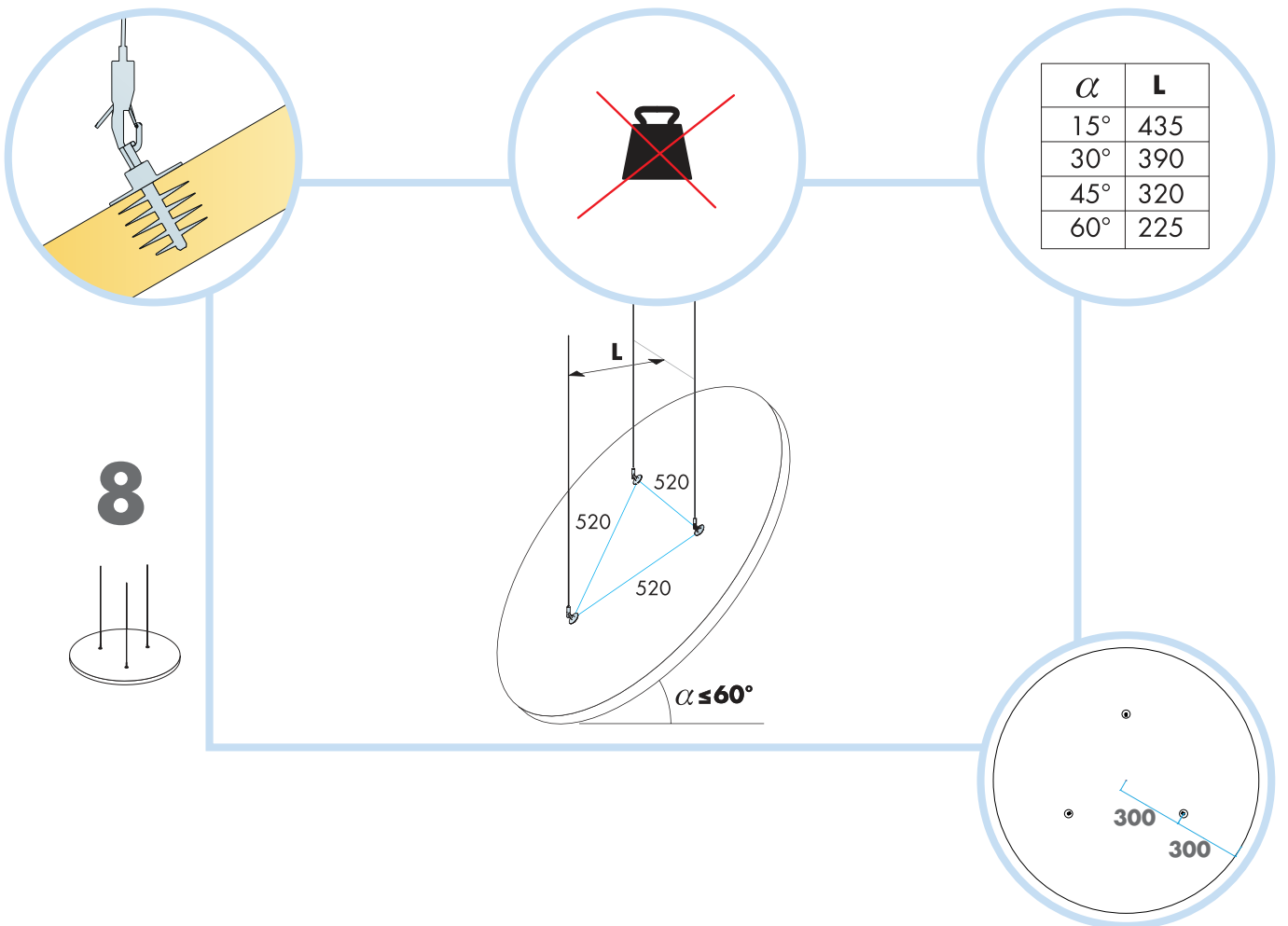
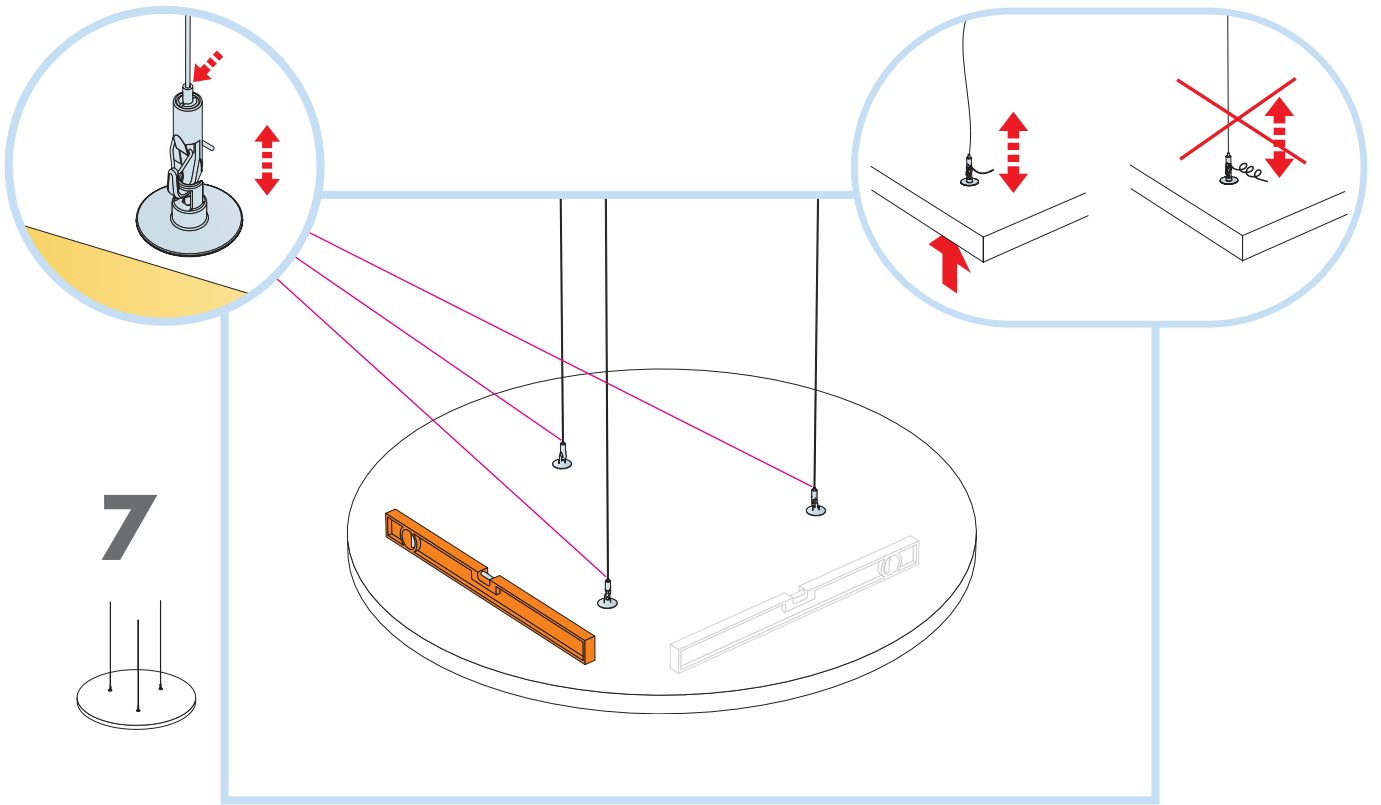


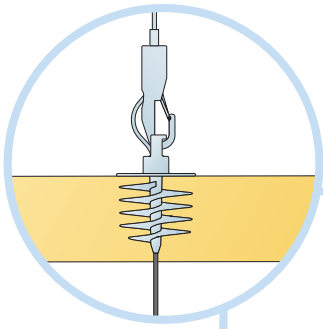
5



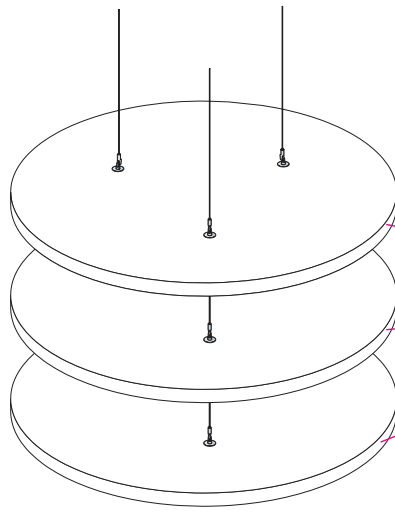
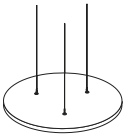
6



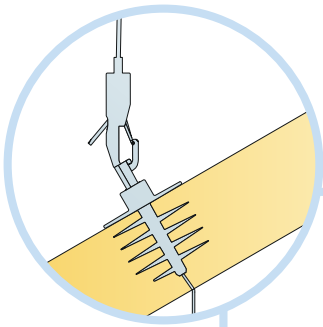




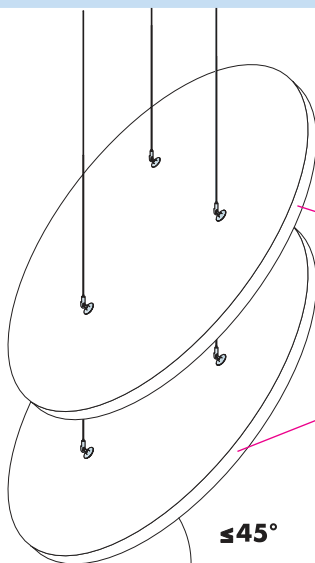
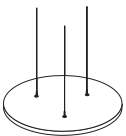
9



≤4

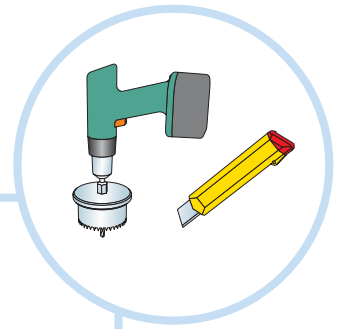
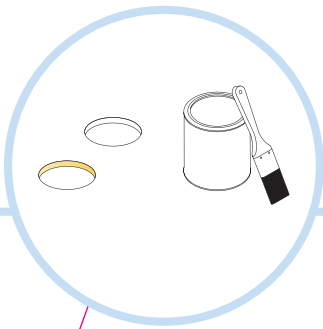
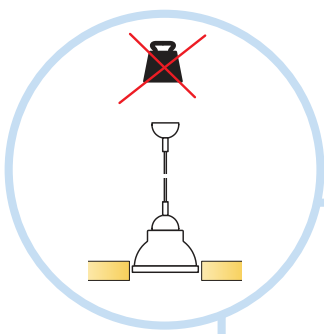


10

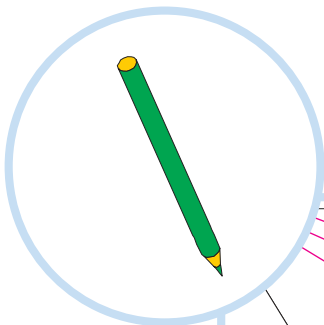
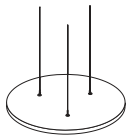
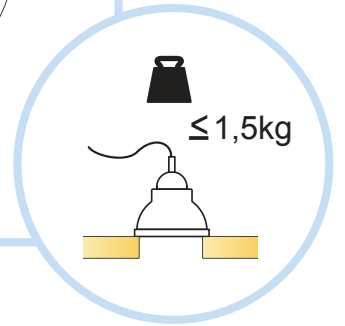
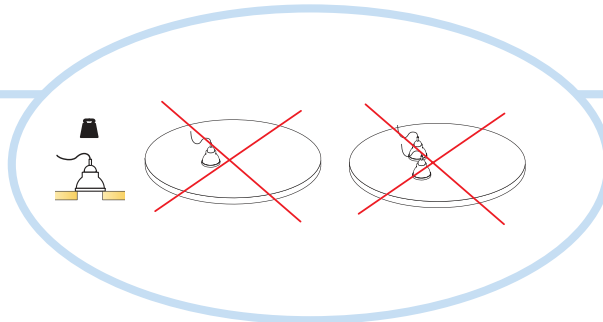
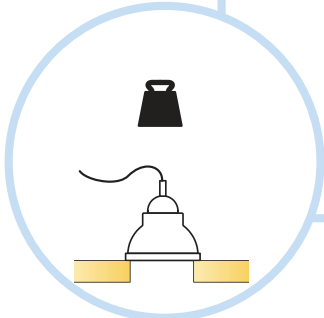
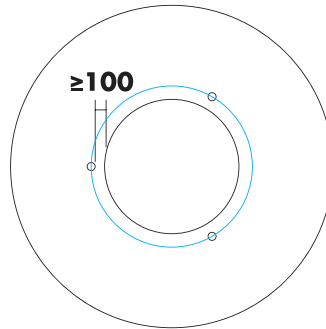
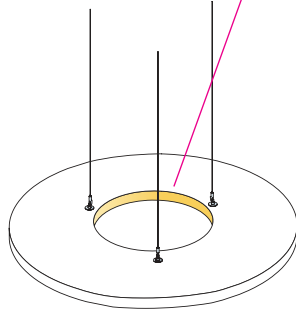


≤3

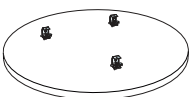
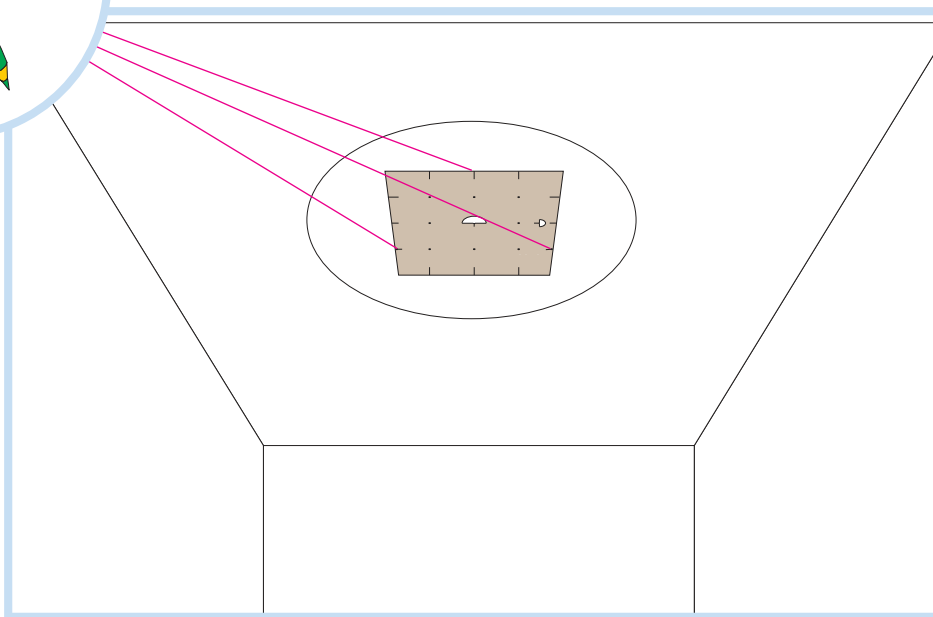


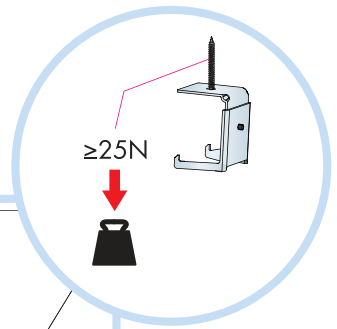
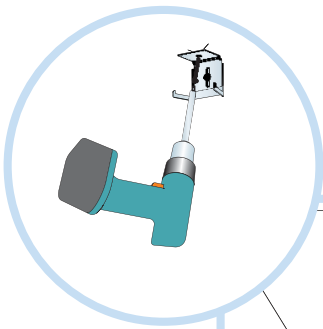


11

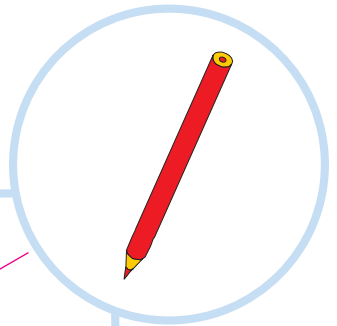
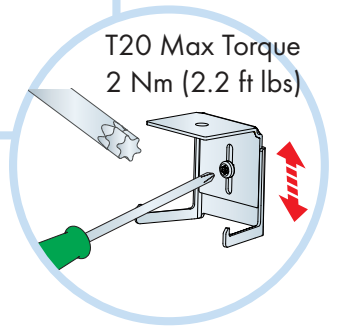
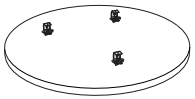
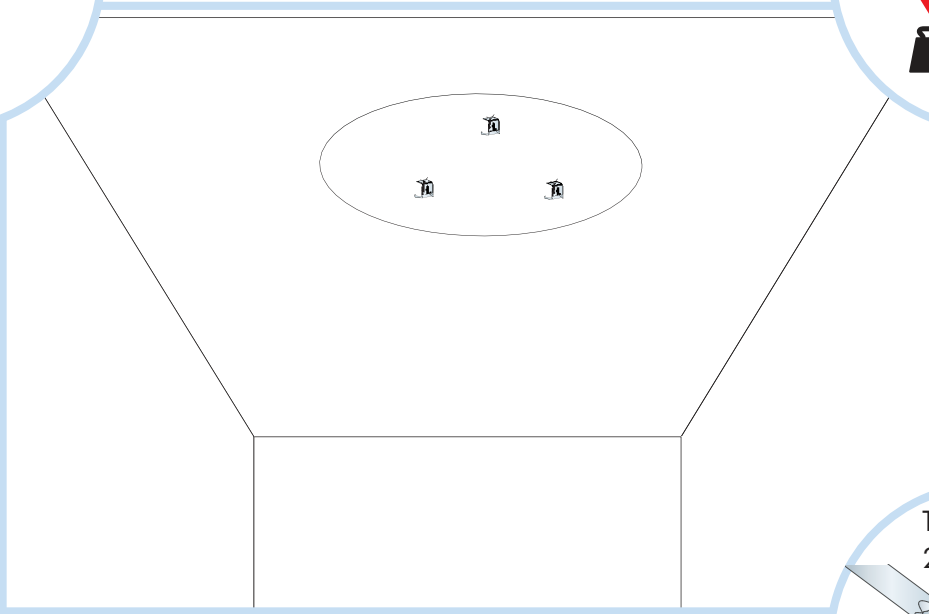


12

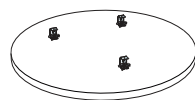
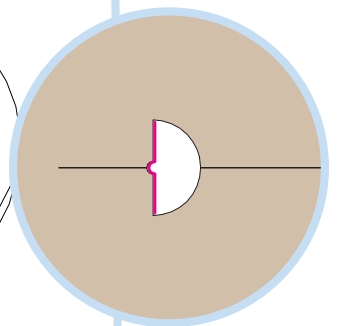
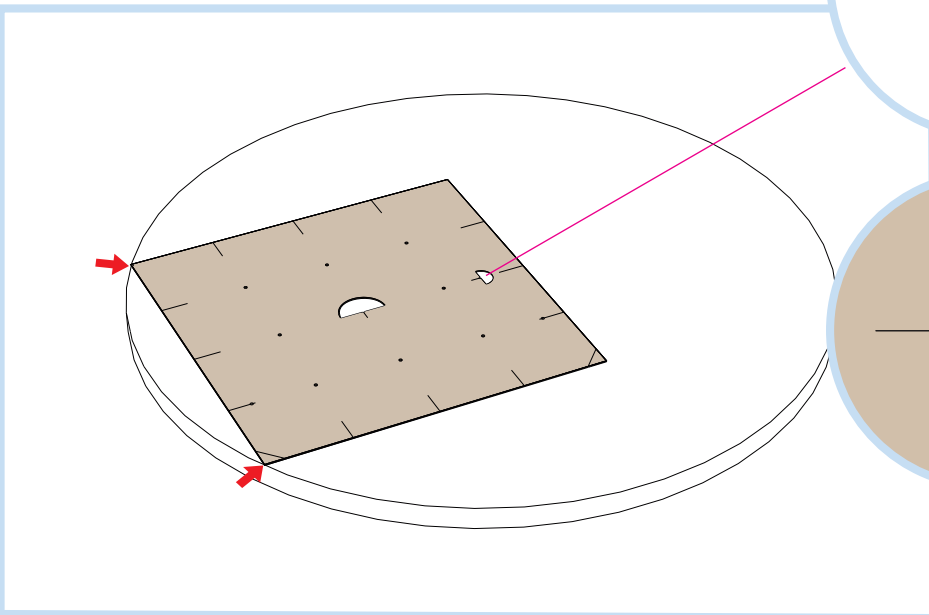


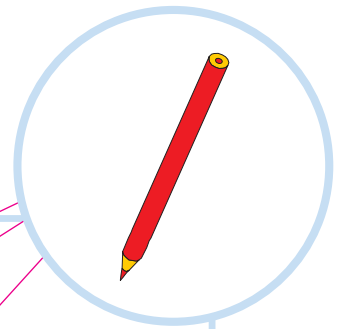
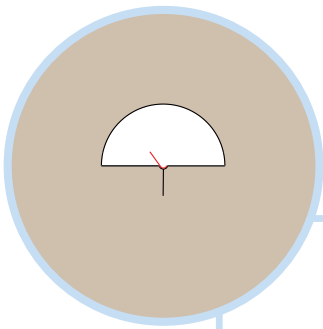


13

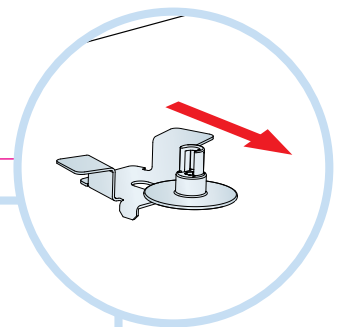
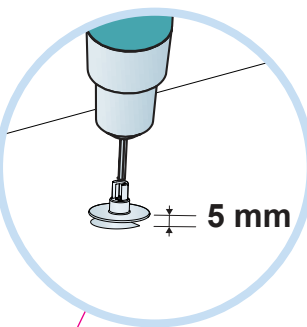
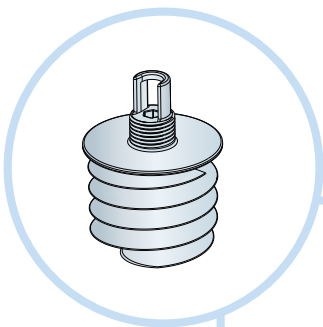
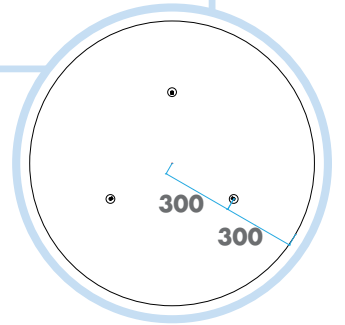
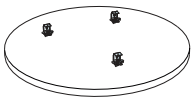
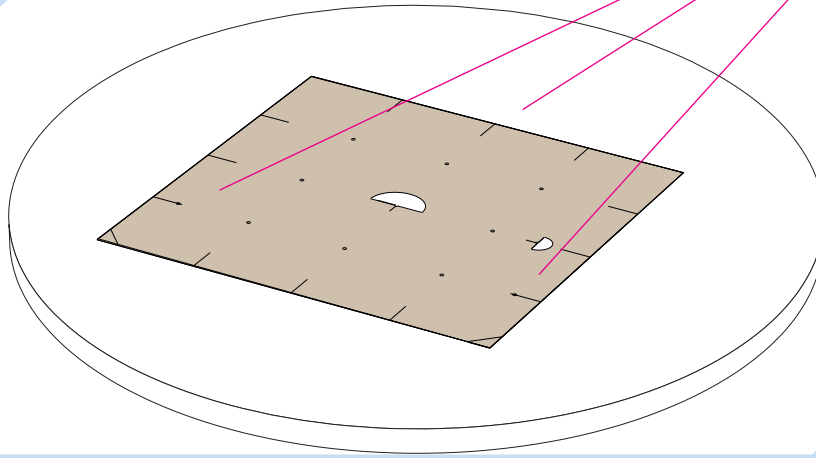


13

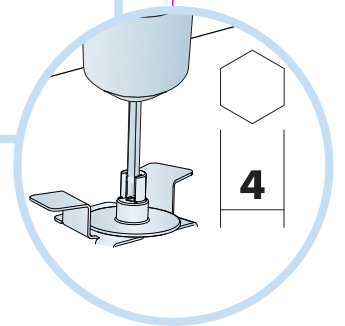
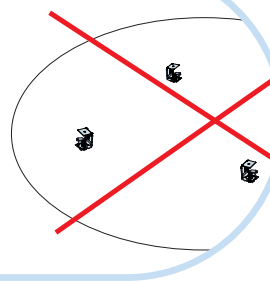
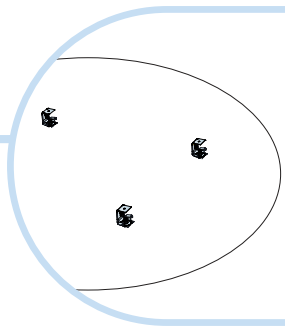
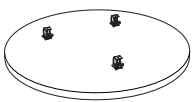
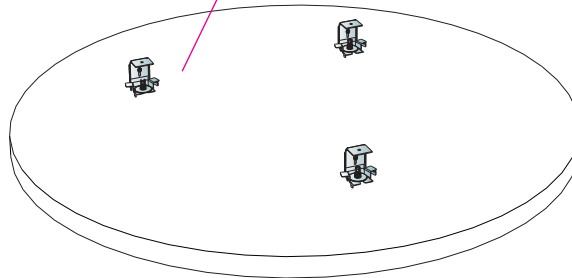


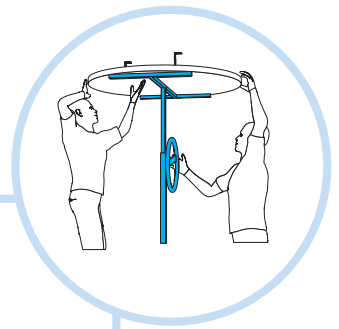
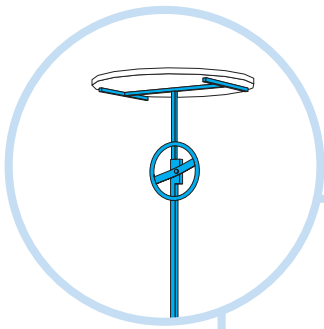


14

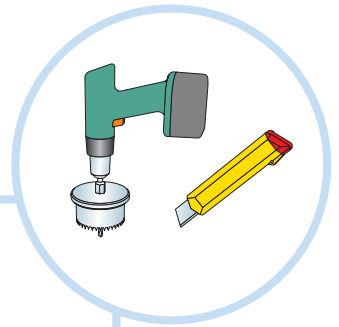
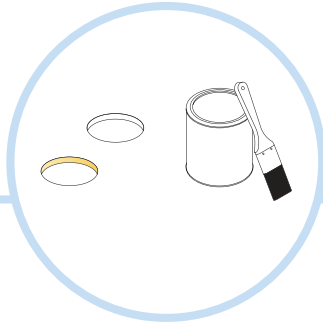
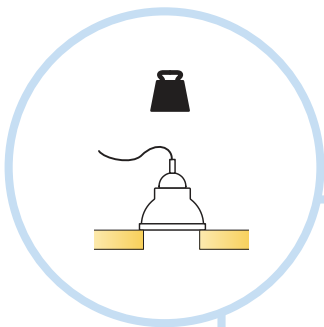
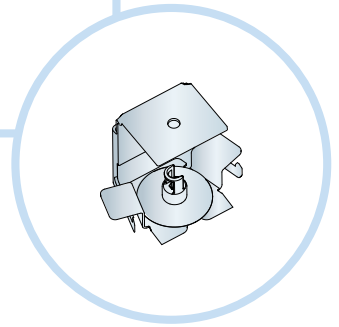
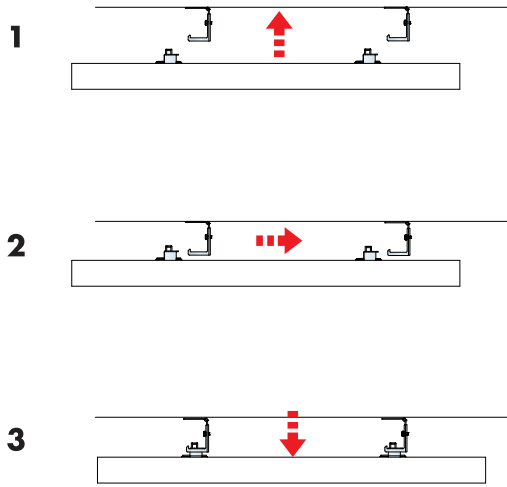


15

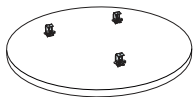
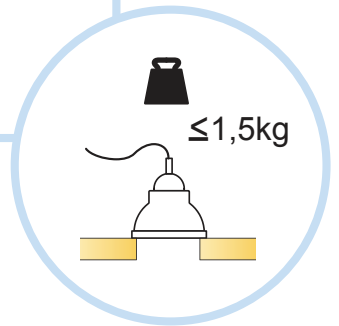
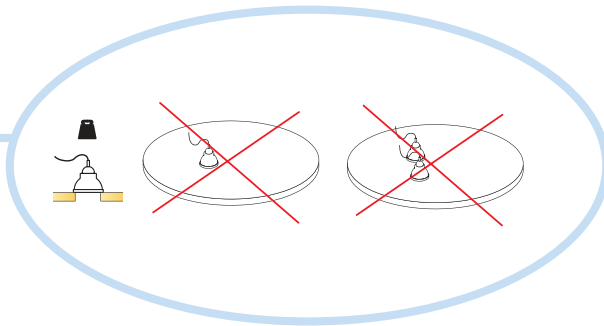
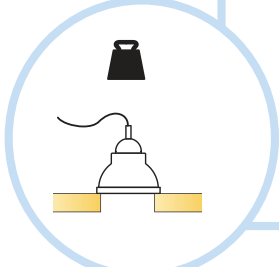
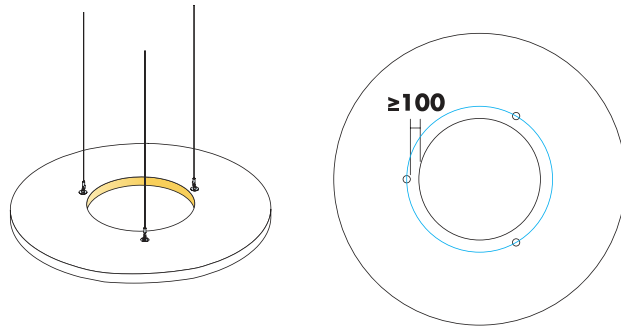


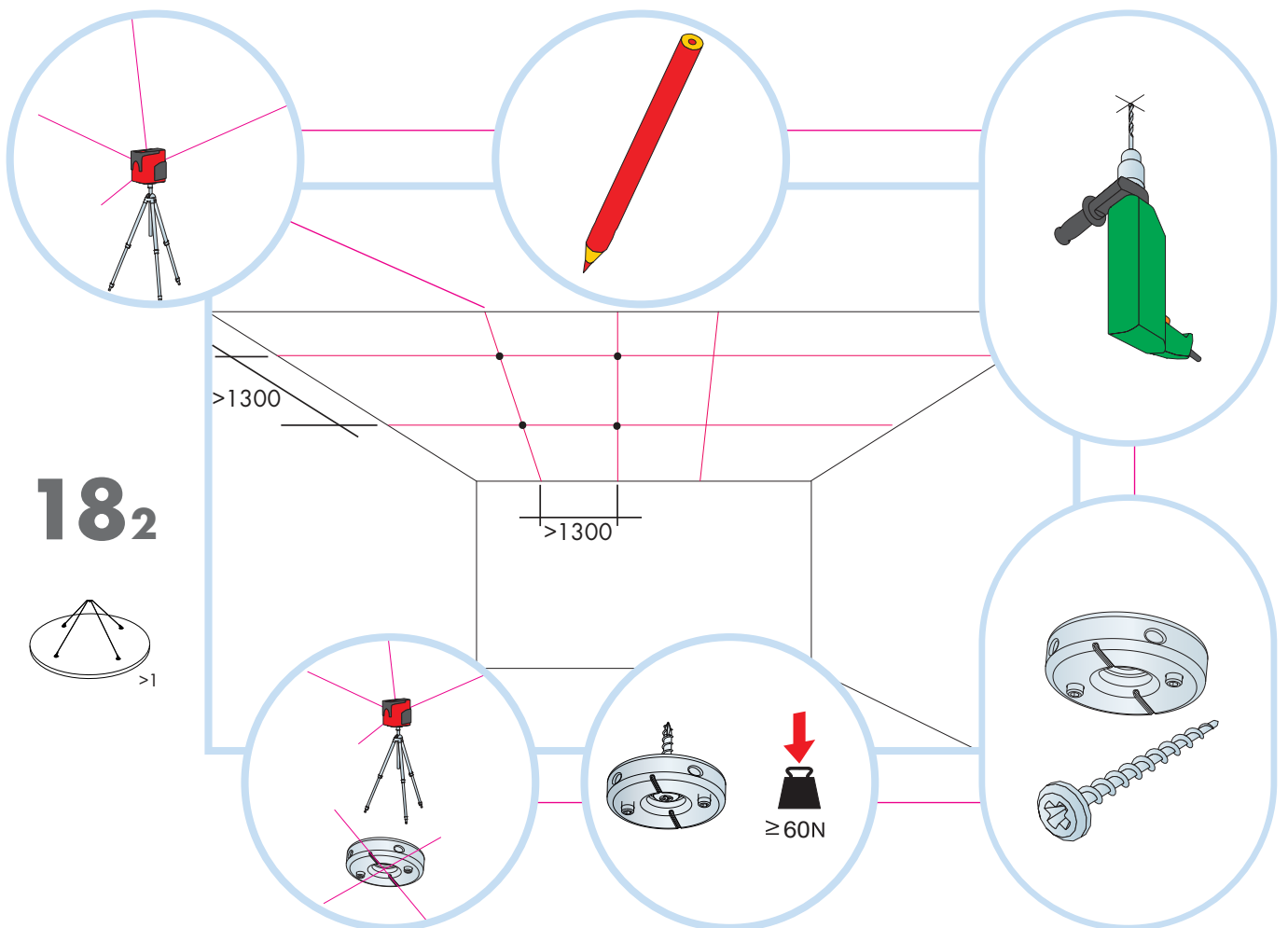
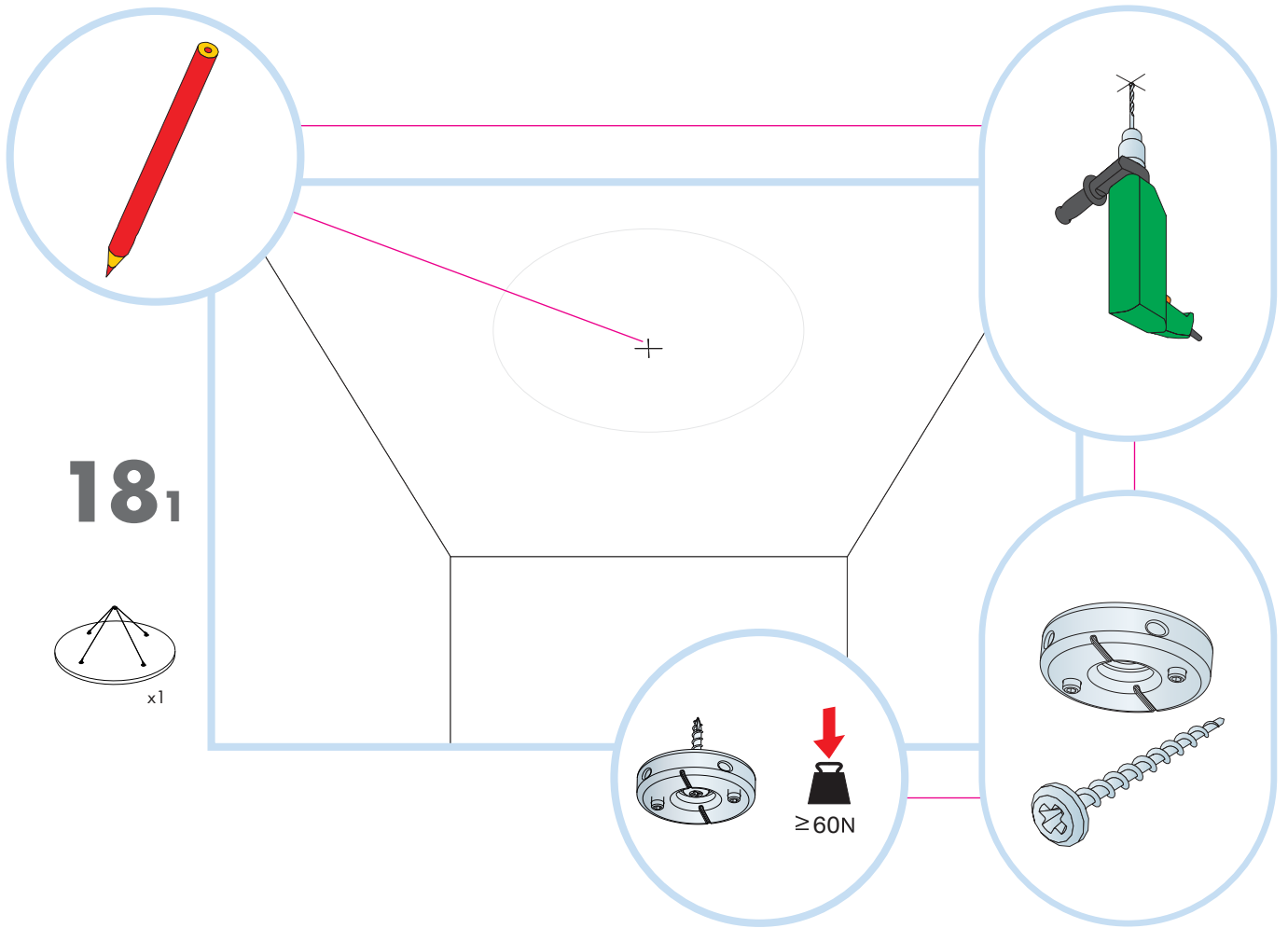


16

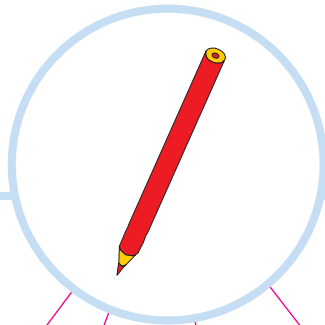
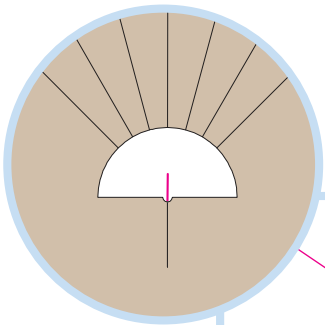
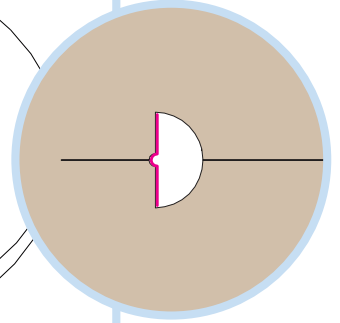
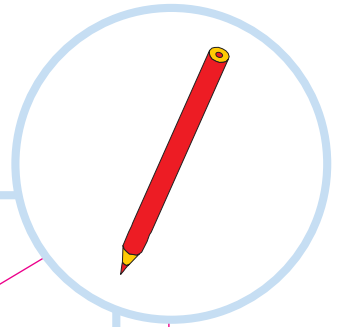
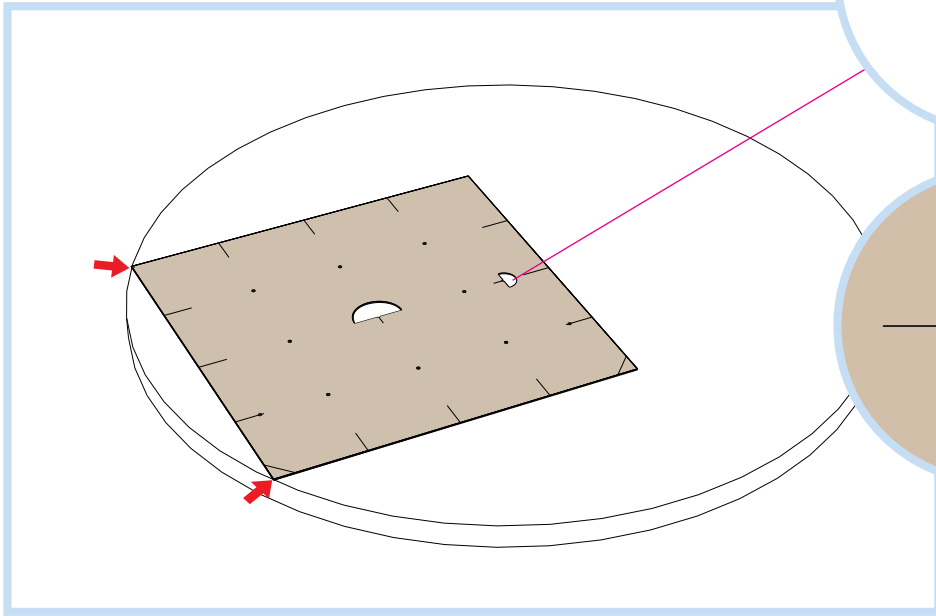
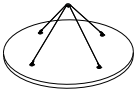


17

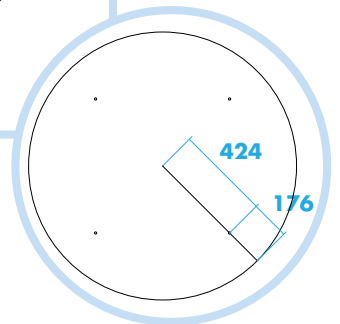
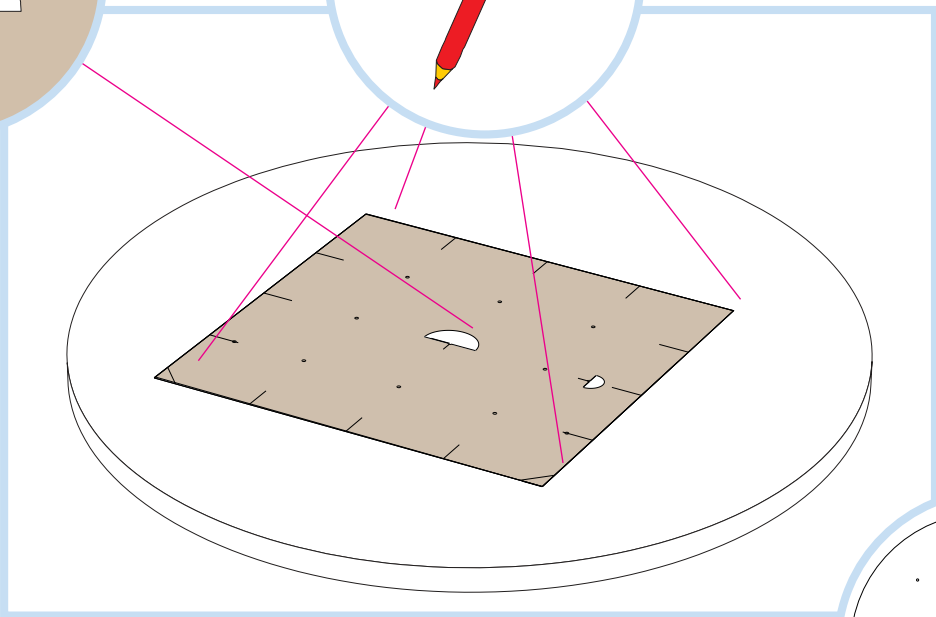
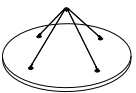




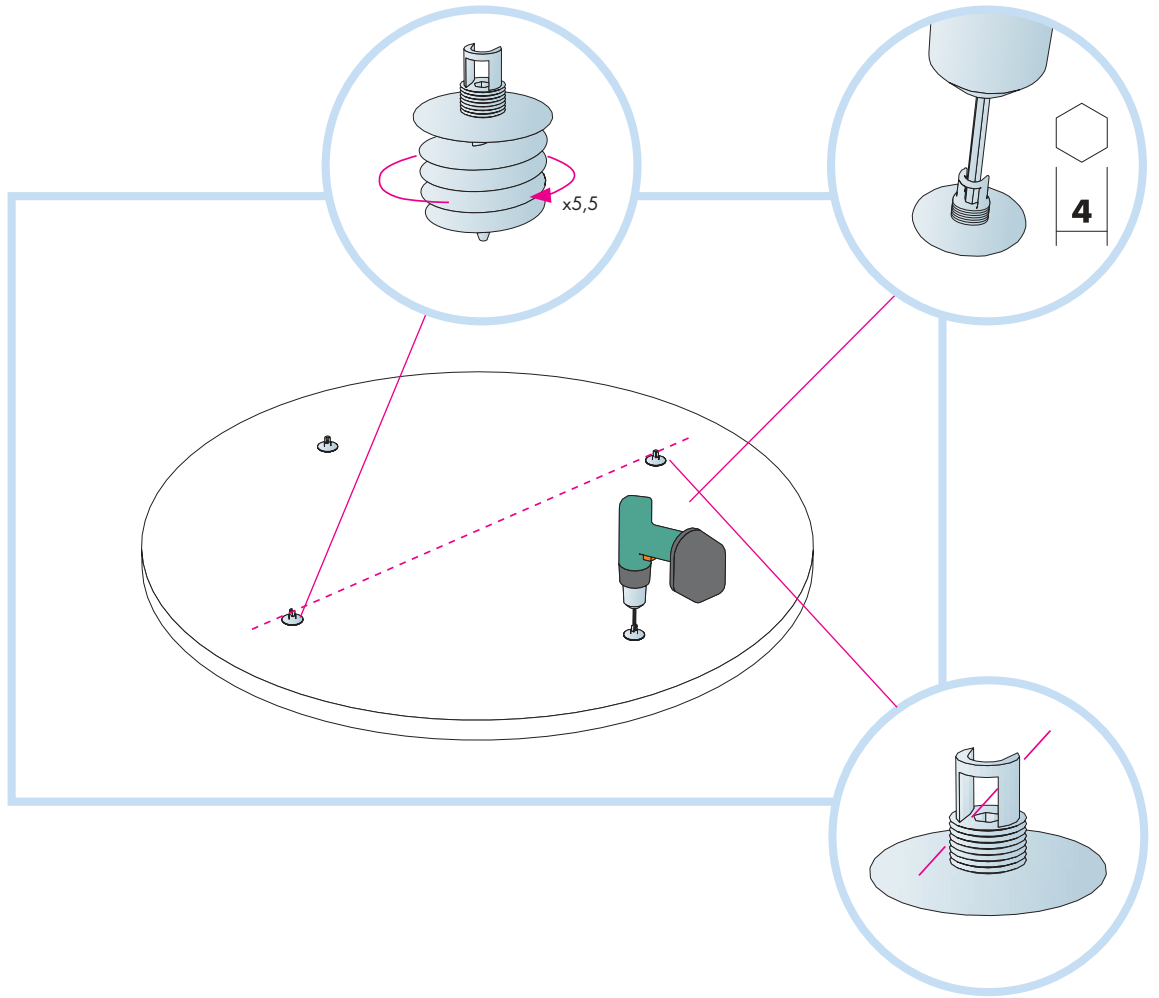
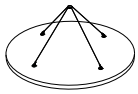
19



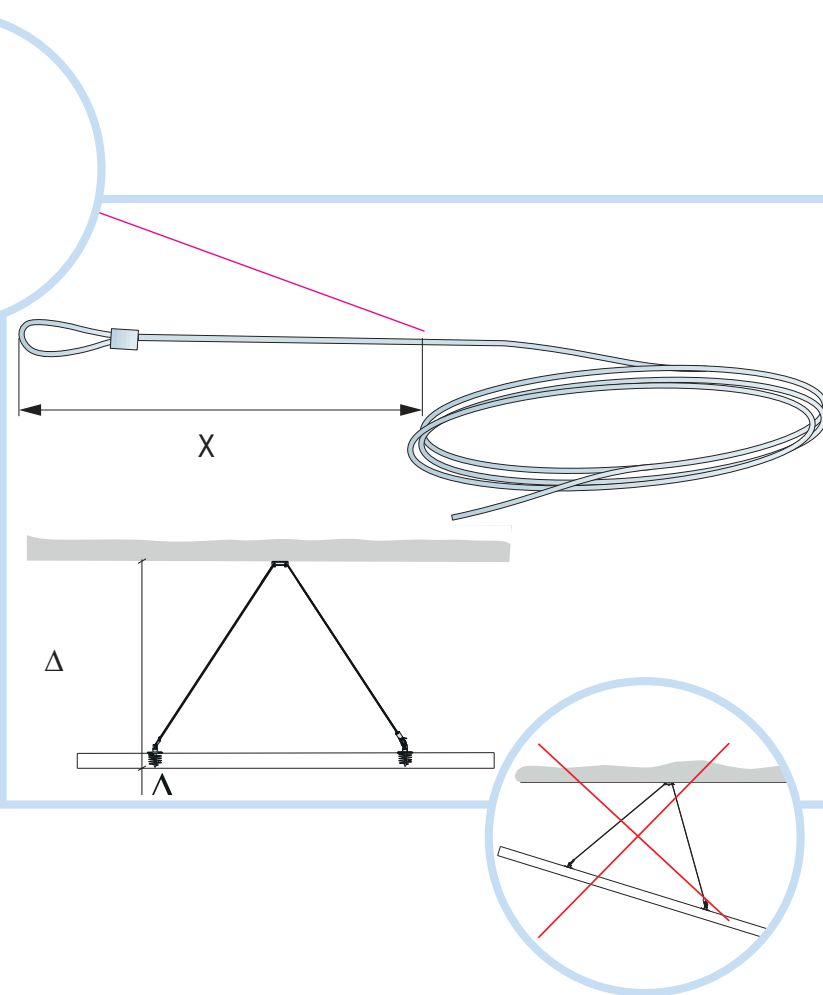
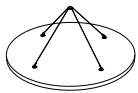
20



21



22



X	~Δ
1190	500
1270	550
1350	600
1430	650
1515	700
1595	750
1690	800
1780	850
1875	900
1965	950

