
BuzziRing

Product Specification Sheet

This document contains technical information about the BuzziRing



www.buzzi.space



The smallest meeting room around

BuzziRing is a wall-mounted, compact and temporary work or meeting space designed with open-plan offices in mind. Thanks to the space between the wall and BuzziRing, the upholstered-foam body can absorb the sound waves from crowded environments and prevent them from bouncing back into the room. At the same time, BuzziRing is acoustically well-balanced on the inside, being an ideal space for short meetings, catching up on emails or making phone calls away from distractions.

It comes with a built-in table in Antwerp Oak, white laminate or Melamine with fibre board core, and a functional light with two USB ports for charging. It offers a transparent screen which mitigates concerns about potential transmission. Choose what best suits your existing decor.

Design by BuzziSpace Studio

General



BuzziRing
Wall mounted

Structure: LSB and pinewood

Worktop: Antwerp Oak, White Laminate with birch multiplex core or Melamine with fibre board core



Wall connection: powder coated metal in black (RAL 9005)

LED light in black aluminium with two USB chargers

Cover: upholstered acoustic foam

Fabrics: Fabric, Trevira CS+ | CS, Revive 1, Remix 3, Clara 2, Hero 2, Tonus 4 or Memory 2



Dry Use



Assembled



Plexi Screen

Certifications

Light: CE/CB, cULus Listed E473379



PEFC™ PEFC/07-32-385

Acoustics



Absorption



Diffusion



Attenuation



Low Tone



Mid Tone



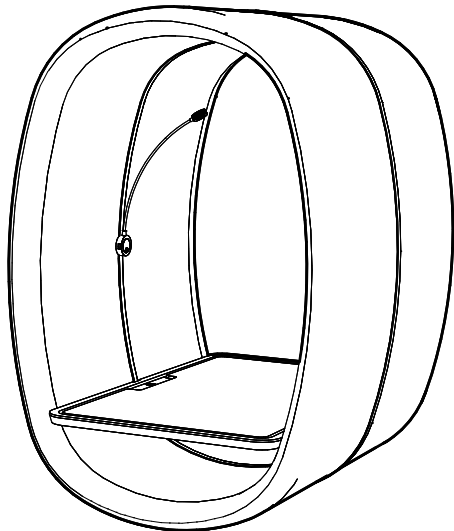
High Tone

Content

Configurations	3	Fabrics	6
Components	4	Dimensions	9
Photometric Data	5	Acoustics	13

Configuration

BuzziRing



Structure: LSB and pinewood
Worktop: Antwerp Oak, White Laminate with birch multiplex core or Melamine with fibre board core
Wall connection: powder coated metal in black (RAL 9005)
LED light in black aluminium with two USB chargers
Cover: upholstered acoustic foam
Fabrics: Fabric, Trevira CS+ | CS, Revive 1, Remix 3, Clara 2, Hero 2, Tonus 4 or Memory 2



Switch: built-in switch with 2 light levels

USB: 2x USB charging 5V/2A

Wattage: max 17 (light: 1,5) W

Input Voltage: 12V



Lumen Output: 105 lumen

Color Temperature: 4000K

Color Rendering Index: 82

Energy Efficiency Class: A+

Material: aluminium

Length: 90,6 cm | 35.67"



Width: 80,6 cm | 31.73"

Height: 113,8 cm | 44.80"



23 kg | 50.71 lbs

Please note: Due to safety reasons the BuzziRing should only be mounted by a professional.

The max load on the BuzziRing strongly depends on the mounting structure and the mounting materials used.

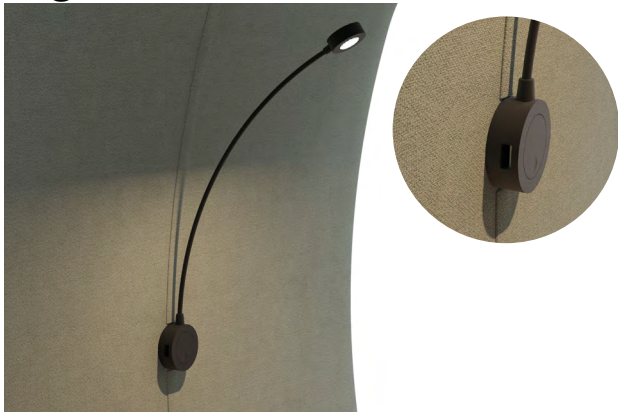


The BuzziRing is recommended for mounting on walls made of concrete or brick.

Hollow walls have to be reinforced on the backside of the wall. Do use suitable mounting.

Components

Light Source



Black wall light with flexible neck
Switch: built-in switch with 2 light levels
USB: 2x USB charging 5V/2A
Wattage: max 17 (light: 1,5) W
Input Voltage: 12V
Lumen Output: 105 lumen
Color Temperature: 4000K
Color Rendering Index: 82
Energy Efficiency Class: A+
Material: aluminium

Certification: CE | cULus Listed E473379

Power Adapter



Power Adapter available for US/EU/UK
Included Power Cord 2 m | 78.74"

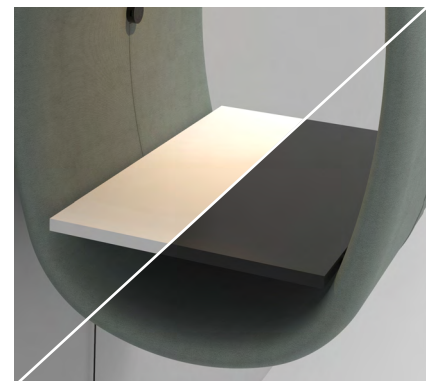
Worktop



Antwerp Oak: These solid wood worktops may contain knots, natural color variations and drying splits as normal features of the product. This contributes to the uniqueness of each worktop.

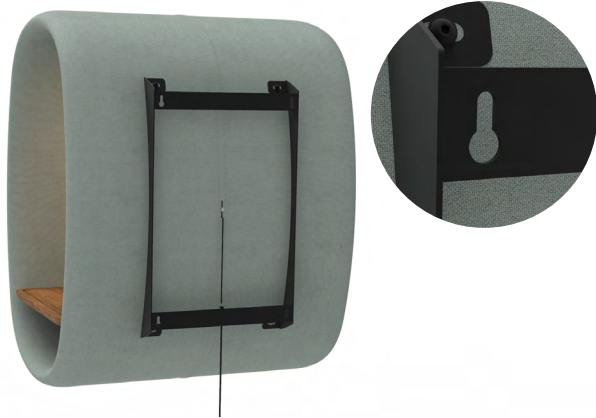


White Laminate with birch multiplex core



Melamine with fibre board core white or black

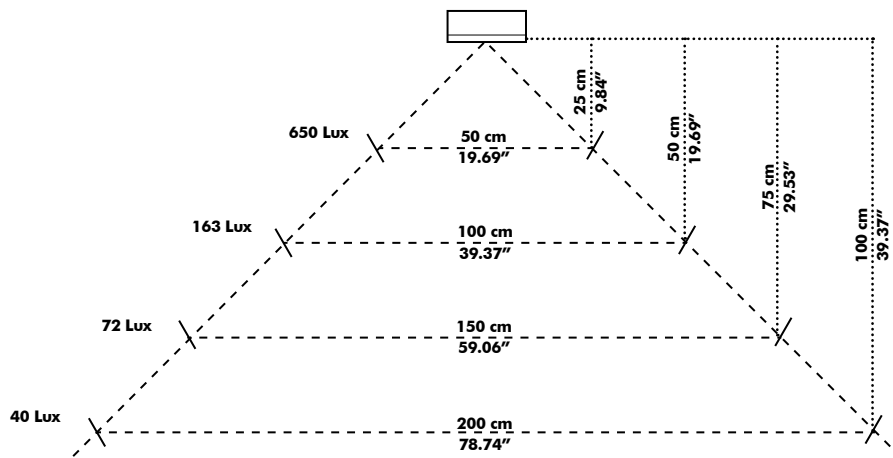
Fixing System



The BuzziRing can be mounted on the wall with 4 slots holes. 4 hex head wood screws are included to attach the BuzziRing to the wall. According to the specifications of the wall, it's recommended to use the appropriate plugs.

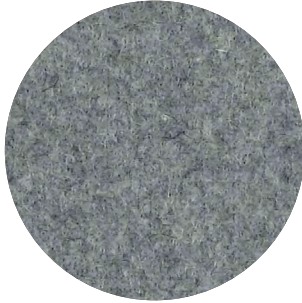
Photometric Data

Light Source



Fabrics

Fabric (45 colors)



Category A

Composition 70% Recycled Wool, 25% Recycled Polyacryl,
5% Recycled Other Fabrics

Weight 405 g/m² | 11.94 oz/yd²

Abrasion resistance 40.000 Martindale, 50,000 Wyzenbeek

Flammability EU: EN 1021.1/2006 | BS EN 1021.1/2006 (cigarette).
EN 1021.2/2006 | BS EN 1021.2/2006 (match)
USA: CAL TB 117 | ASTM E84 CLASS A

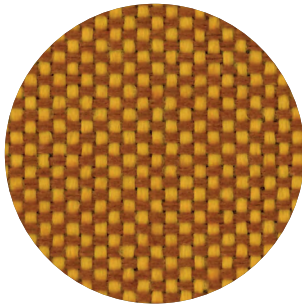
Fastness to light EU: 4 | USA 4

Fastness to rubbing EU: Wet 3-4 | Dry 4-5

Fastness to crocking USA: Wet 5 | Dry 5



Trevira CS+ | CS (47 colors)



Category A

Weight 420 g/m² | 12.39 oz/yd²

Composition 100% Polyester, Trevira CS

Abrasion resistance 100.000 Martindale, 90,000 Wyzenbeek

Flammability BS 5852 part II: CRIB 5 | BS 7176 Medium Hazard
USA: CAL TB 117 | M1 | B1 | EN 1021/1-2 | C1 |
IMO Res. A652 (16)

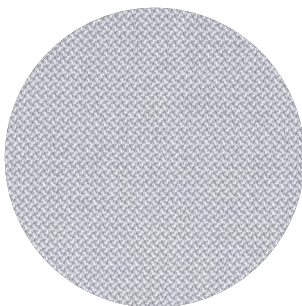
Fastness to light EU: 6 | USA 5

Fastness to rubbing EU: Wet 4-5 | Dry 4-5

Fastness to crocking USA: Wet 5 | Dry 5



Revive 1 (25 colors)



Category A

Composition 100% recycled polyester FR

Weight 430 g/lin.m

Abrasion resistance 60.000 Martindale rubs, EN ISO 12947

Flammability EN 1021-1/2 | DIN 4102 B1 | Önorm B1/Q1
UNI 9175 1IM | US Cal. Tech. Bull. 117
IMO A.652 (16)

Fastness to light Note 5-7, ISO 105-B02

Fastness to rubbing (ISO) dry 5, wet 4-5

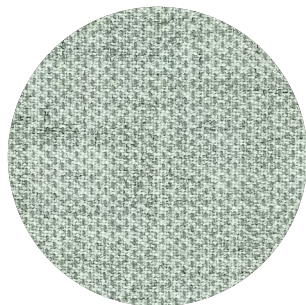
Pilling Note 4-5, EN ISO 12945



kvadrat

Clara 2 (24 colors)

kvadrat



Category B

Composition 92% new wool, 8% nylon

Weight 400 g/lin.m

Abrasion resistance 80.000 Martindale rubs, EN ISO 12947

Flammability EN 1021-1/2 | BS 5852, ignition source 2-3 | DIN 4102 B2
NF D 60 013 | UNI 9175 11M | US Cal. Tech. Bull. 117, Sec. E
NFPA 260 | IMO A.652(16)

Fastness to light Note 5-7, ISO 105-B02

Fastness to rubbing (ISO) dry 4-5, wet 4

Pilling Note 4, EN ISO 12945



Remix 3 (73 colors)

kvadrat



Category B

Composition 90% new wool, 10% nylon

Weight 415 g/lin.m

Abrasion resistance 100.000 Martindale rubs, EN ISO 12947

Flammability EN 1021-1/2 | BS 5852 part 1
Önorm B1/Q1 | NF D 60 013 | UNI 9175, 11M
AS/NZS 1530.3 | Cal. Tech. Bull. 117-2013
NFPA 260 | IMO FTP Code 2010:Part 8

Fastness to light Note 5-7, ISO 105-B02

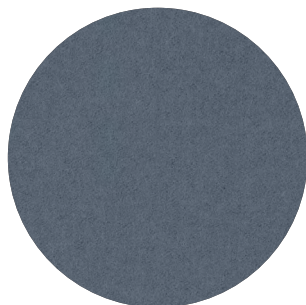
Fastness to rubbing (ISO) dry 4-5, wet 4

Pilling Note 4, EN ISO 12945



Hero 2 (33 colors)

kvadrat



Category C

Composition 97% new wool, 3% nylon

Weight 580 g/lin.m

Abrasion resistance 45.000 Martindale rubs, EN ISO 12947

Flammability EN 1021-1/2 | DIN 4102 B2 | NF D 60 013
UNI 9175 11M | US Cal. Bull. 117-2013 | NFPA 260
IMO A.652 (16)

Fastness to light Note 5-6, ISO 105-B02

Fastness to rubbing (ISO) dry 4-5, wet 4-5

Pilling Note 3-4, EN ISO 12945



Tonus 4 (47 colors)

kvadrat



Category D

Composition 90% new wool, 10% Helanca

Weight 665 g/lin.m

Abrasion resistance 100.000 Martindale rubs, EN ISO 12947

Flammability EN 1021-1/2 | BS 5852 part 1 | DIN 4102 B2
Önorm B1/Q1 | NF D 60 013 | UNI 9175 11M
US Cal. Bull. 117-2013 | NFPA 260 | IMO A.652 (16)

Fastness to light Note 5-7, ISO 105-B02

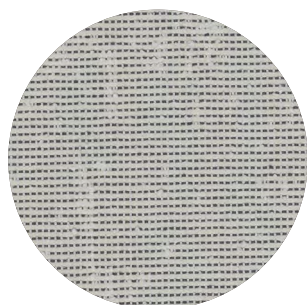
Fastness to rubbing (ISO) dry 3-5, wet 3-5

Pilling Note 3, EN ISO 12945



Memory 2 (20 colors)

kvadrat



Category E

Composition 100% Trevira CS

Weight 700 g/lin.m

Abrasion resistance

35.000 rubs acc. to the Martindale method, EN ISO 12947

Flammability EN 1021-1/2 | DIN 4102 B1 | Önorm B1/Q1
NF D 60 013 | NF P 92 507 M1 | UNI 9175 11M
UNI 9177 classe 1 | US Cal. Tech. Bull. 117
IMO A.652 (16)

Fastness to light Note 5-8, ISO 105-B02

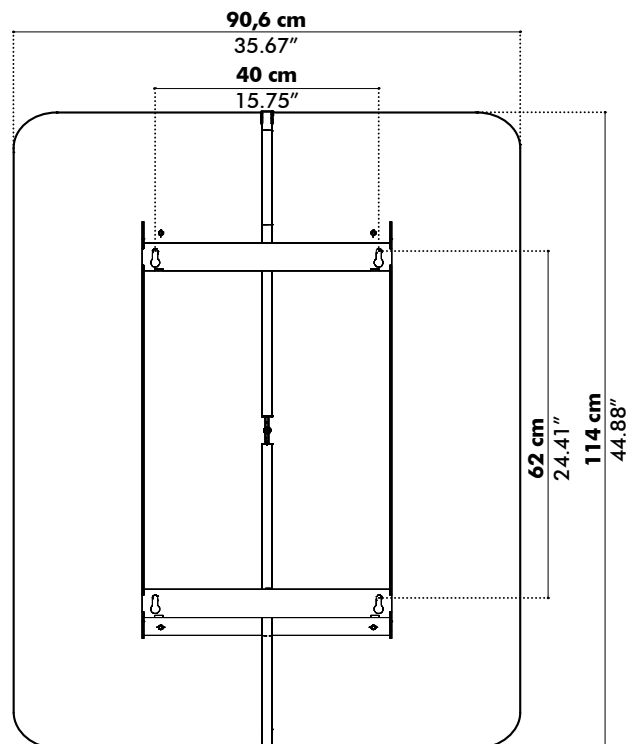
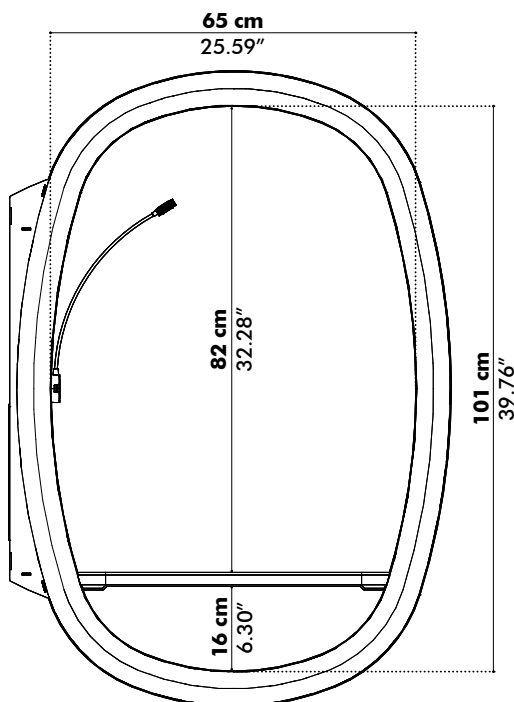
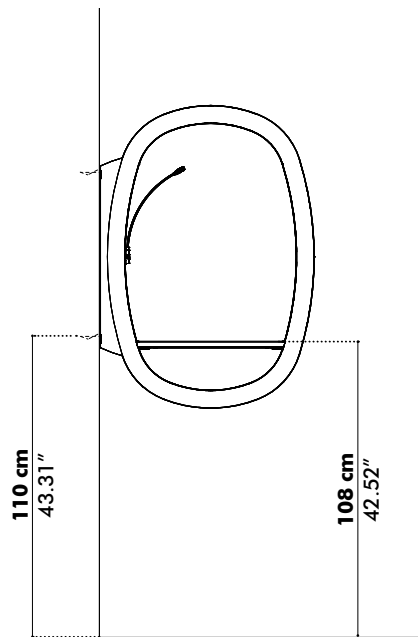
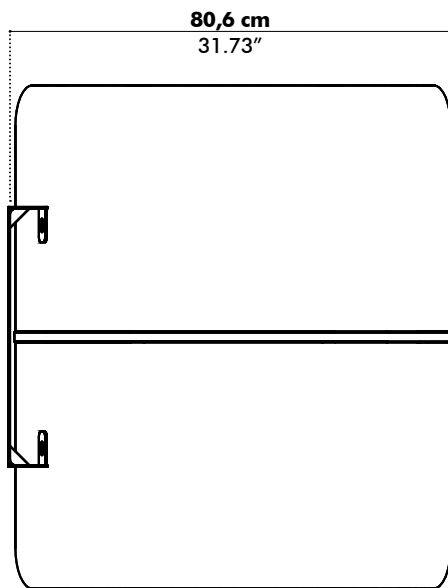
Fastness to rubbing (ISO) dry 4-5, wet 4-5

Pilling Note 4, EN ISO 12945



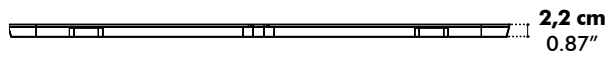
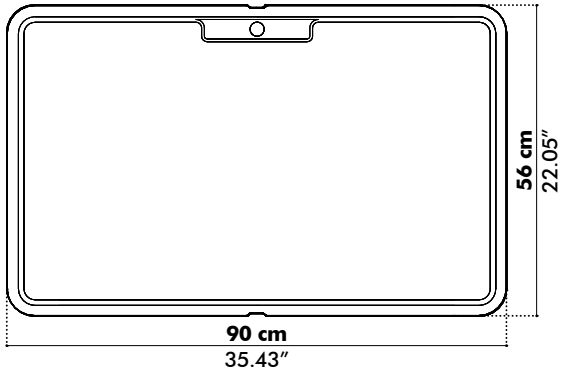
Dimensions

BuzziRing

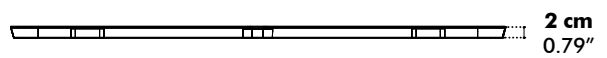
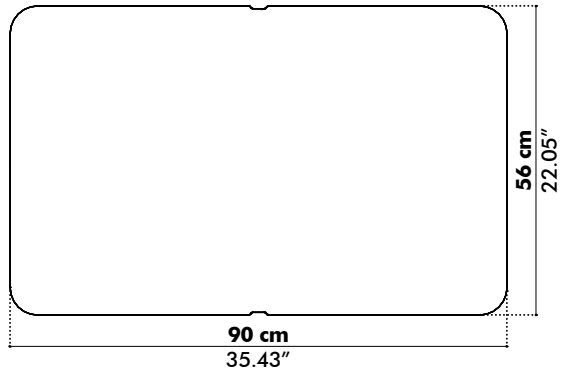


Worktop

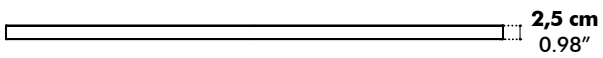
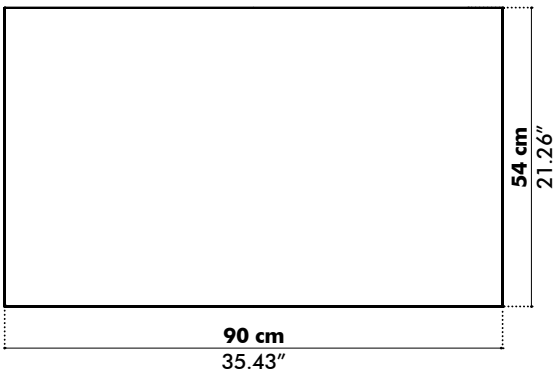
Antwerp Oak



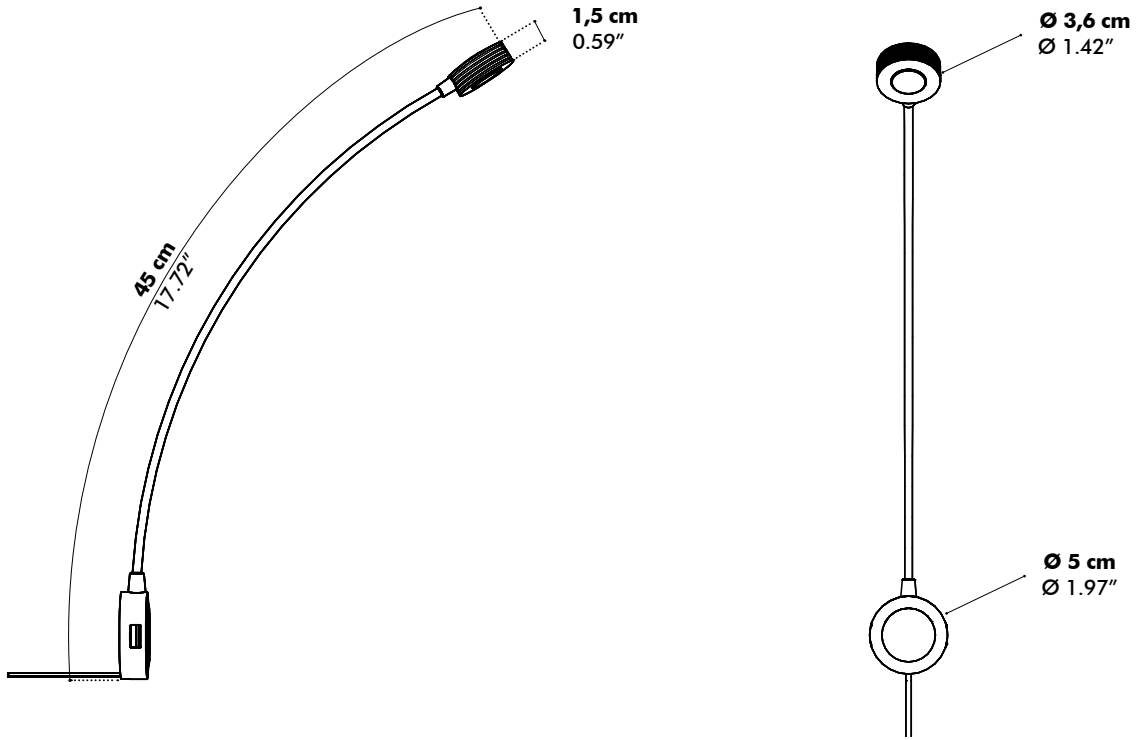
White Laminate



Melamine with fibre board core



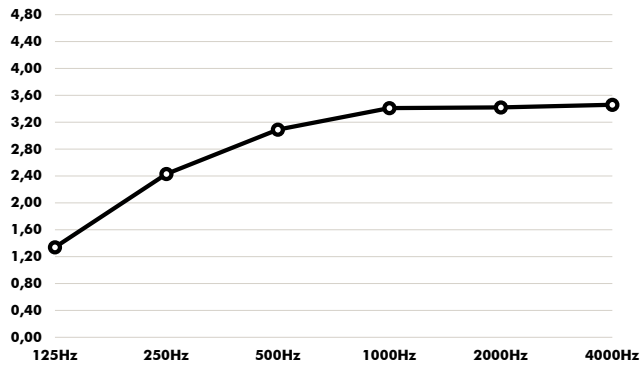
Light Source



Acoustics

BuzziRing

Equivalent sound absorption area in m² per object



Hz	Aeq/m ²
125	1.34
250	2.43
500	3.09
1000	3.41
2000	3.42
4000	3.46