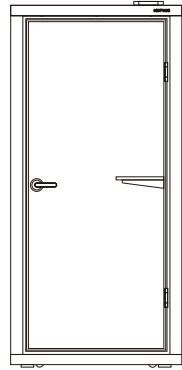


MILLI STAND



Assembly Instructions.

acoustic collection - milli stand
[right hand open - outlet on right - without stool - type A/B]

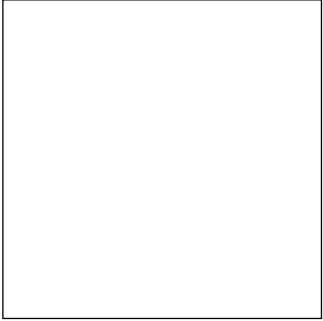
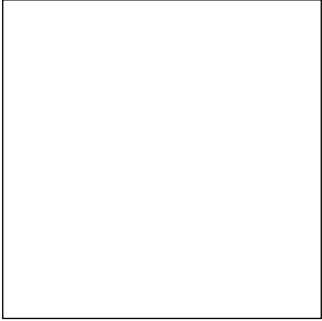
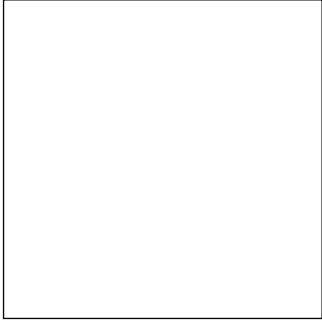
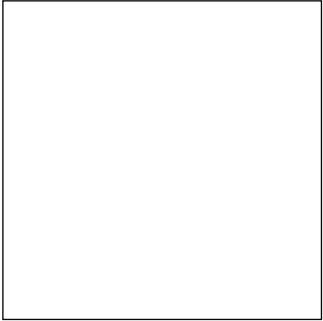
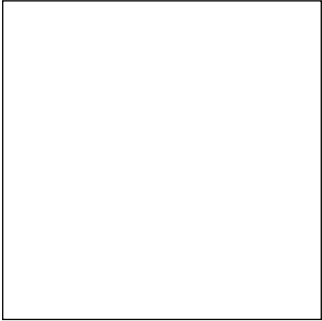
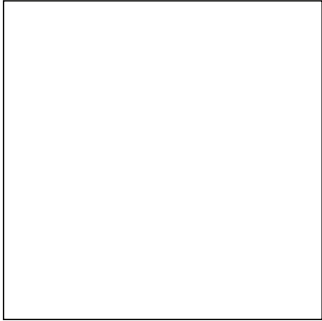
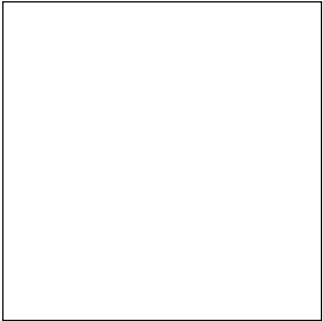
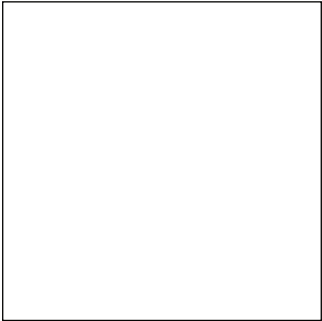
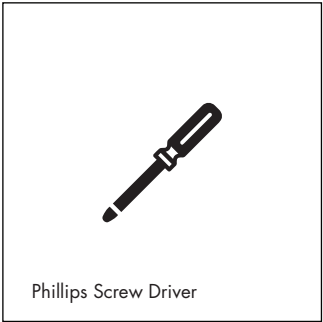
koplus b.v. | koplus.eu
info@koplusbrand.com

version211222

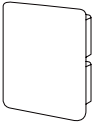
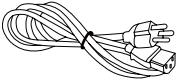


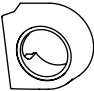
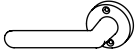

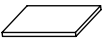
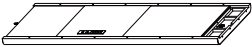



Before we start, here are some things to be aware of:

1. This is the assembly instruction for right hand opening door **Milli Stand** without stool.
2. A packaged **Milli Stand** unit weights 235 kg and will require 2-3 persons to install. It takes an average of 30 - 45 min to install **Milli Stand**.
3. Please assemble with caution and make sure that the installation site is protected to prevent any injuries or risks of damaging the product and surrounding.
4. Position and assemble **Milli Stand** as close to its final placement as possible. If needed, a fully assembled **Milli Stand** can be repositioned by retracting its four leveling feet and moved with its bottom rollers. When moving the unit, DO NOT push the unit against the rollers' direction! You may risk tipping **Milli Stand** or damaging its rollers.
5. Make sure you have all the required tools listed (pg. 03).
6. We recommend leaving at least 30 cm of space between the wall or between multiple units of **Milli Stand**.
7. Make sure that the **Milli Stand** power source can safely load 10amp. When the ventilation is on, LED light is at its full lamination, and the power charging station is not in use, the wattage usage is 14W. The power cord fuse is set at 7amp to prevent overloading.
8. **Milli Stand** comes with 2 AC power outlets and 2 USB charging outlets. DO NOT plug in any electronic devices that uses over 5amp.

Required Tools



Part List

<p>N°1-1</p>  <p>Tool Kit: Screw Pack x1</p>	<p>N°1-2</p>  <p>Tool Kit: Power Cord x1</p>	<p>N°1-3</p>  <p>Exterior Handle x1</p>
<p>N°1-4</p>  <p>Exterior Bezel x1</p>	<p>N°1-5</p>  <p>Interior Bezel x1</p>	<p>N°1-6</p>  <p>Interior Handle x1</p>
<p>N°1-7</p>  <p>M4x40mmL x2</p>	<p>N°1-8</p>  <p>Bottom Socket Cover Tile x1</p>	<p>N°2</p>  <p>Side Wall +Electric x1</p>
<p>N°3</p>  <p>Side Wall x1</p>	<p>N°4</p>  <p>Bottom x1</p>	<p>N°5</p>  <p>Back Glass Frame x1</p>

N°6



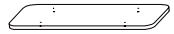
Glass Door Frame x1

N°7



Top x1

N°8-1



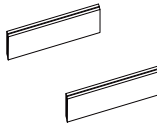
Side Table Top x1

N°8-2



Side Table Frame x1

N°9



Bottom Side Panels x2


N°10



Floor PET x1


Tool Kit: Screw Pack List

A




M8 x 40 x36

B




M8 x 60 x8

C




M8 x 80 x4

D



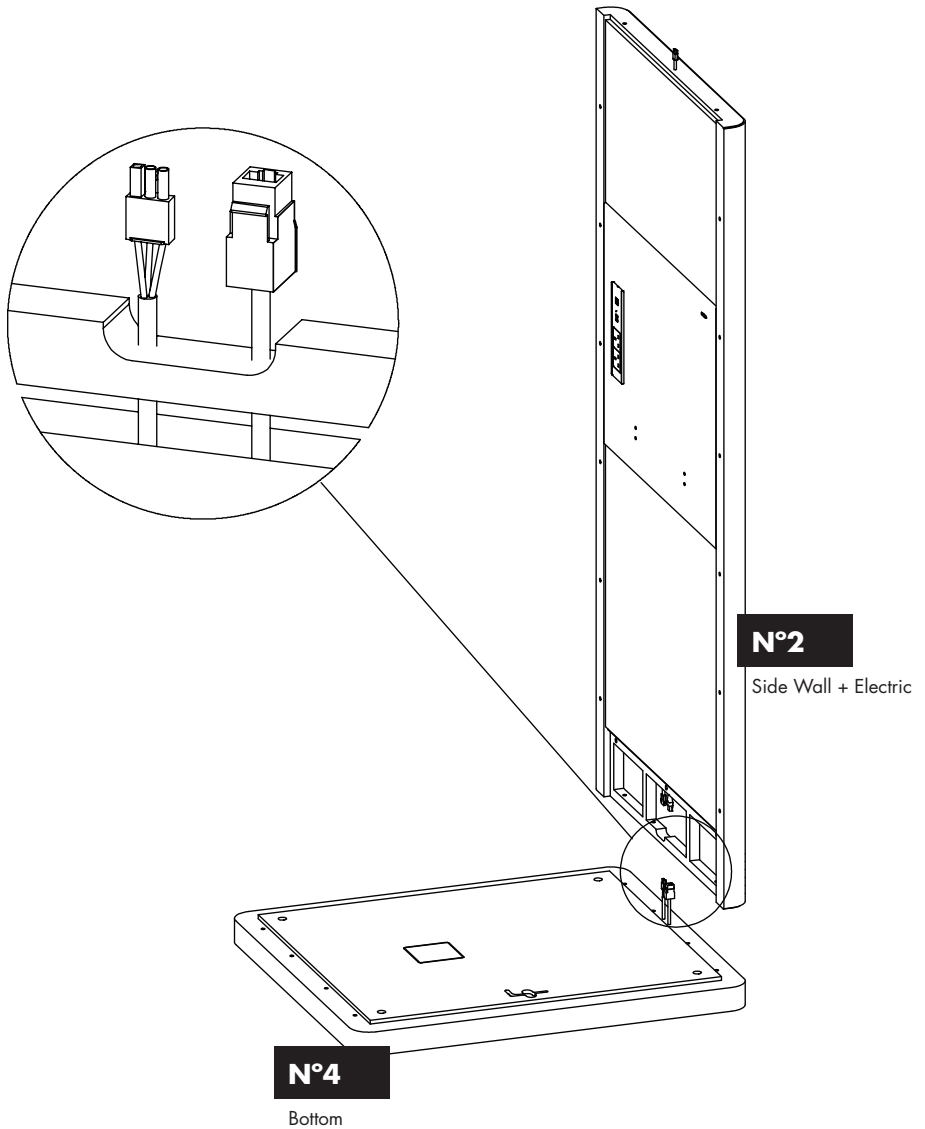
1/4-20UNC x 3-1/8" L x4

E

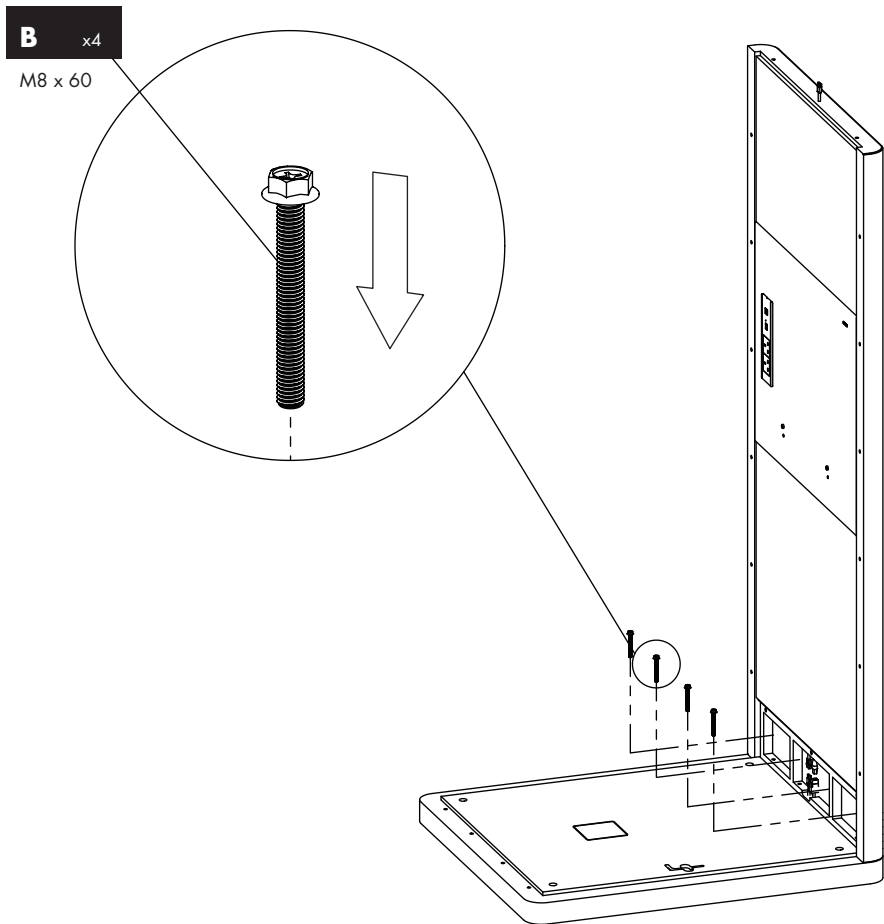


1/4-20UNC x 5/8" L x4

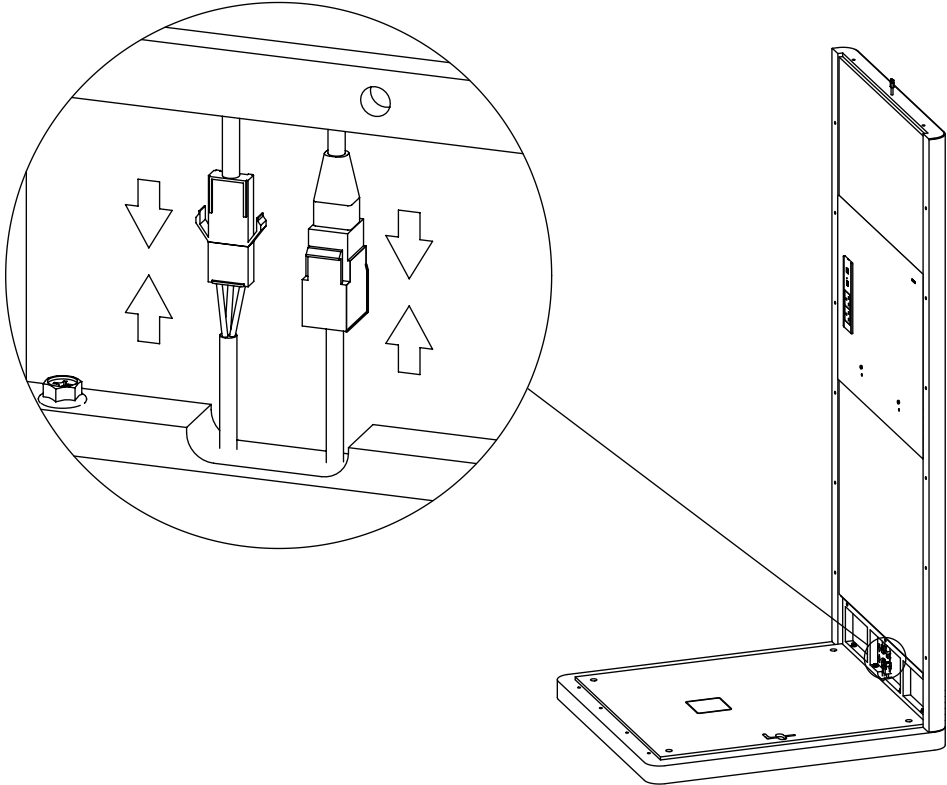
Step 1.



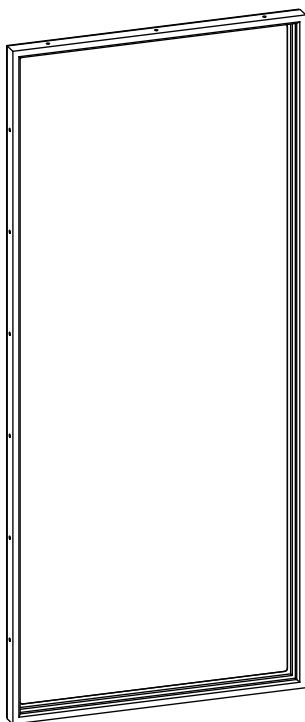
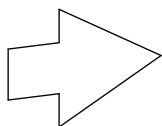
Step 2.



Step 3.

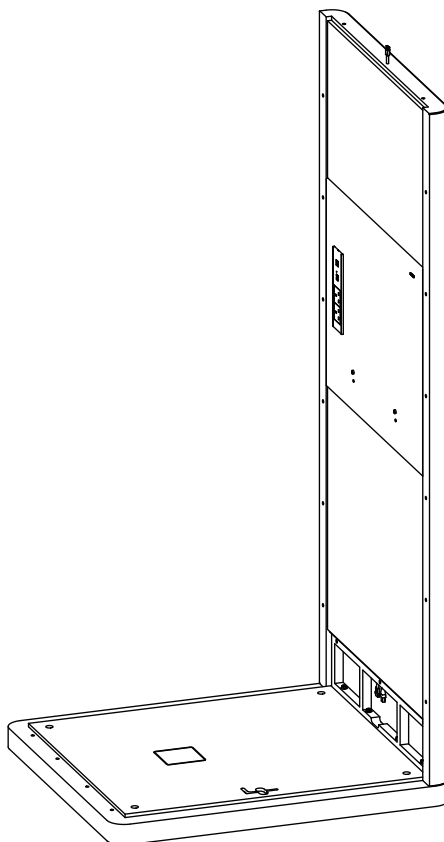


Step 4.

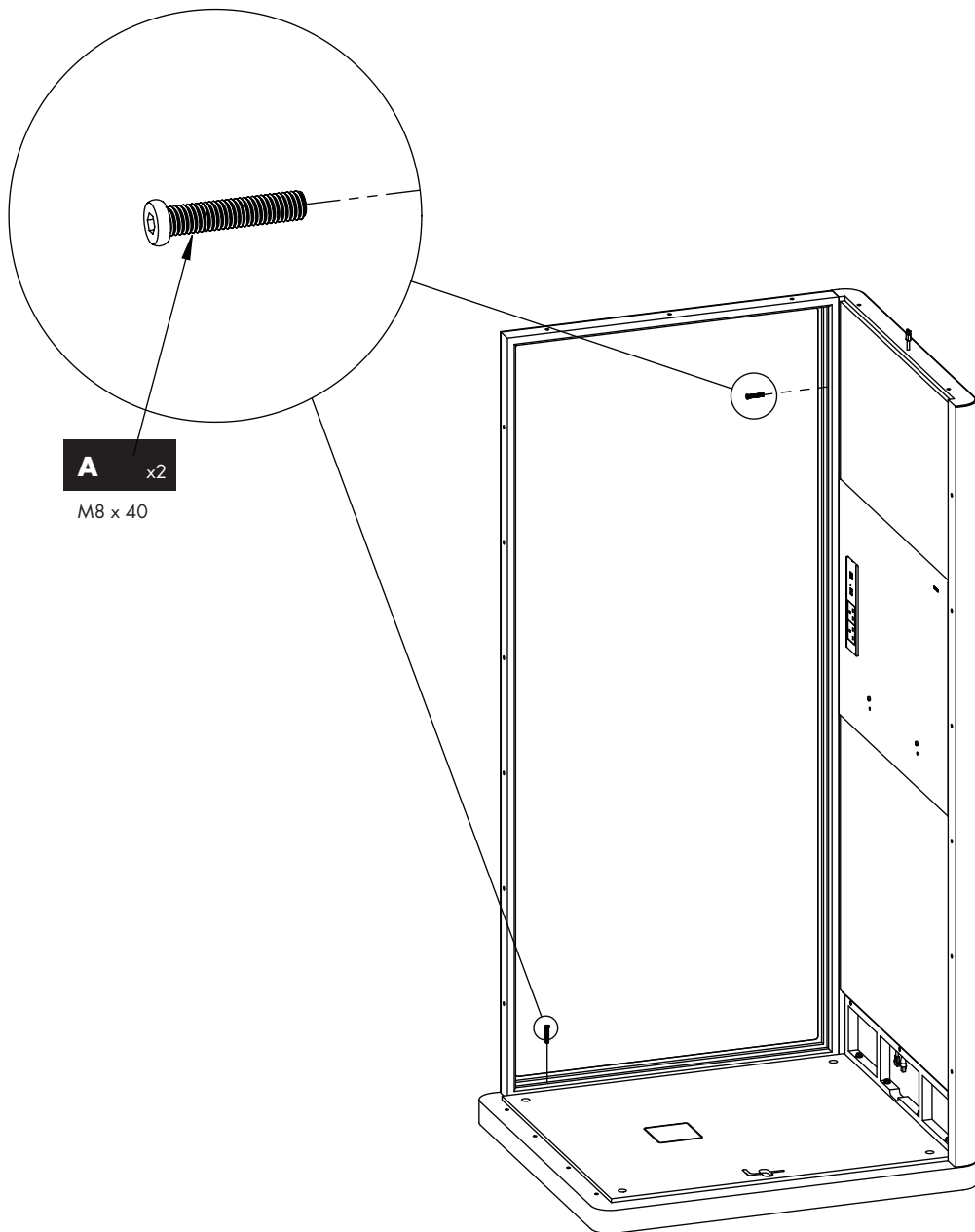


N°5

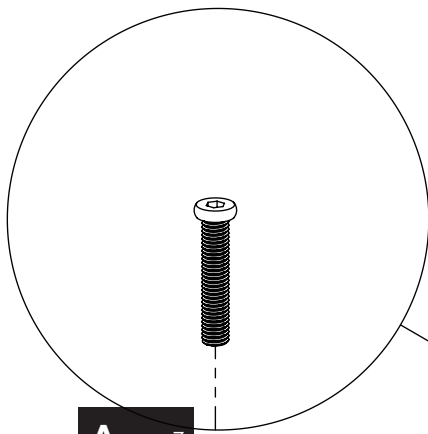
Back Glass Frame



Step 5.

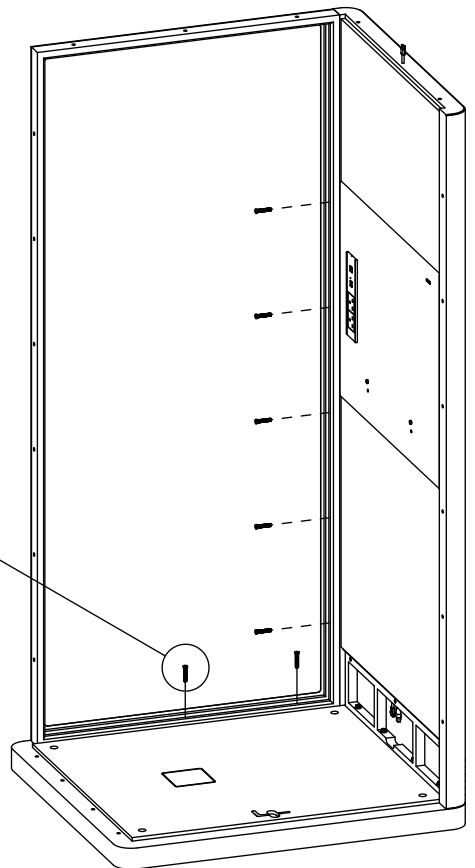


Step 7.

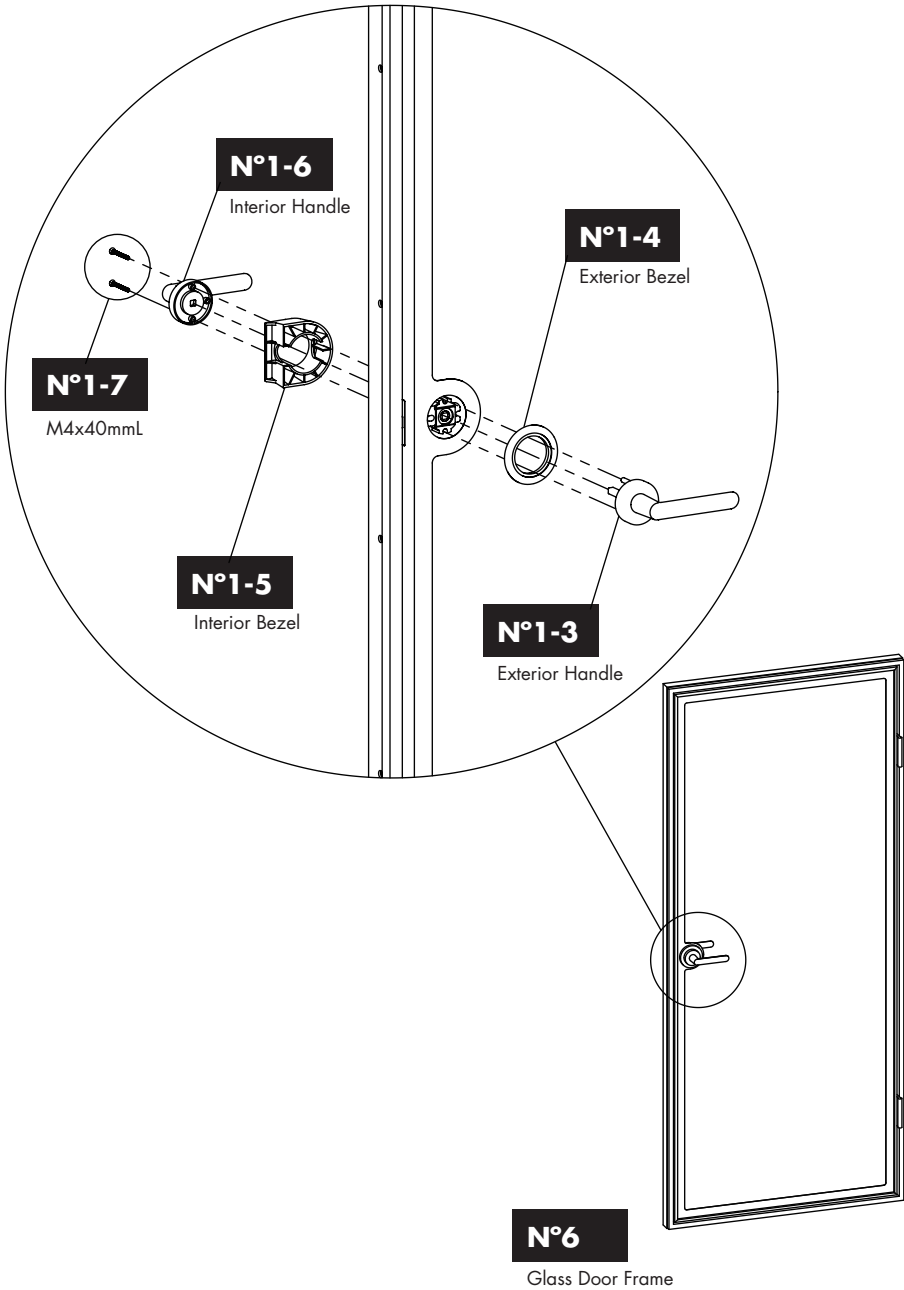


A x7

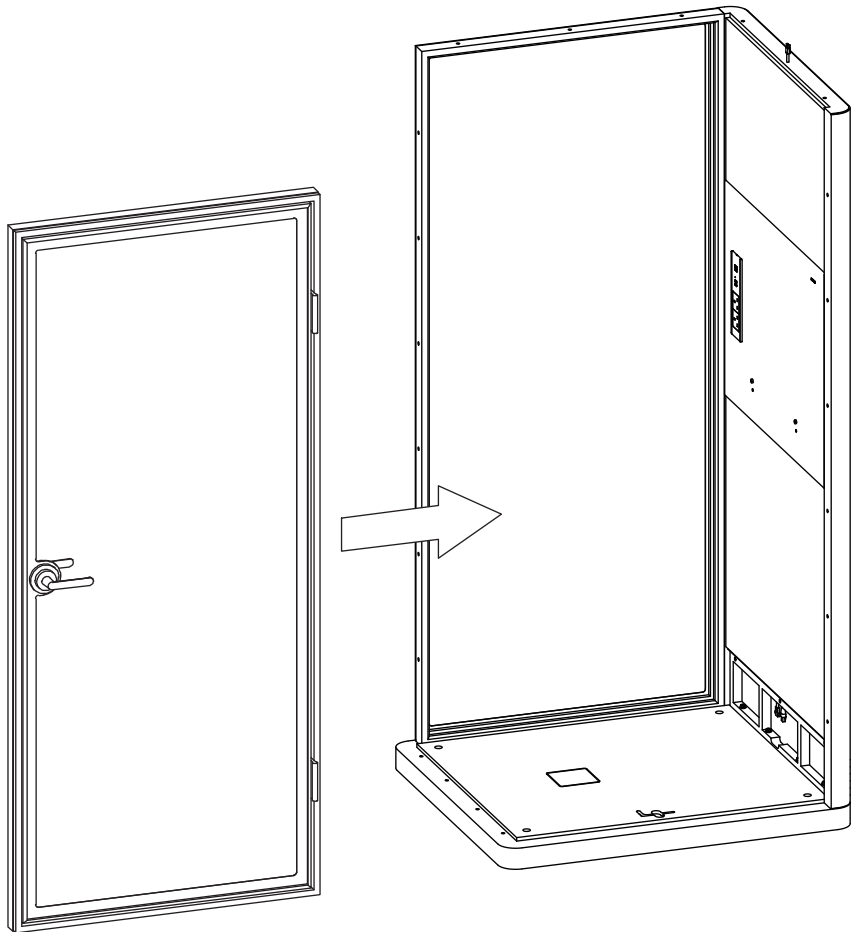
M8 x 40



Step 8.



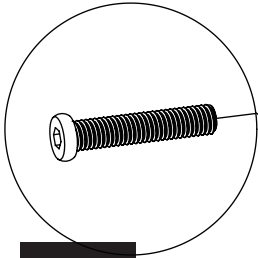
Step 9.



N°6

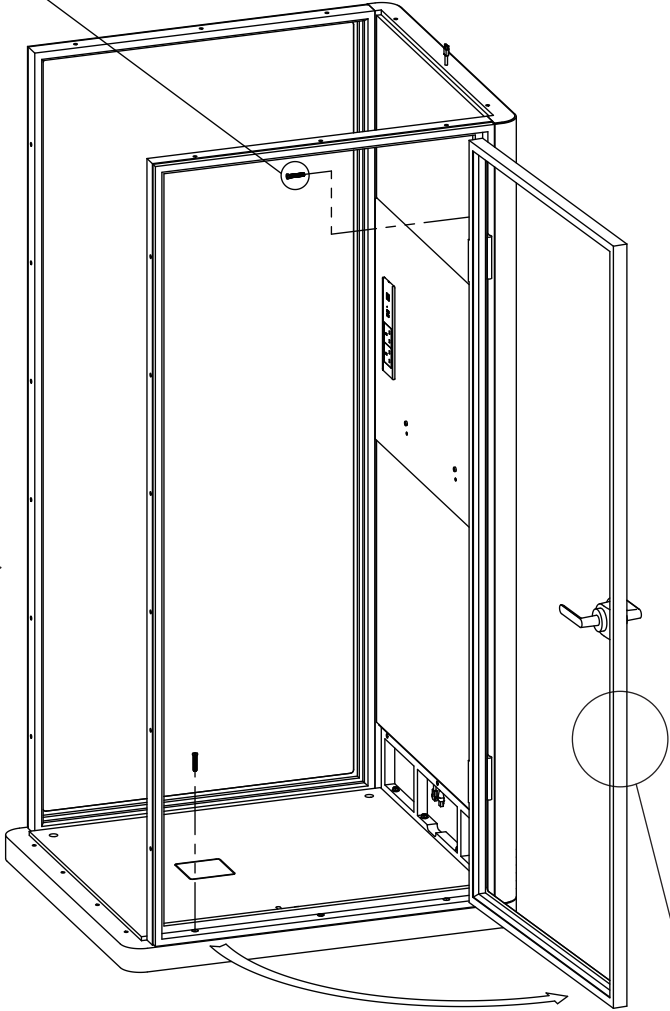
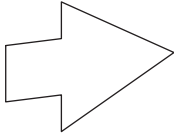
Glass Door Frame


Step 10.




A x2

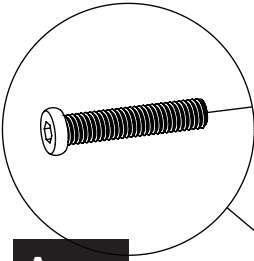
M8 x 40



 **ATTENTION:**
Needs manual support to hold the door in upright position.

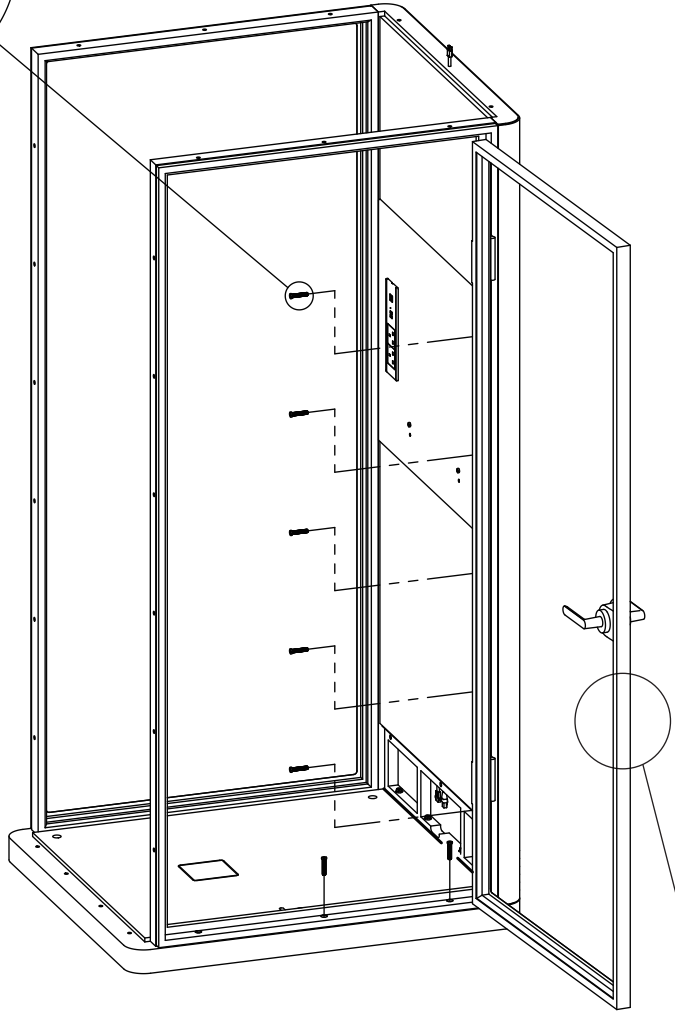




Step 11.



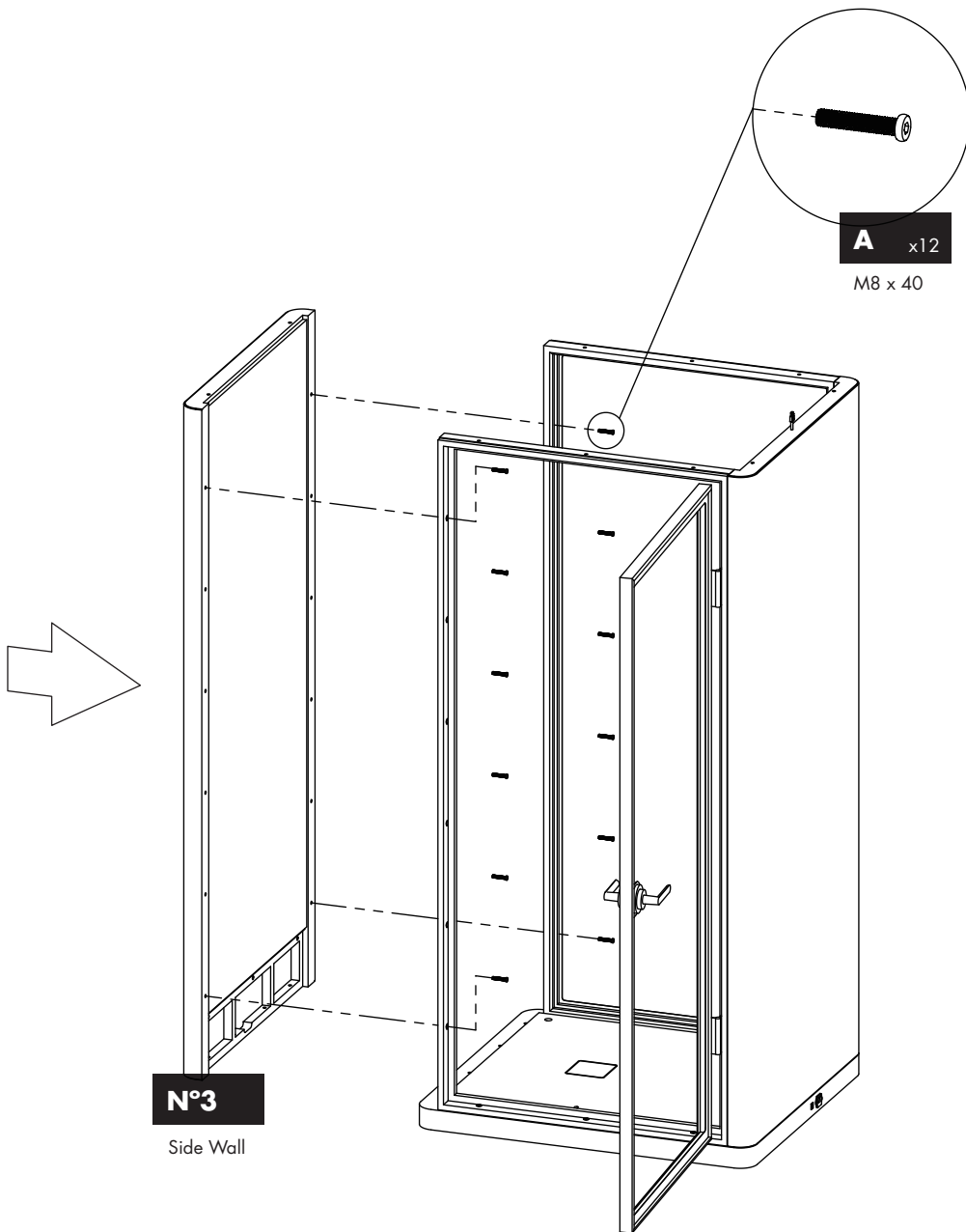
A x7

M8 x 40

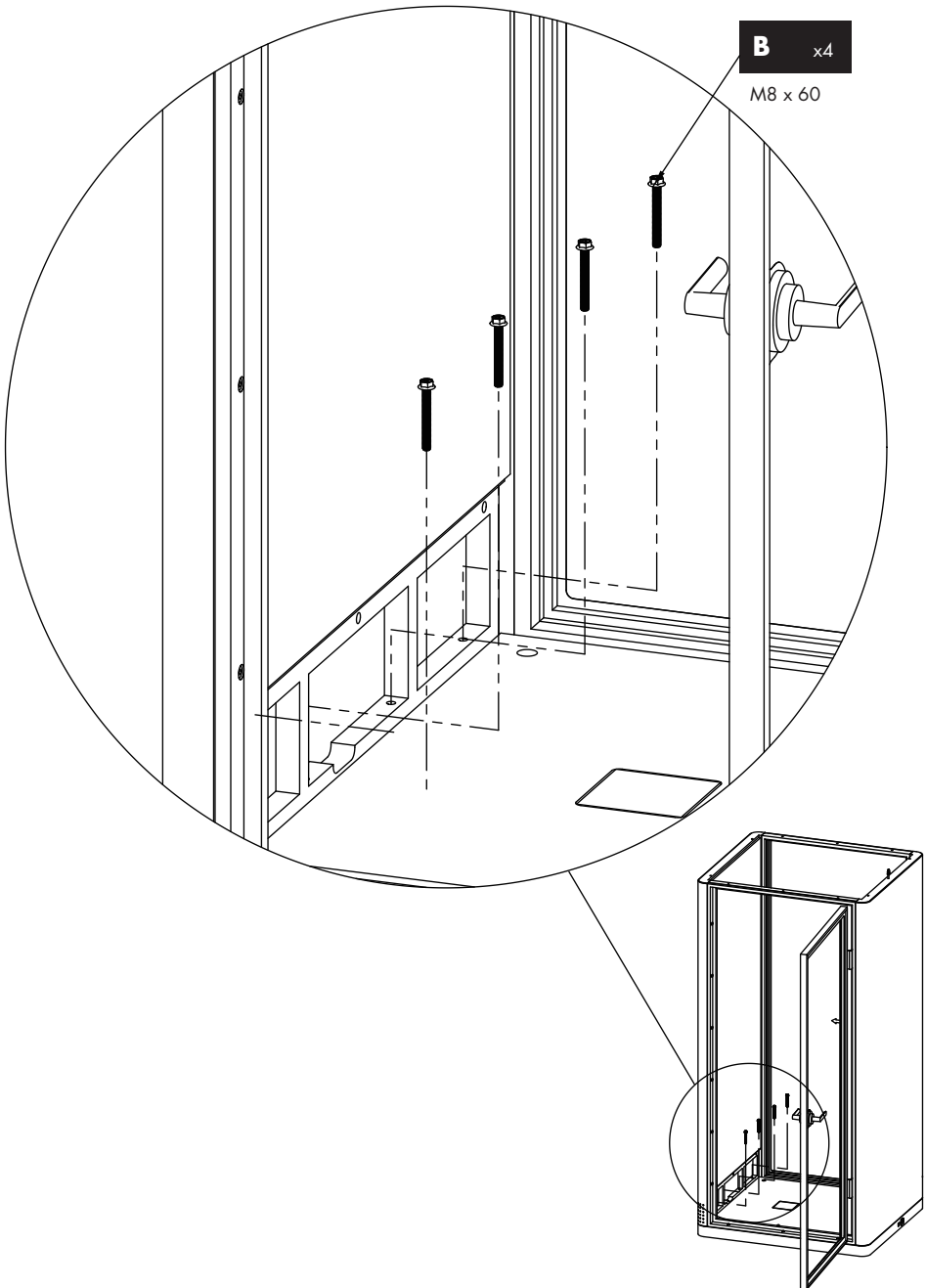


 **ATTENTION:**
Needs manual support to hold the
 door in upright position.

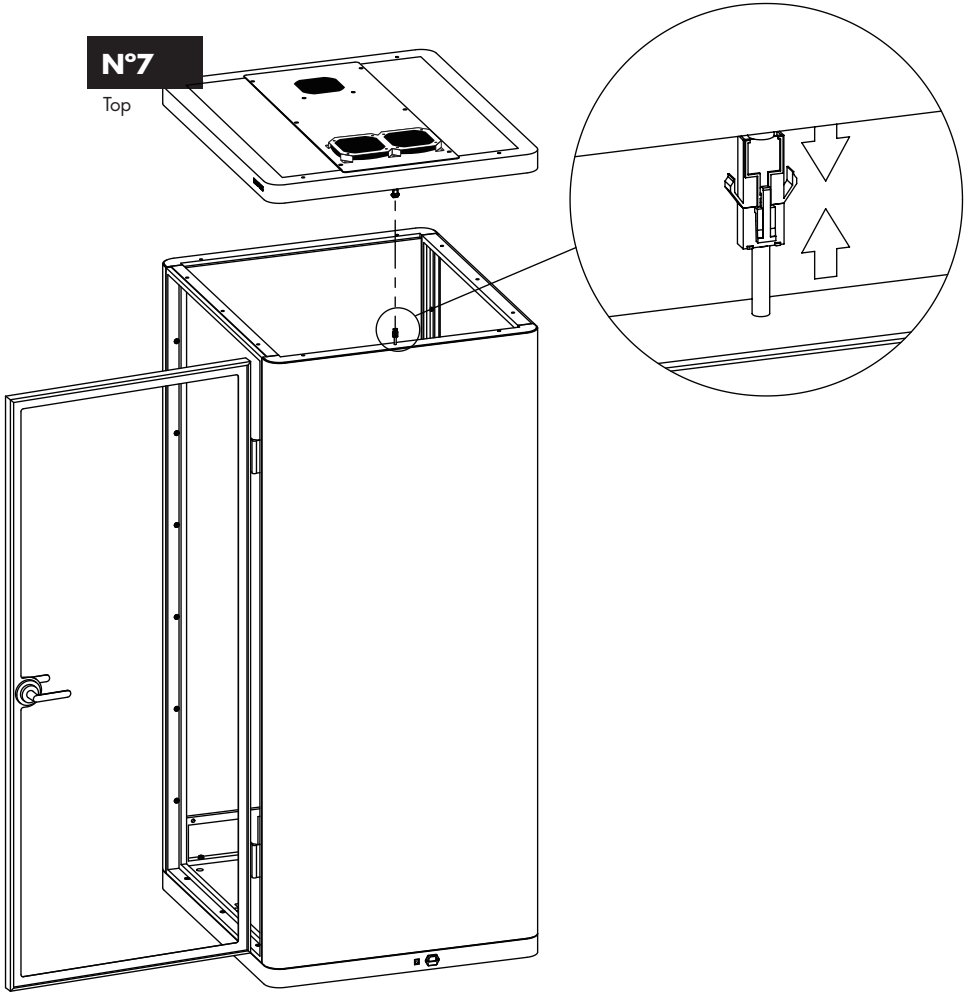
Step 12.



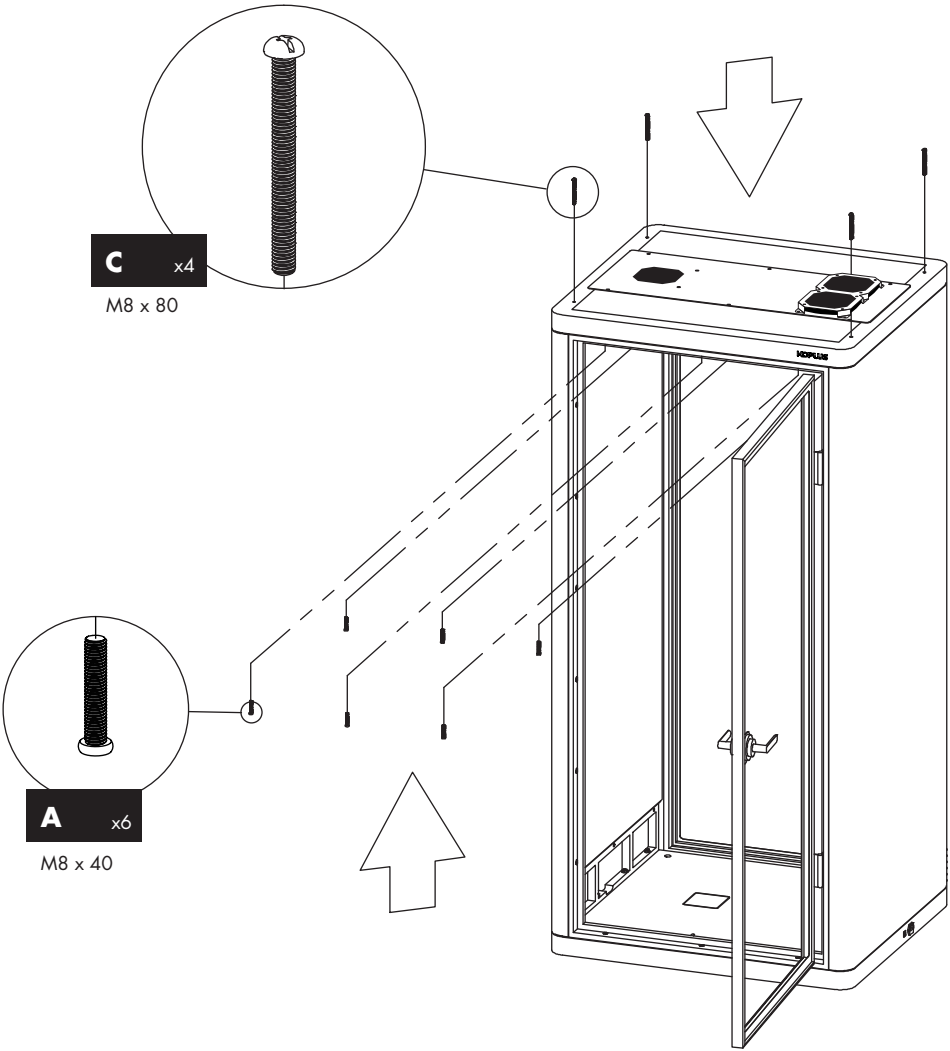
Step 13.



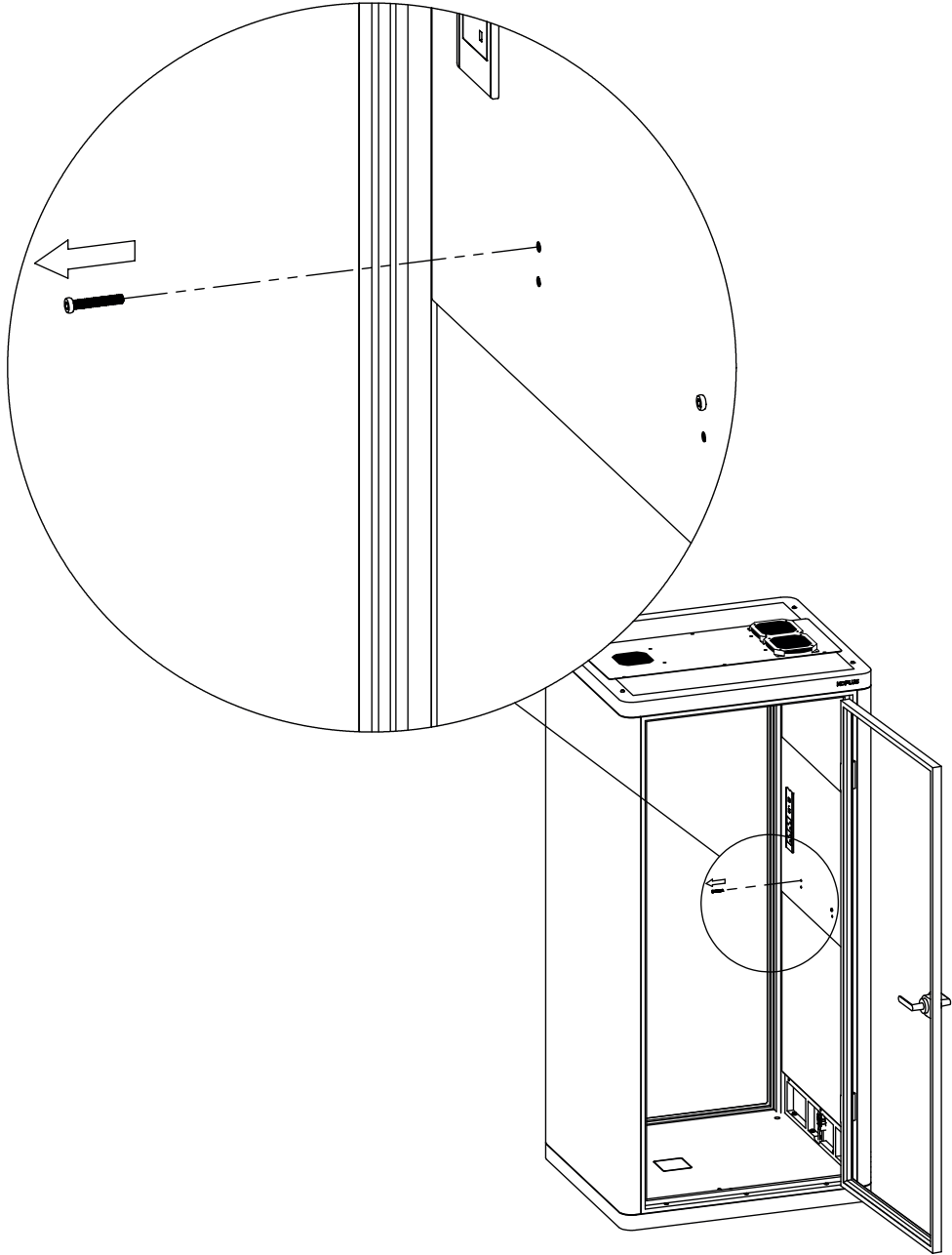
Step 14.



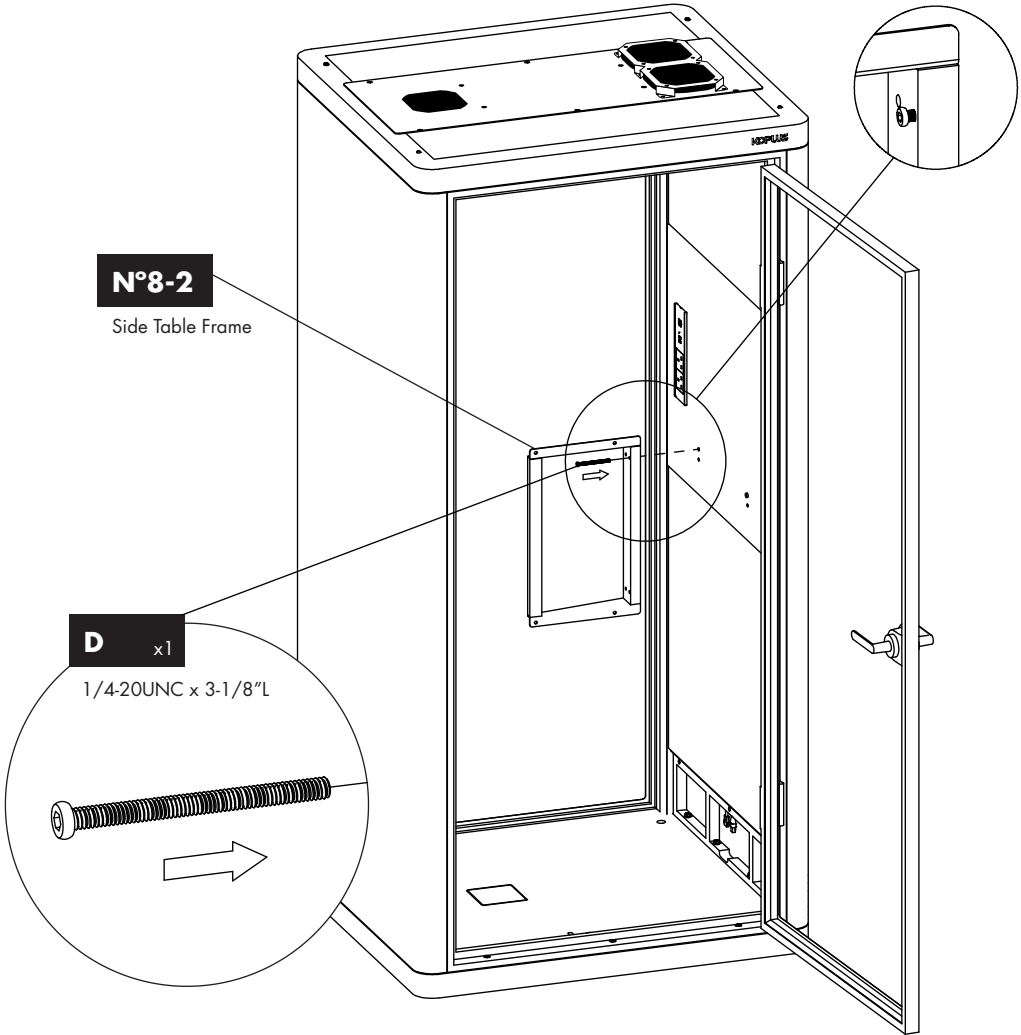
Step 15.



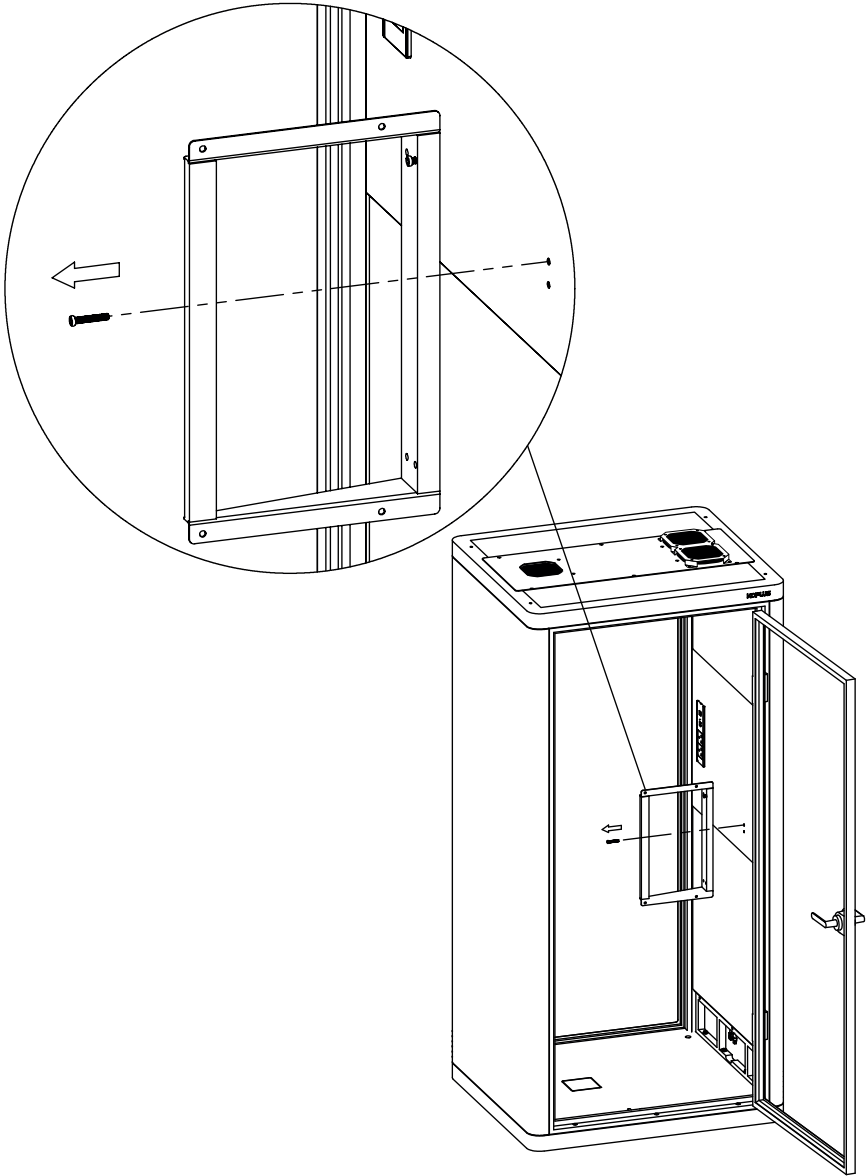
Step 16.



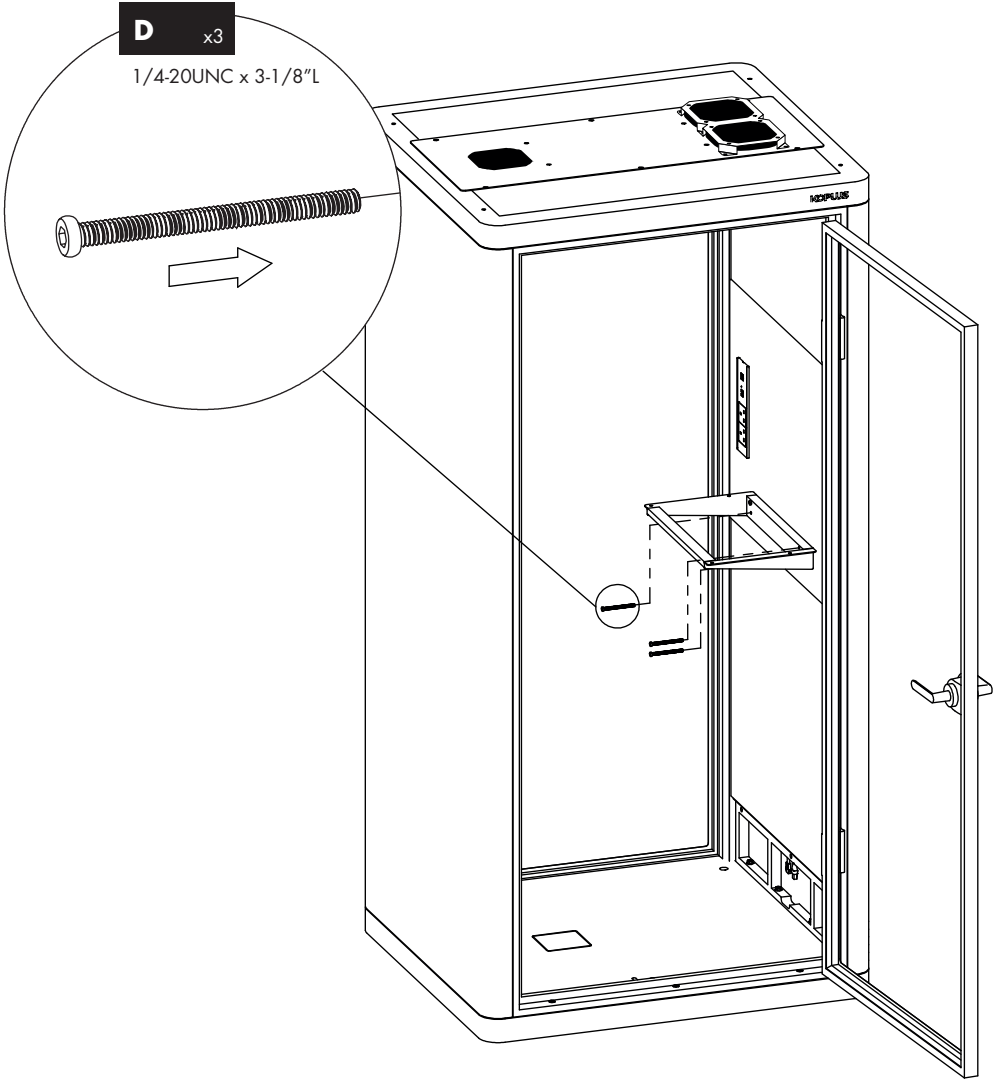
Step 17.



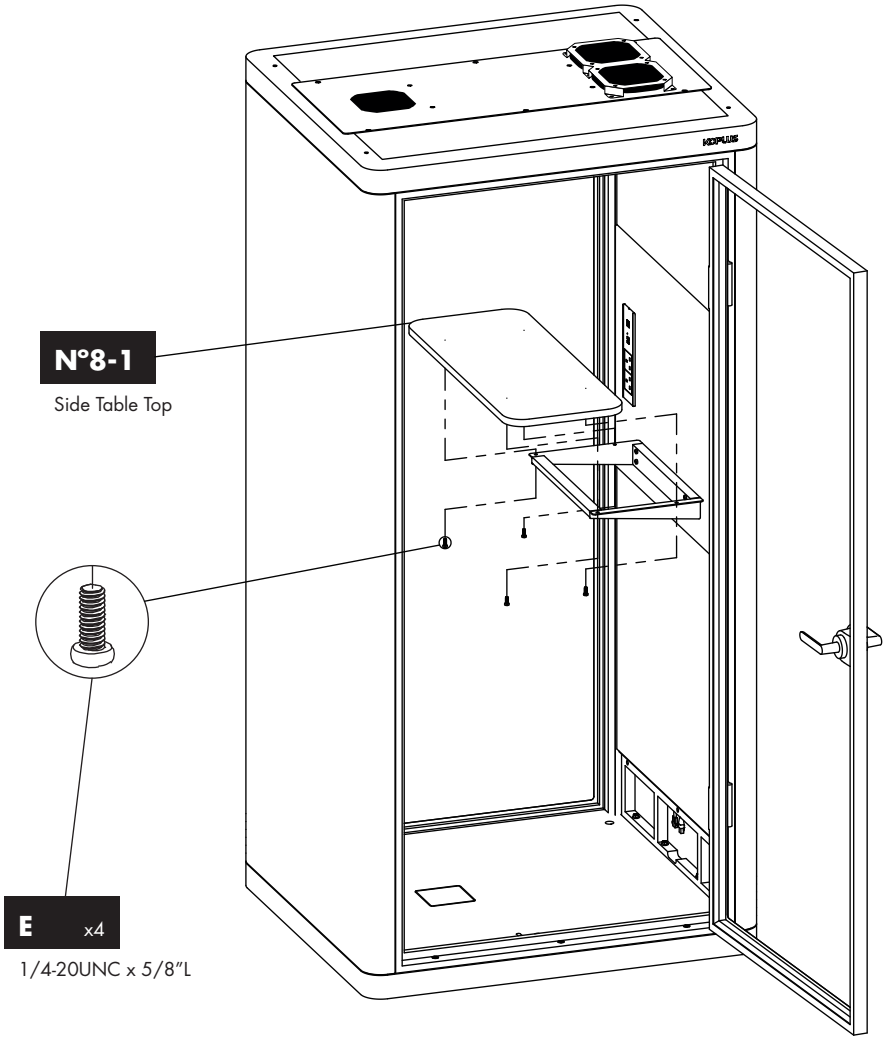
Step 18.



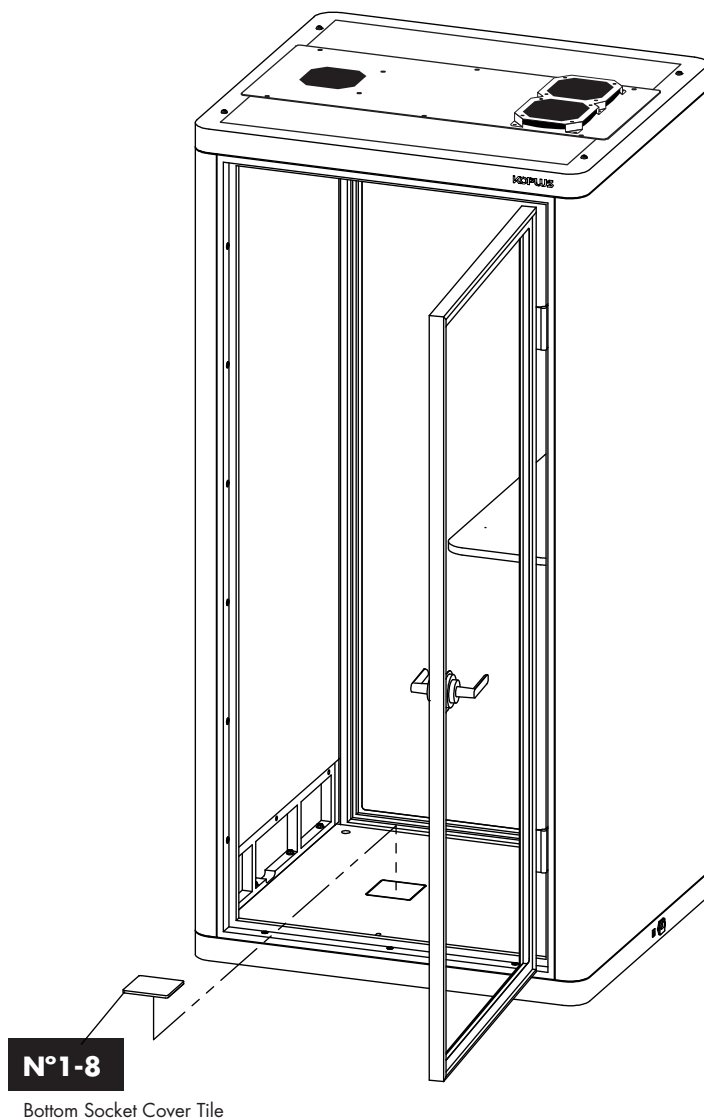
Step 19.



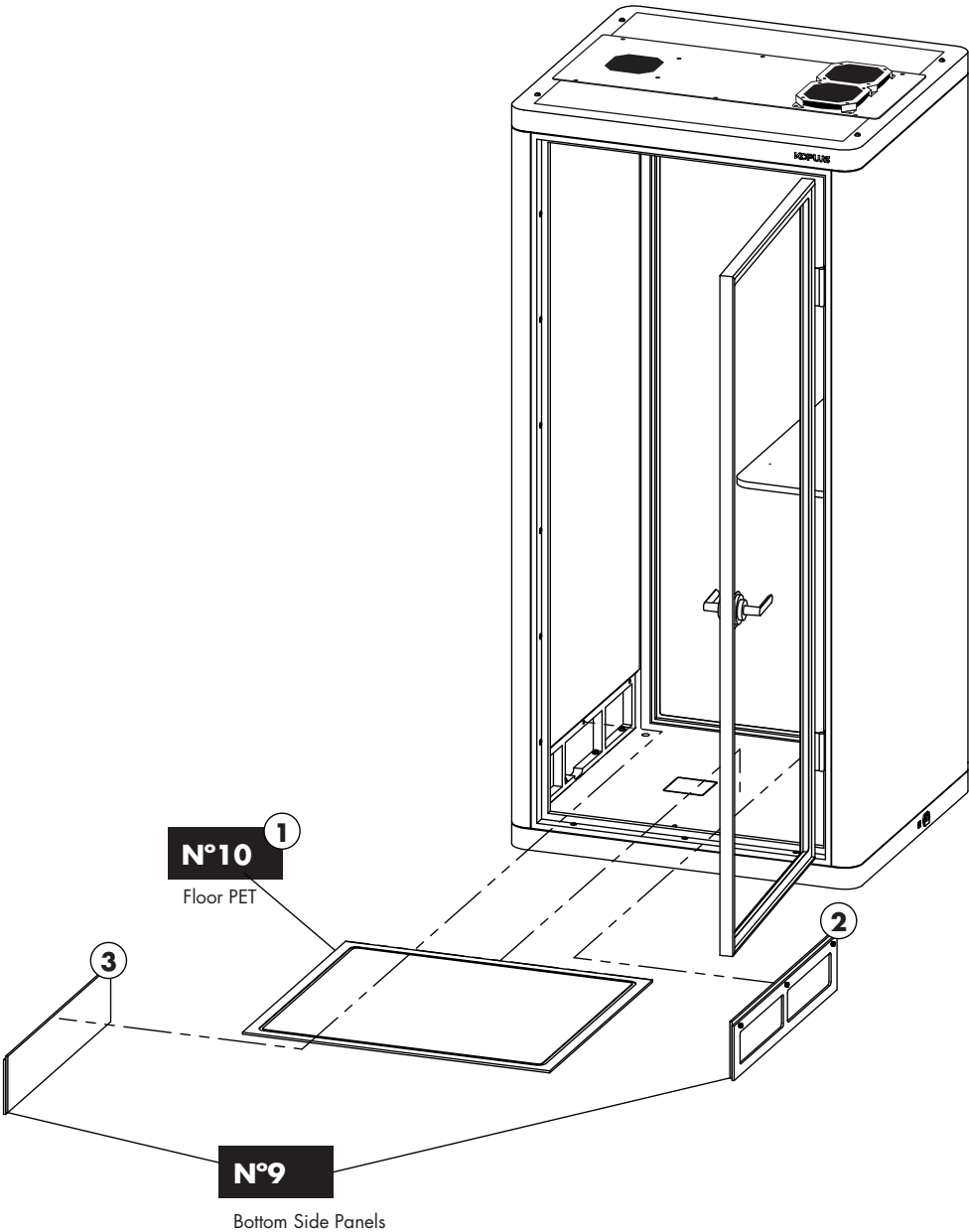
Step 20.

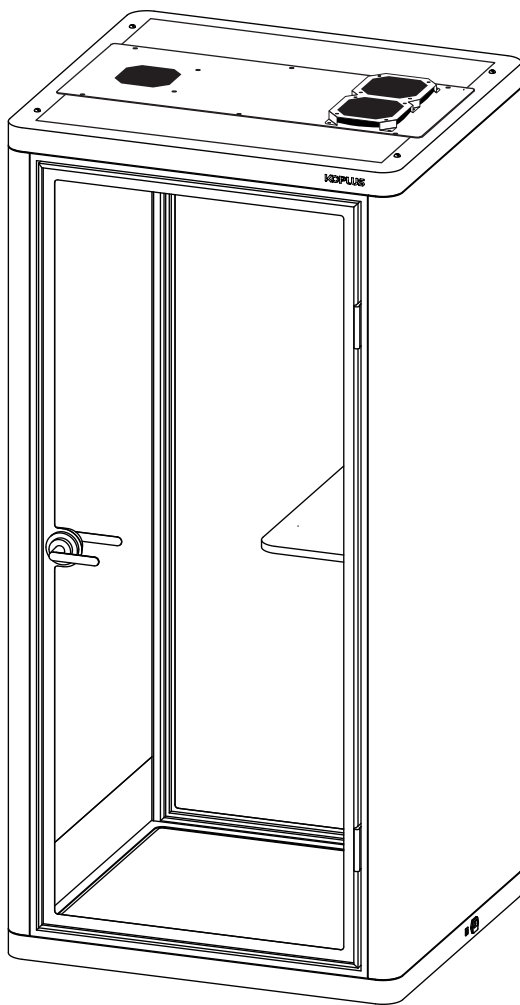


Step 21.



Step 22.





workin' on dreams