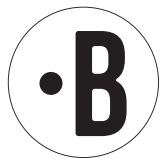
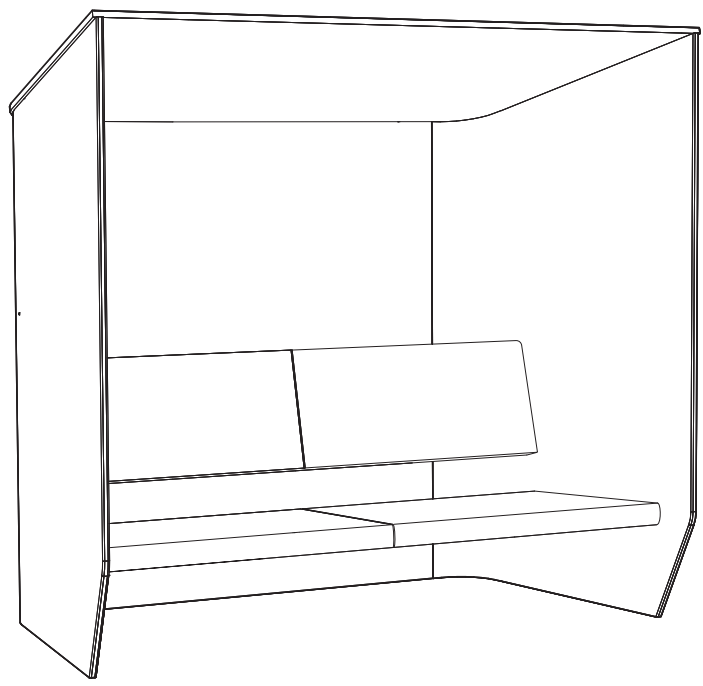


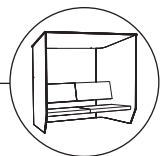
BuzziHub

INSTALLATION MANUAL



BuzziHub

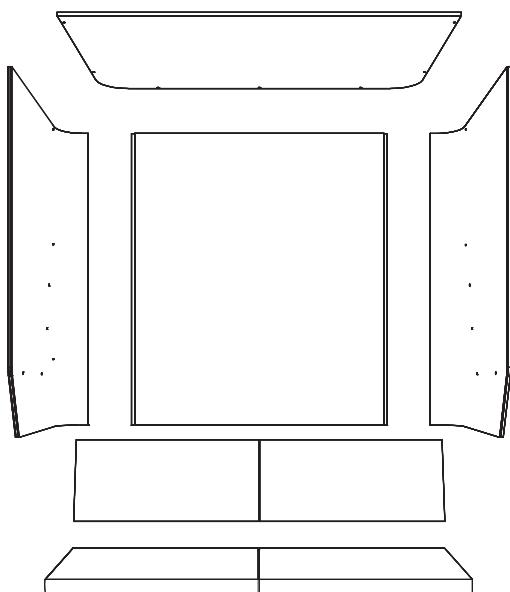
3 PERS. 



Excl.



Incl.



Hub Single 6x
Hub 7x



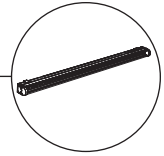
Hub Single 6x
Hub 7x



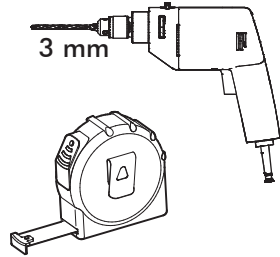
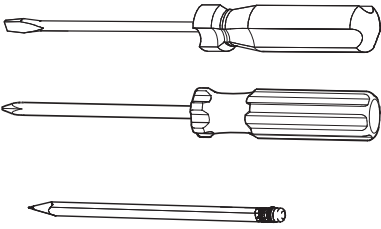
8x



Optional BackLight

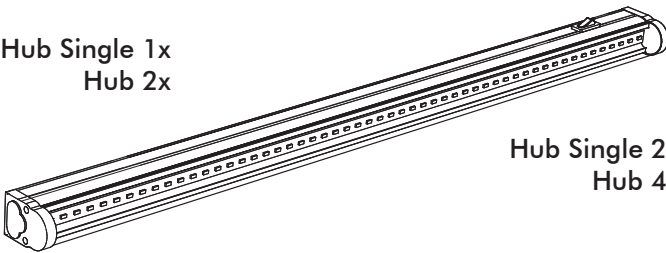


Excl.



Incl.

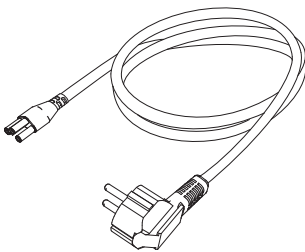
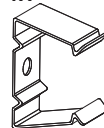
Hub Single 1x
Hub 2x



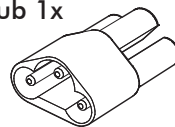
Hub Single 2x
Hub 4x



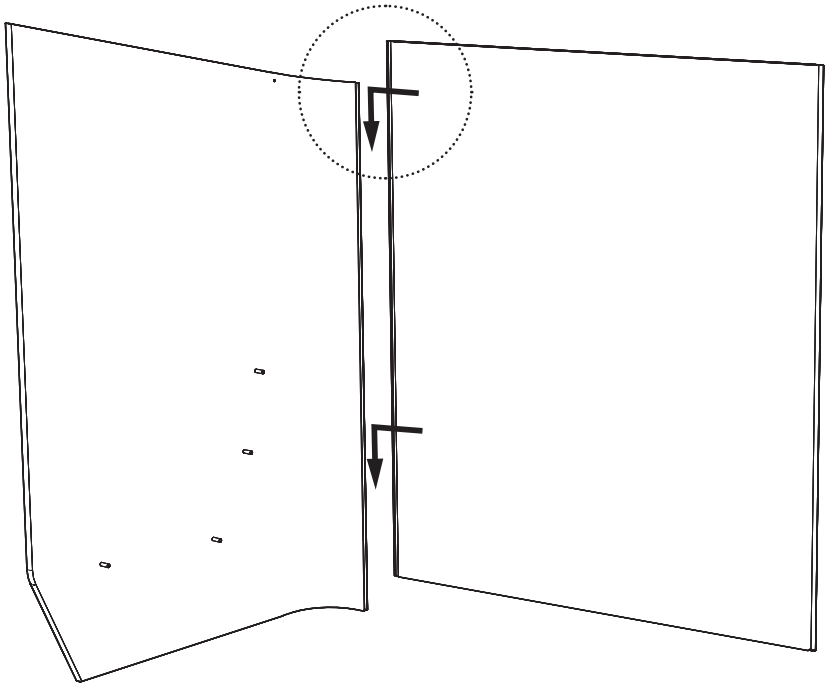
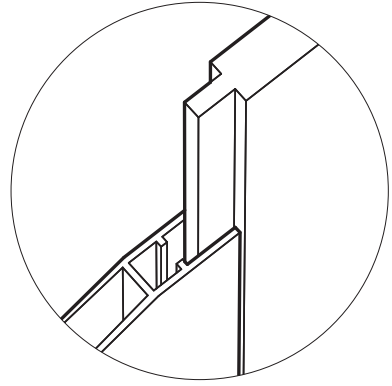
Hub Single 2x
Hub 4x



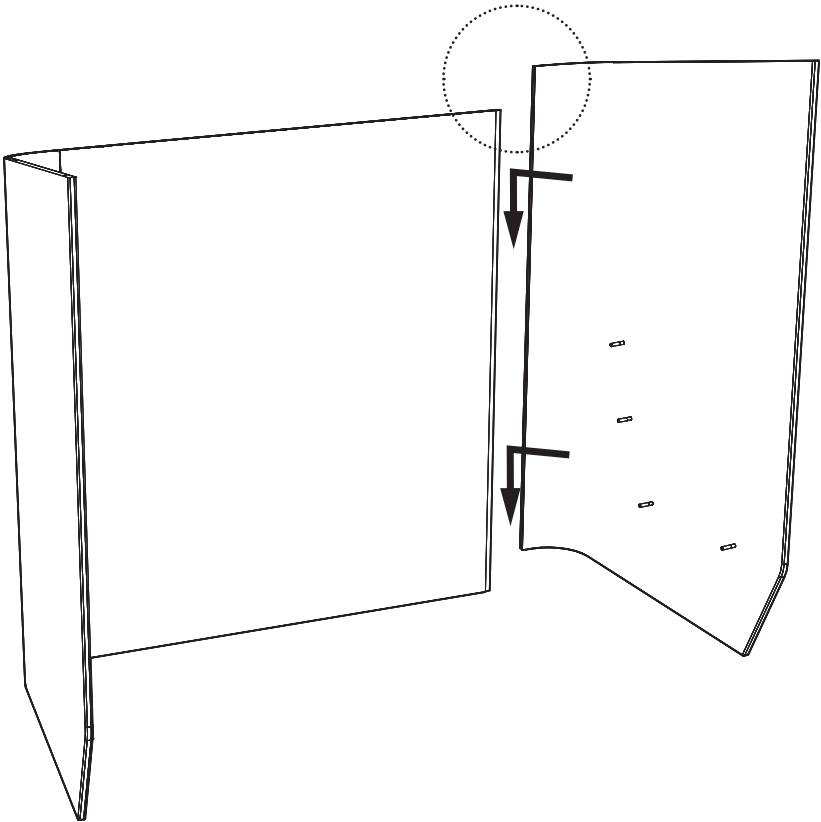
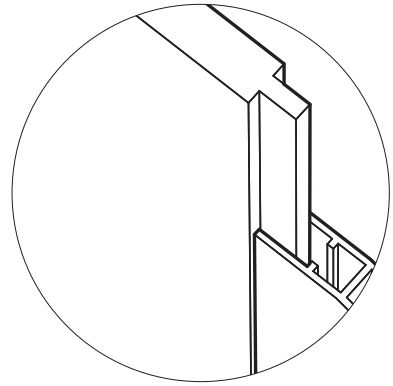
Hub 1x



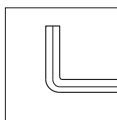
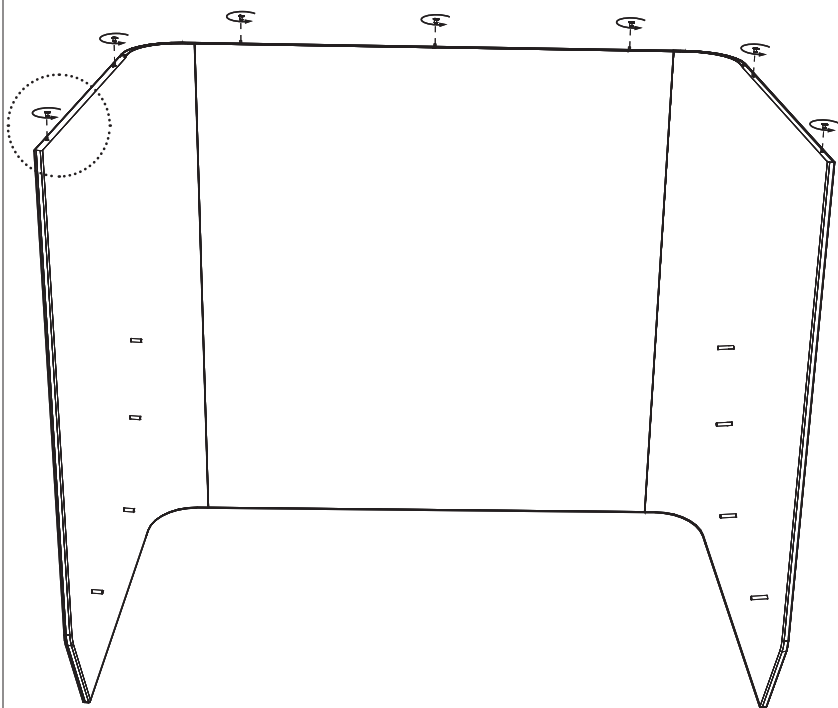
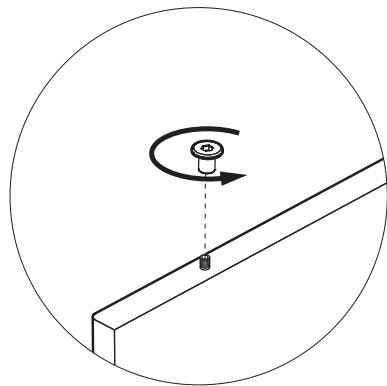
1



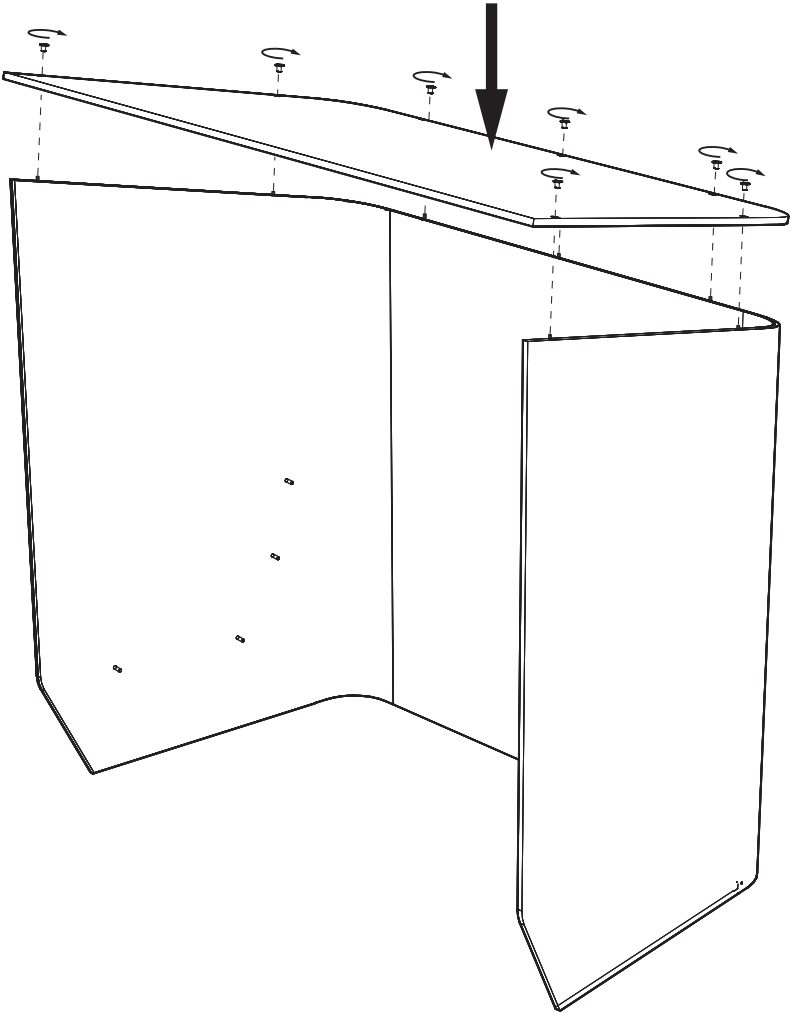
2



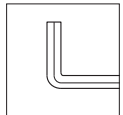
3



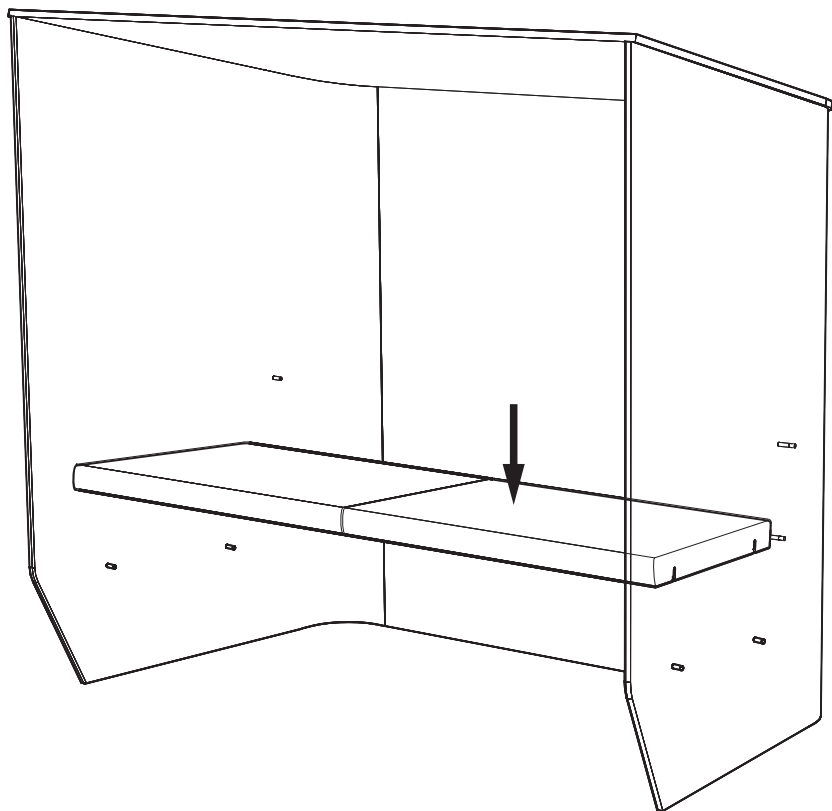
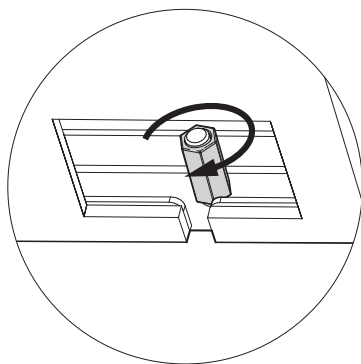
4



Hub Single 6x
Hub 7x



5



4x

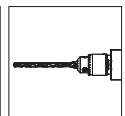
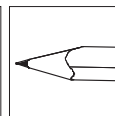
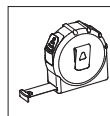
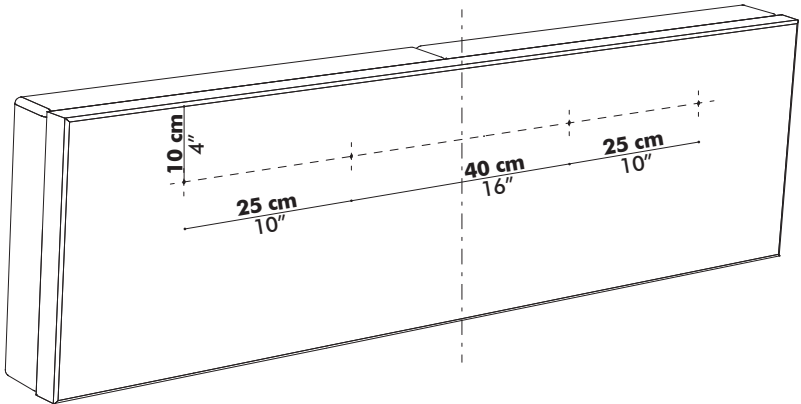
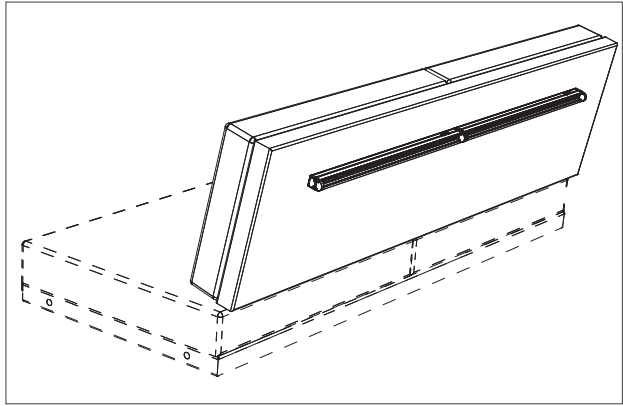


Optional BackLight

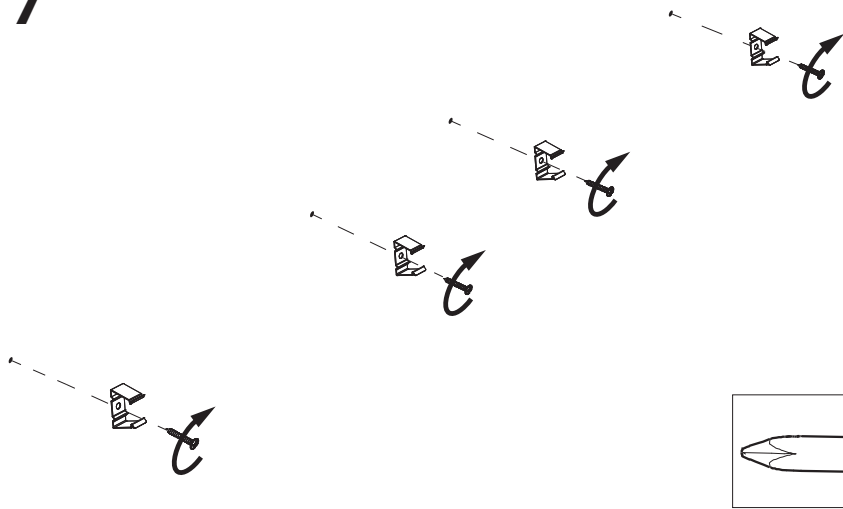
1 PERS. 



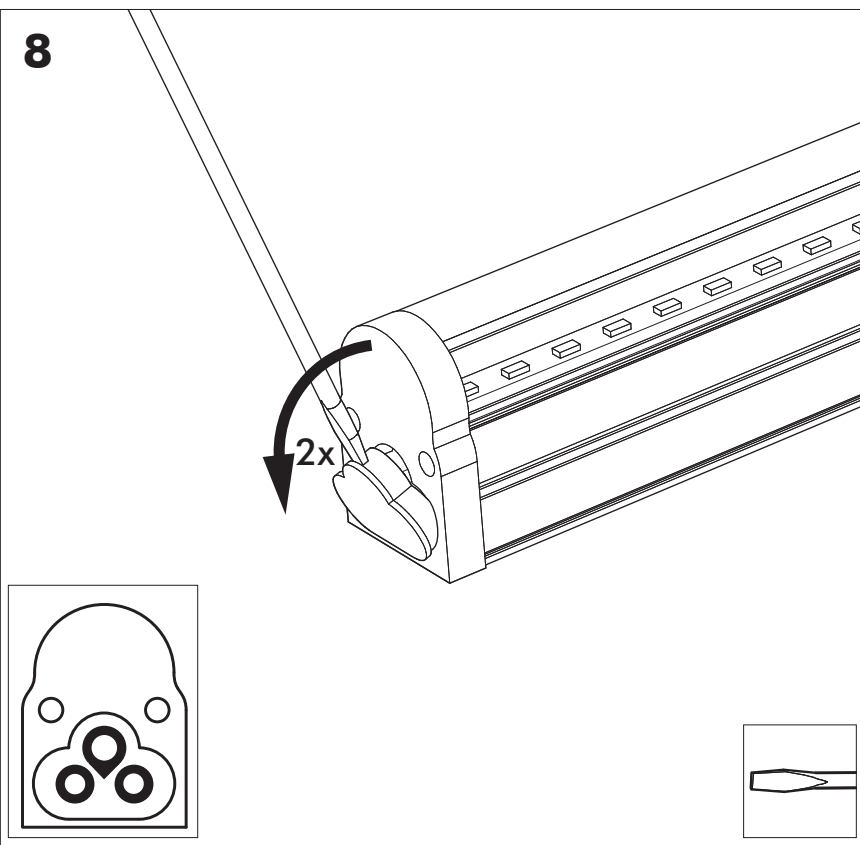
6

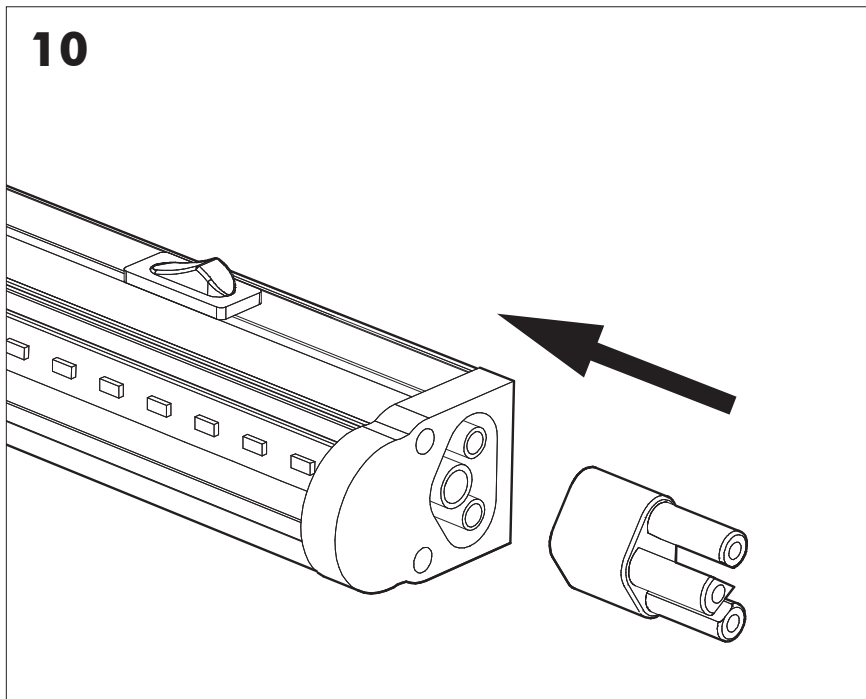
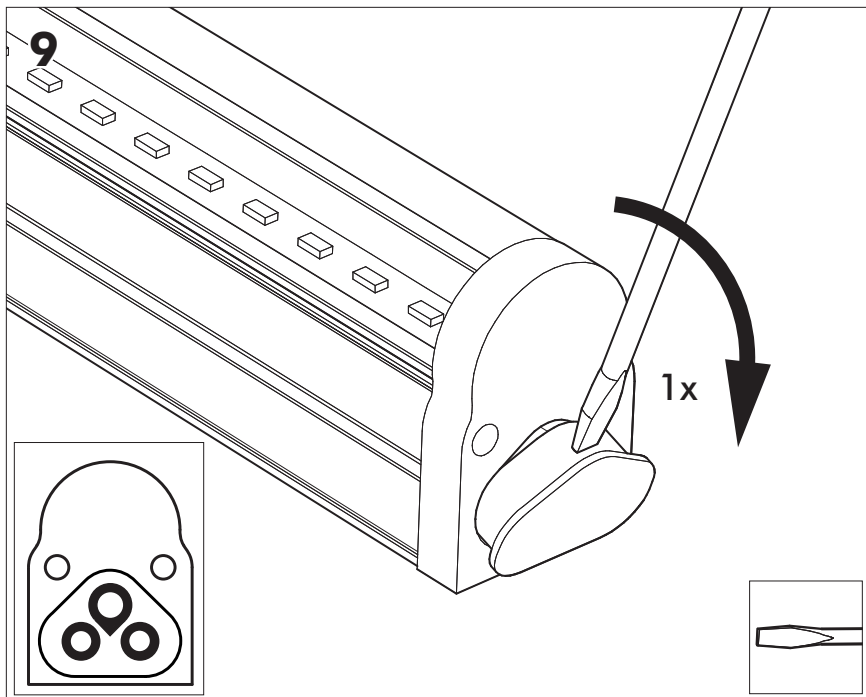


7

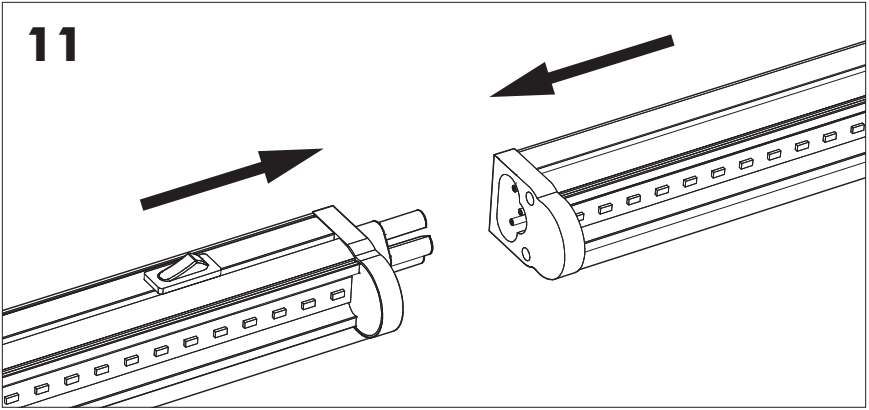


8



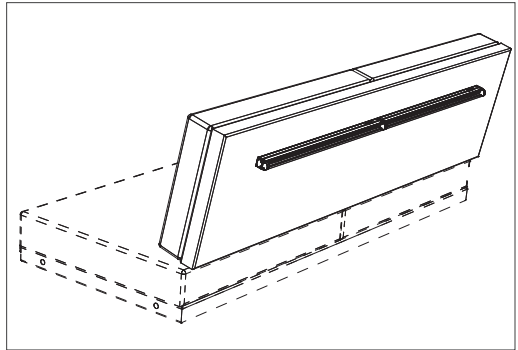
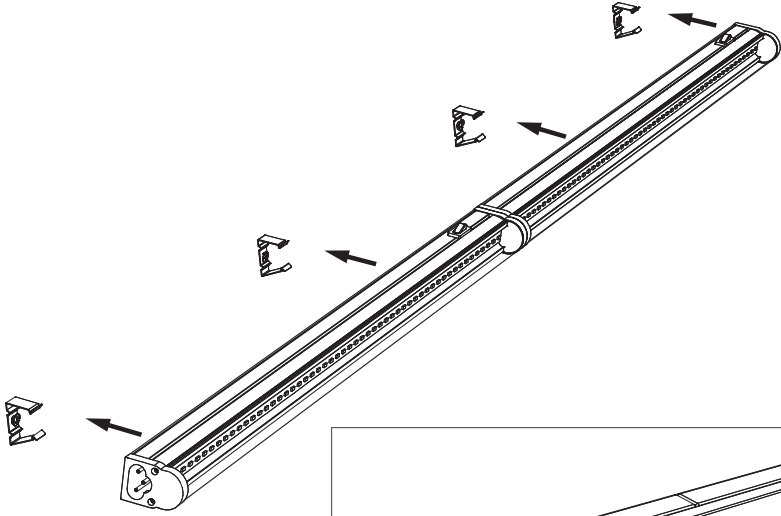
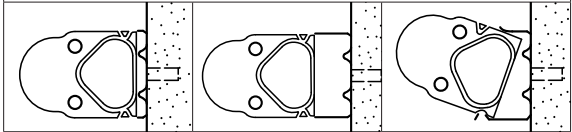


11

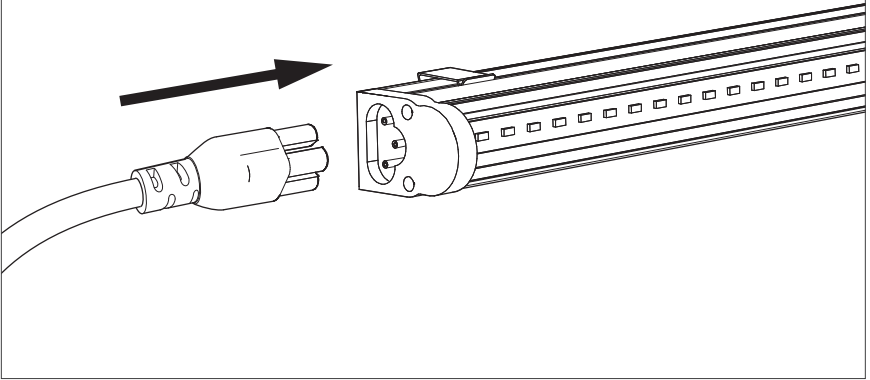


12

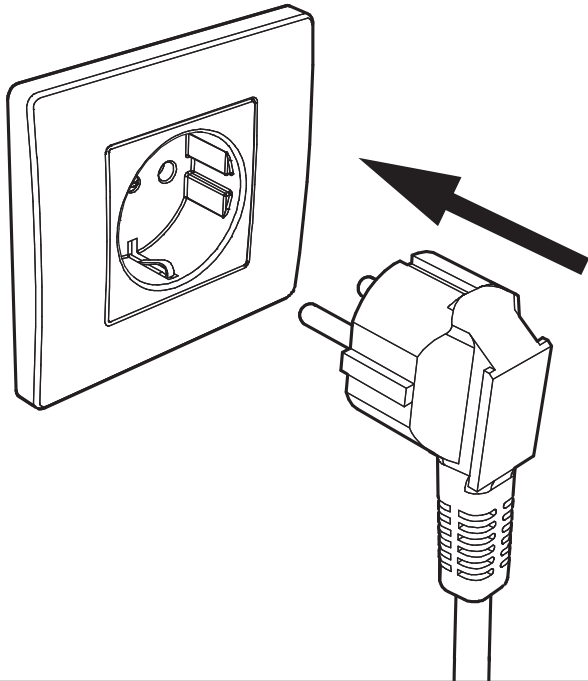
3 mounting options



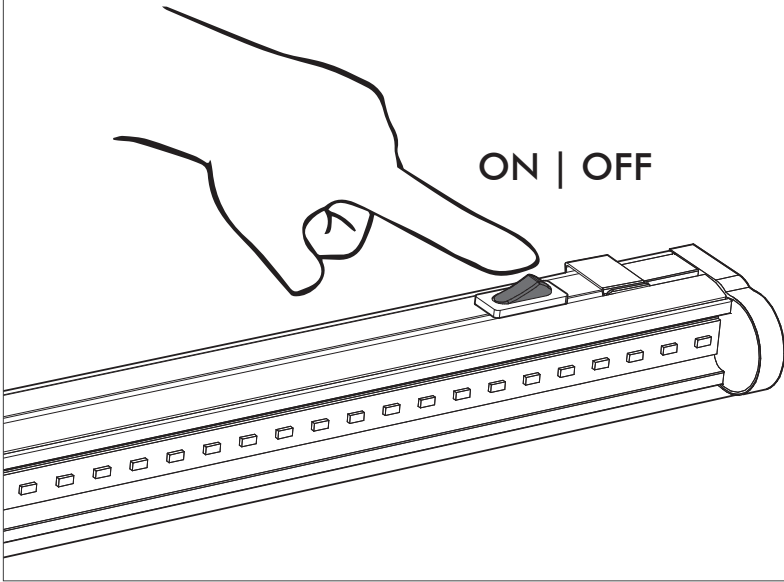
13



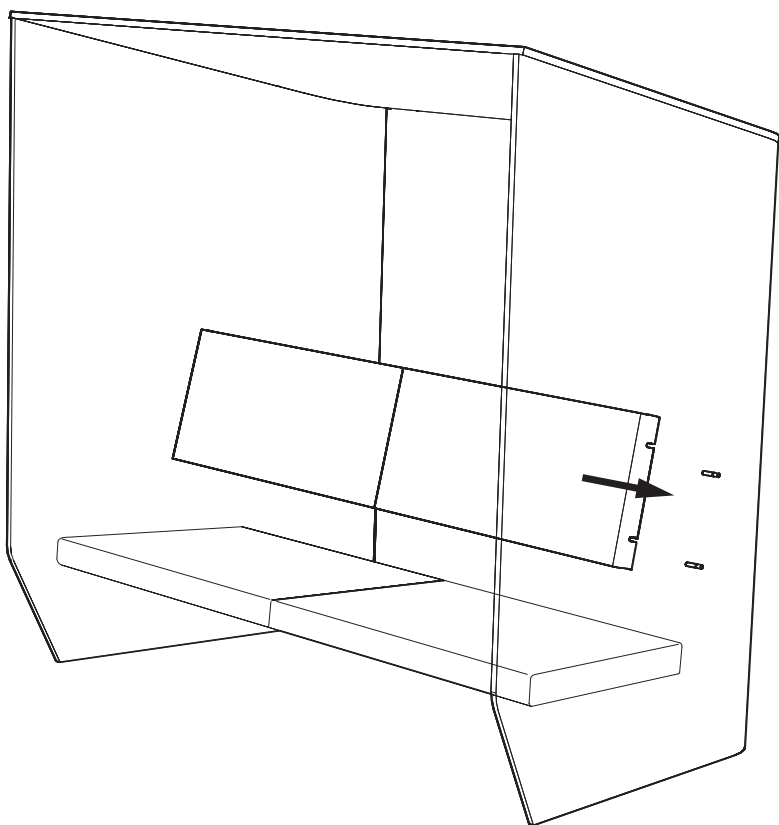
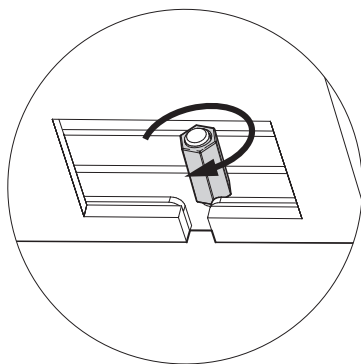
14



15



16



4x



BuzziSpace
Groeningenlei 141
2550 Antwerp, Kontich
Belgium
☎ +32 (0)3 846 10 00
✉ info@buzzi.space
🌐 www.buzzi.space



Doc nr.: A-0000002320
Last update: 13/12/2017