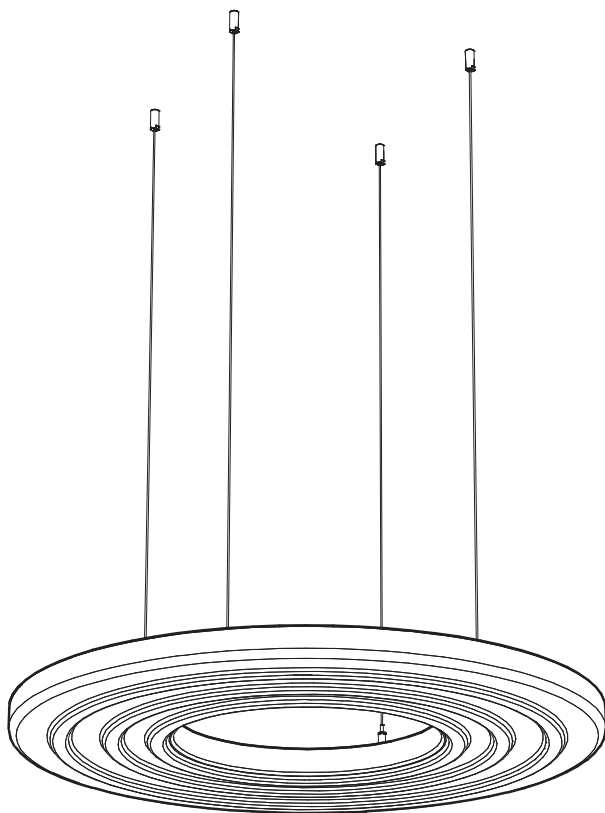
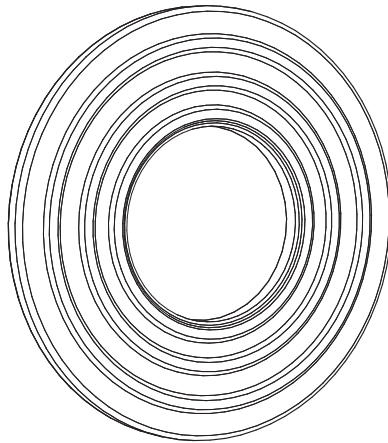
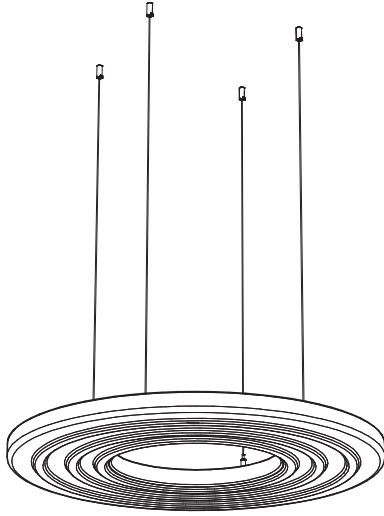


# BuzziDonut

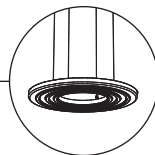
INSTALLATION MANUAL



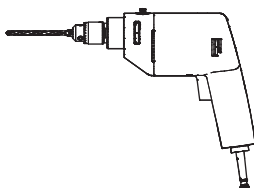


# BuzziDonut

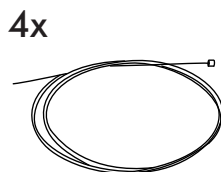
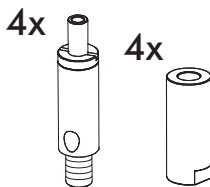
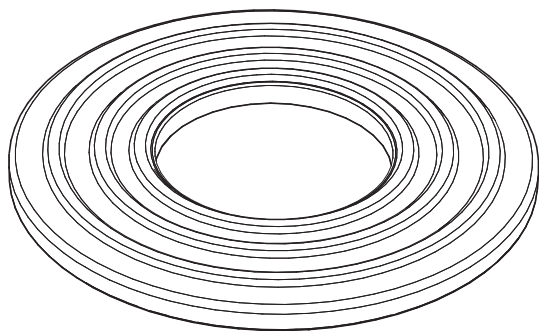
2 PERS. 



Excl.



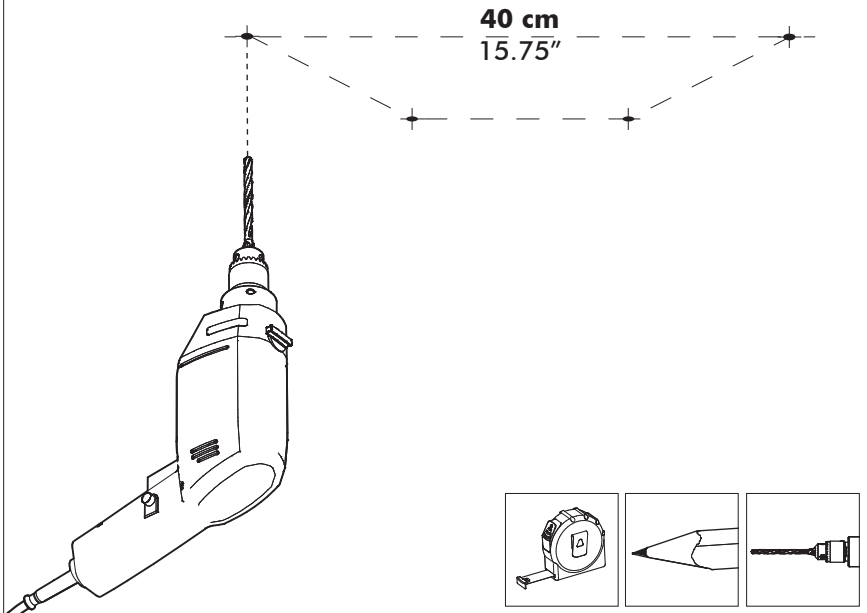
Incl.



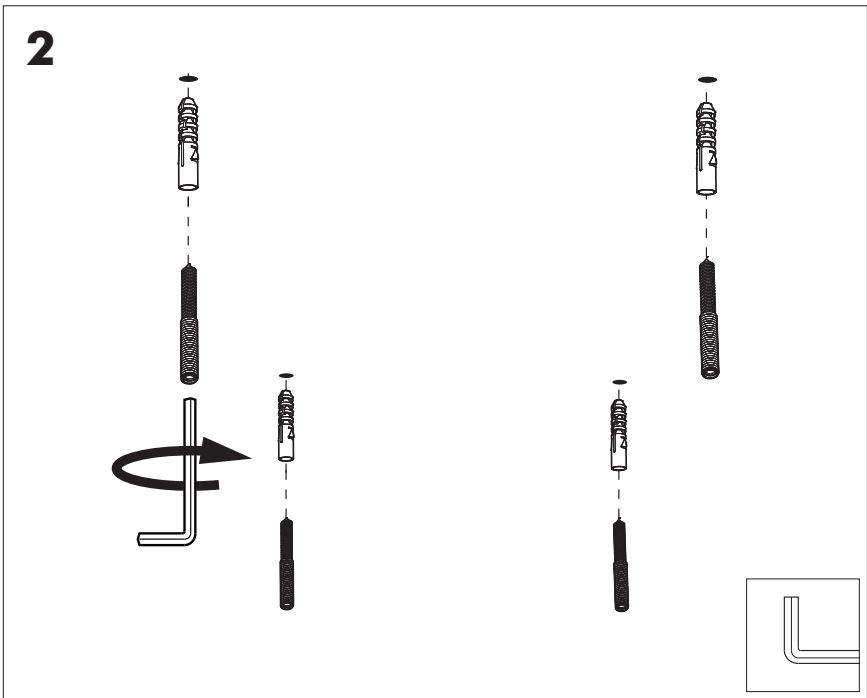
M6



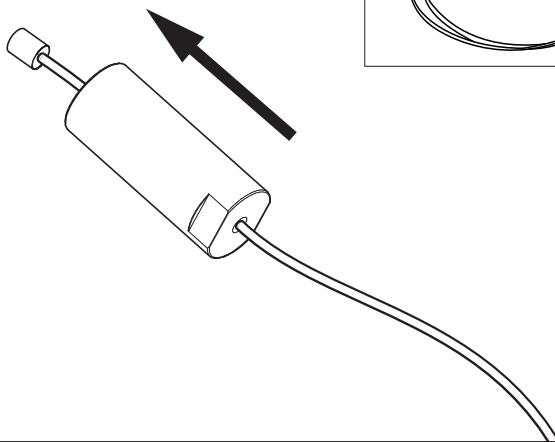
**1**



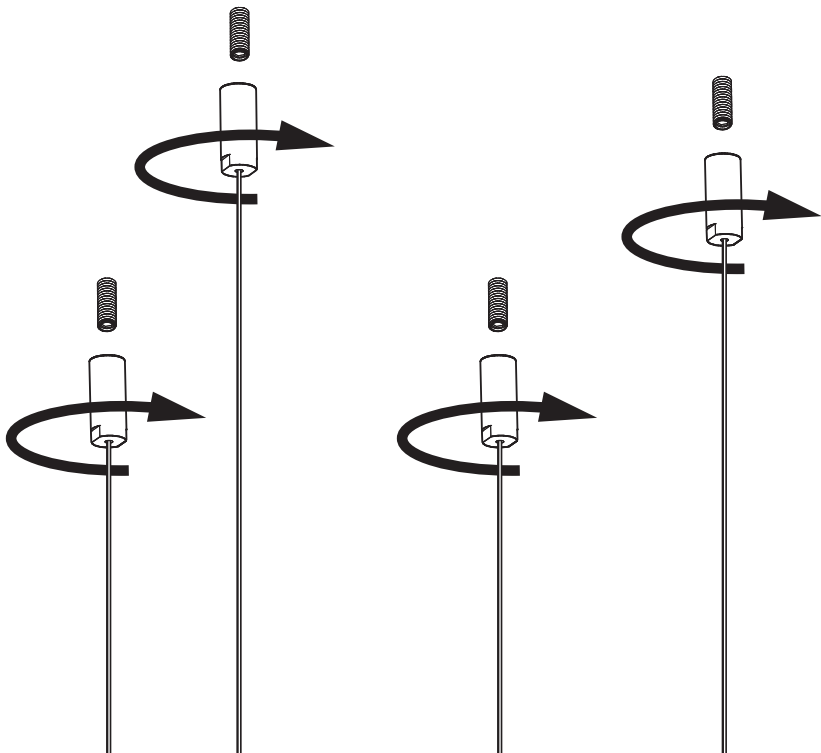
**2**



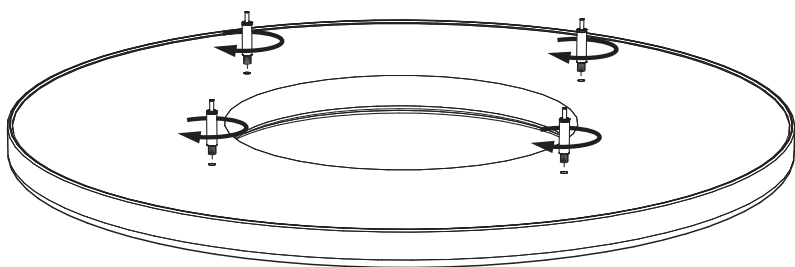
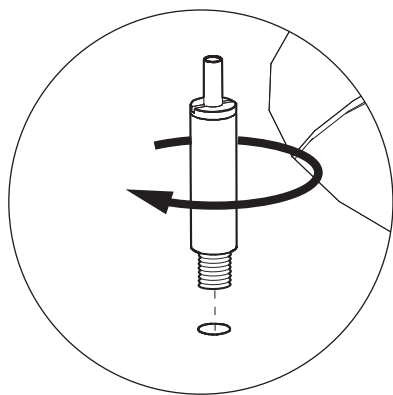
**3**



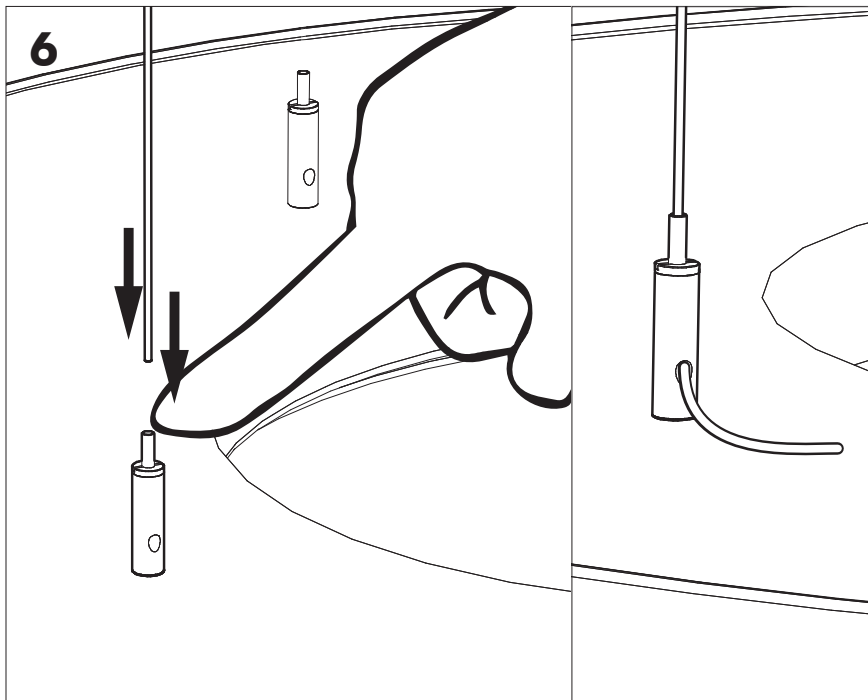
**4**



5

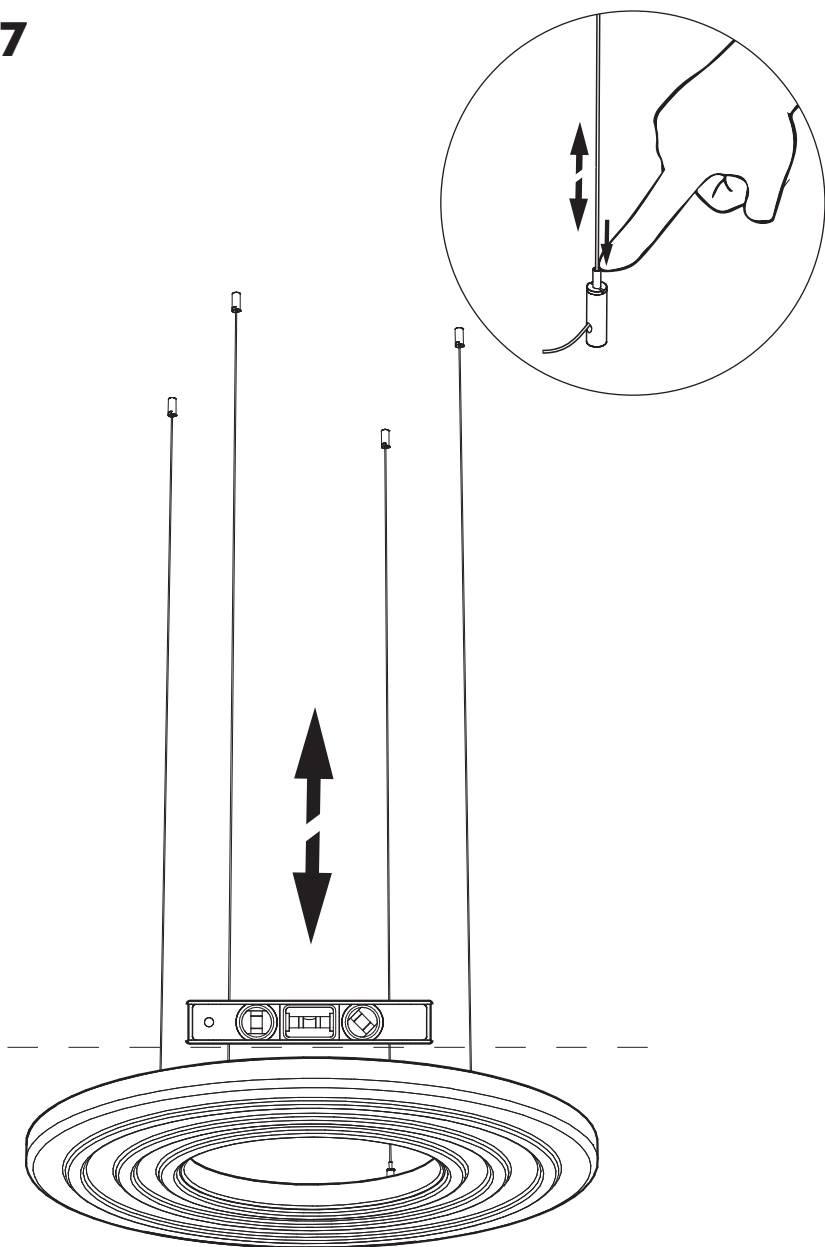


6

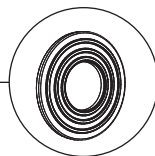


6

7

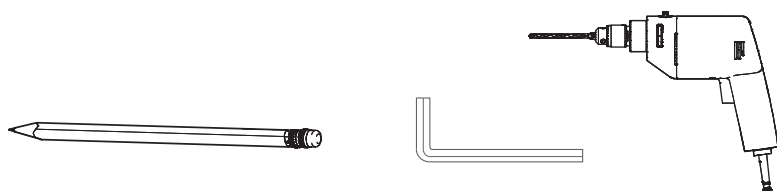


# BuzziDonut Wall



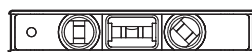
1 PERS. 

**Excl.**

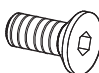


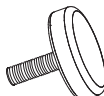
2x 

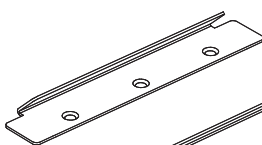
2x 

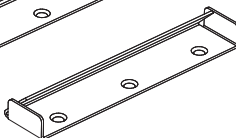


**Incl.**

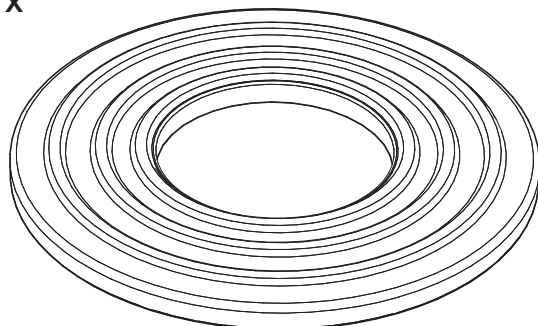
1x 

3x 

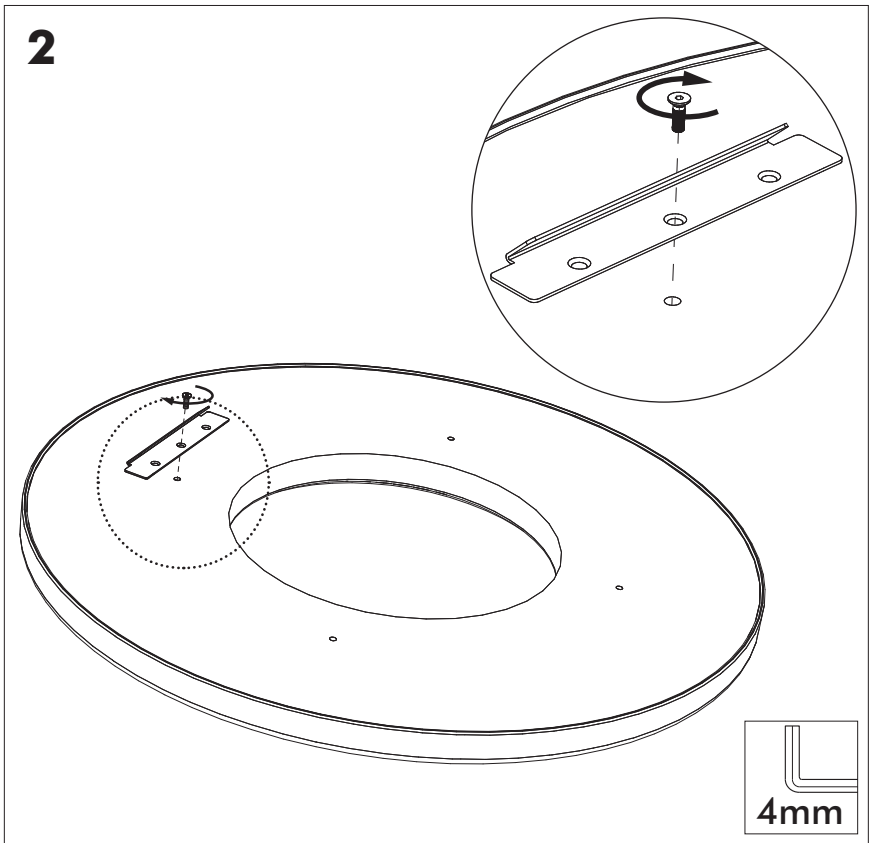
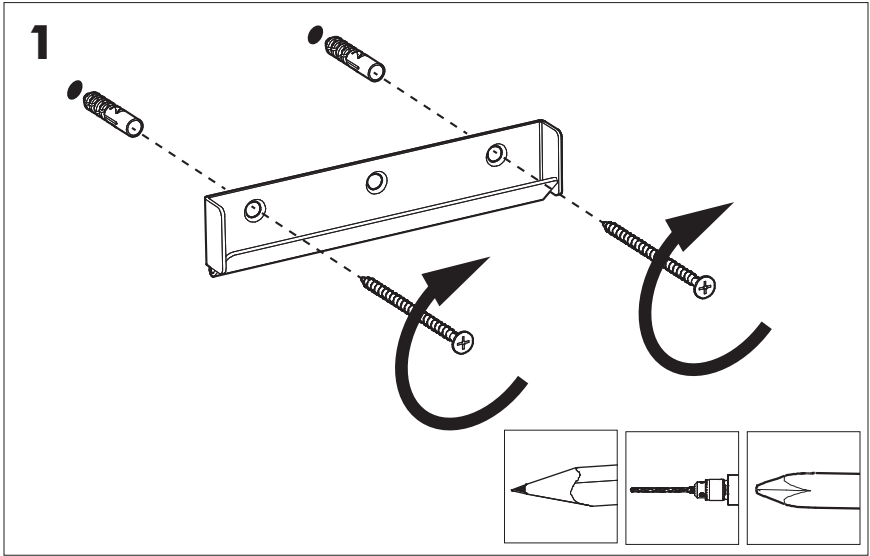
1x 

1x 

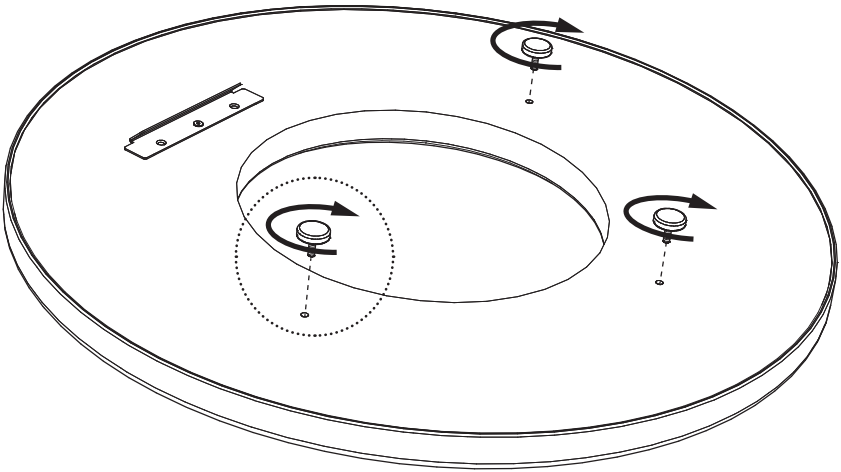
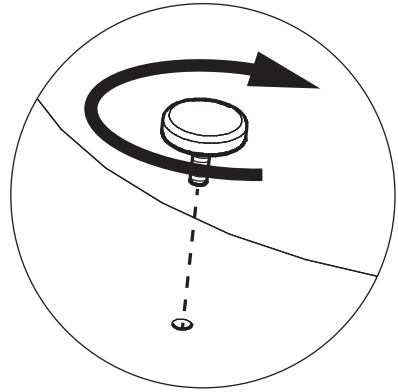
1x



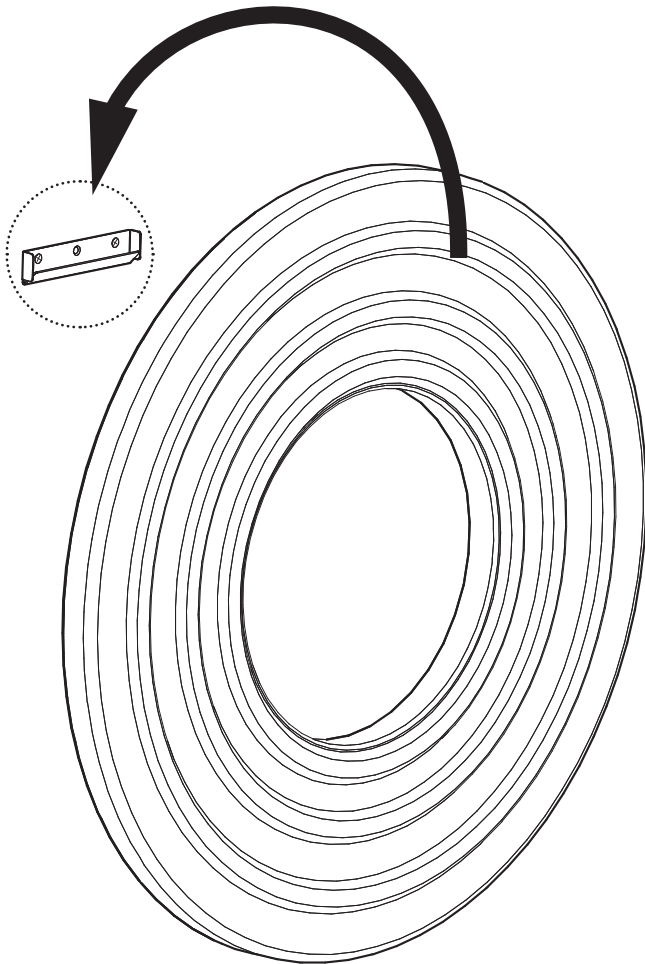
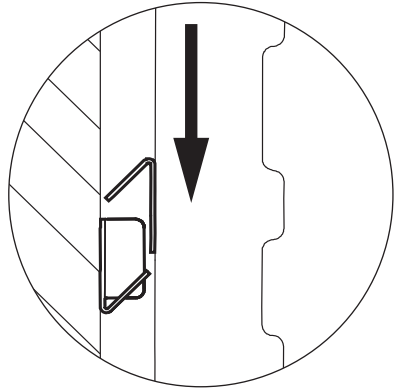




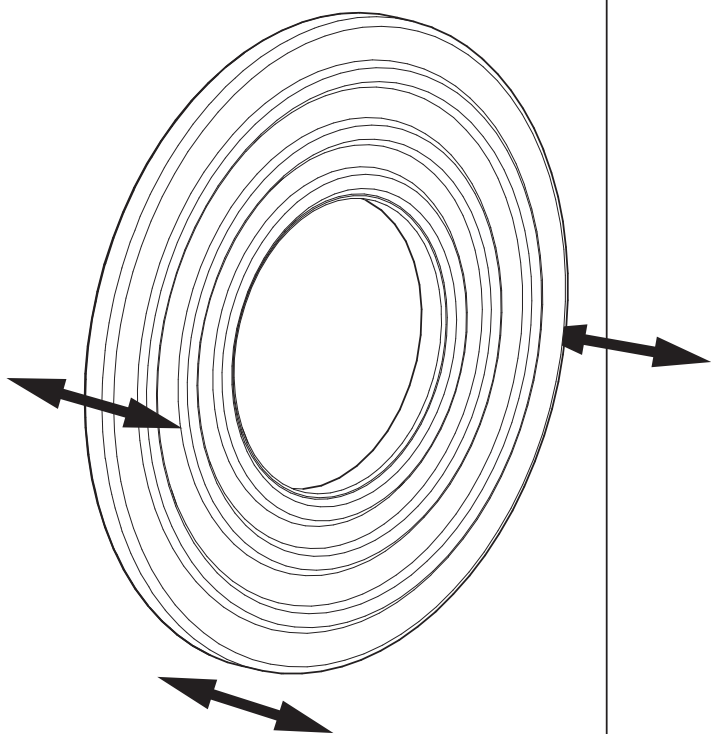
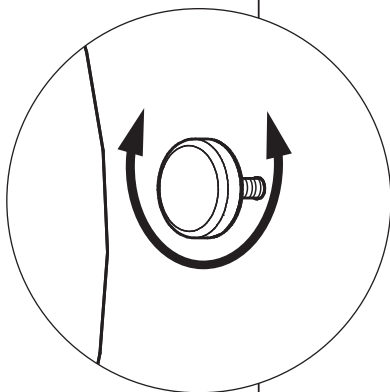
**3**



4



5









BuzziSpace  
Groeningenlei 141  
2550 Antwerp, Kontich  
Belgium  
☎ +32 (0)3 846 10 00  
✉ info@buzzi.space  
🌐 www.buzzi.space



Doc nr.: A-0000001328/2  
Last update: 04/09/2018