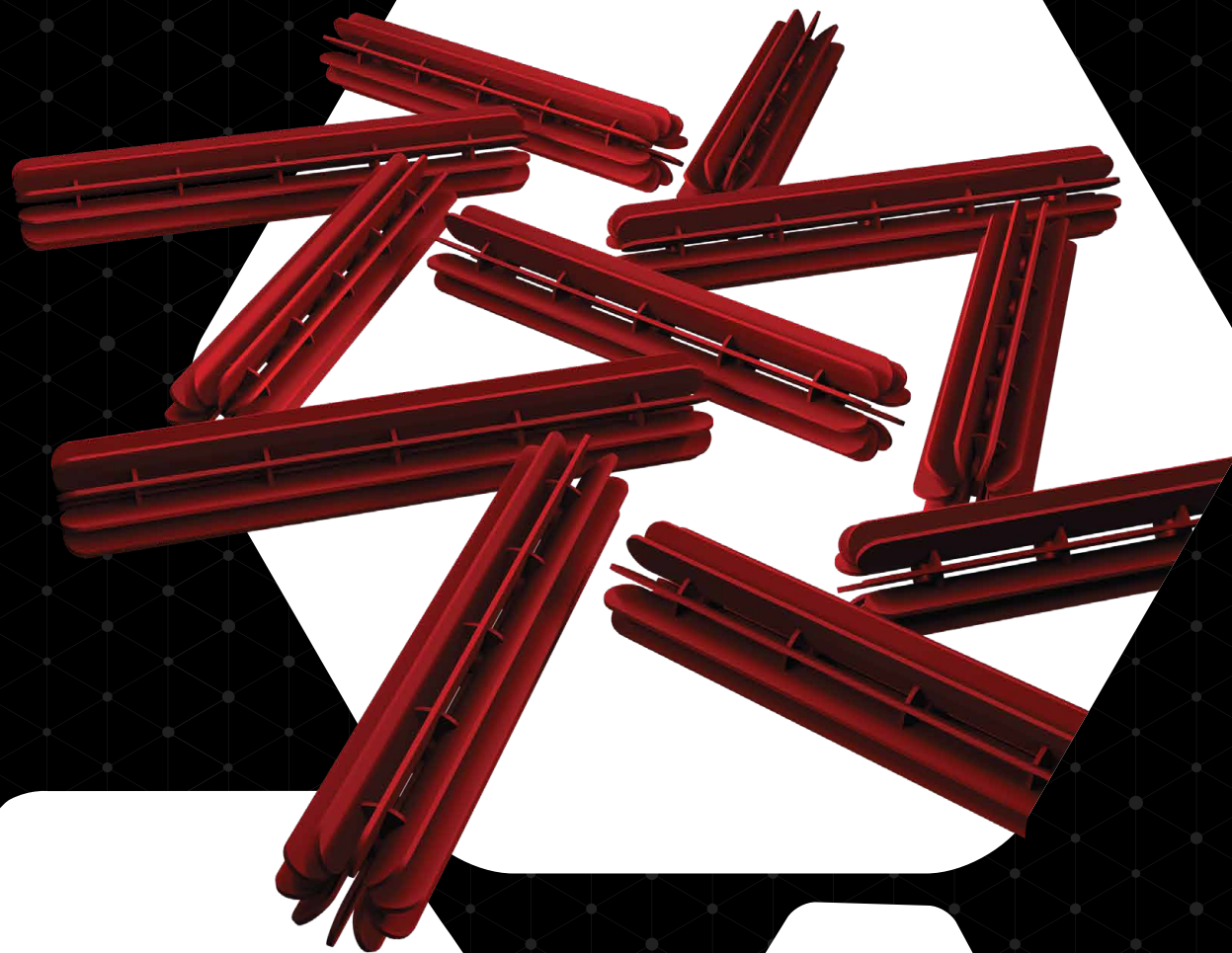


# TIMBER

ASSEMBLY INSTRUCTIONS



1Six8

Designers of acoustic and **environmentally sustainable** office solutions

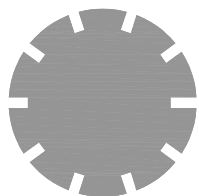
# TIMBER

## ASSEMBLY INSTRUCTIONS

### COMPONENTS

Main frame strut

x10



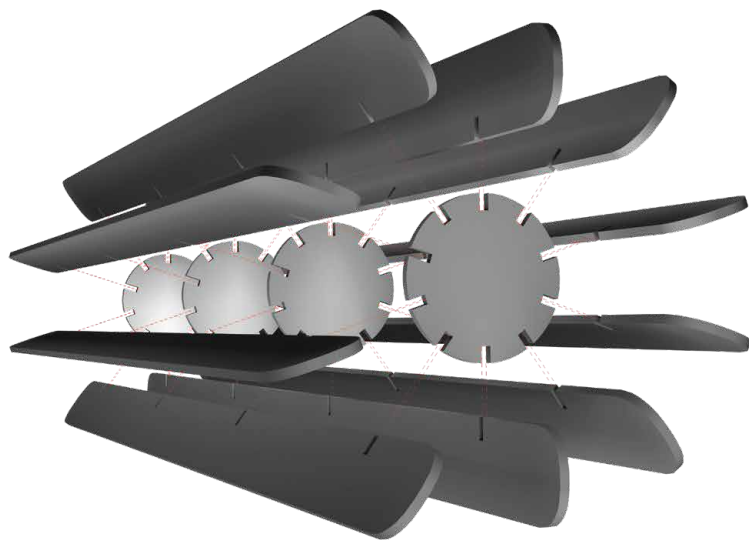
10 slot connector

x4

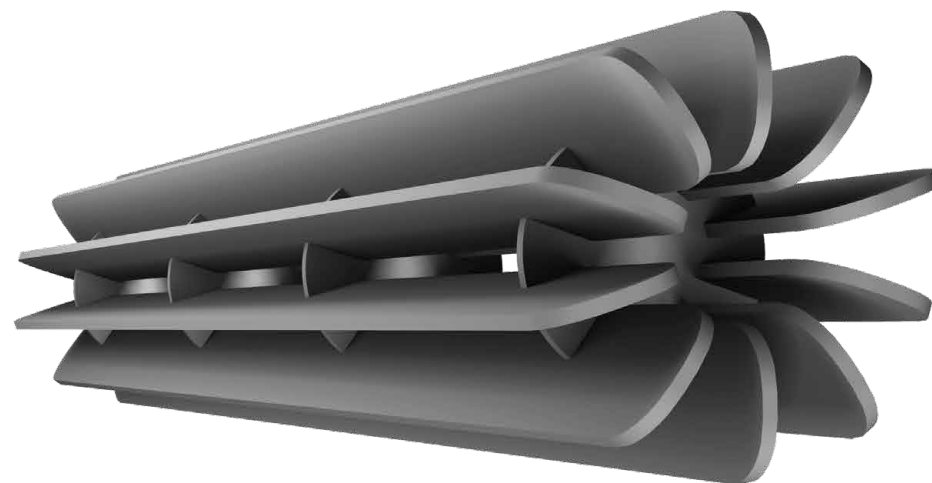
# TIMBER

ASSEMBLY INSTRUCTIONS

EXPANDED VIEW



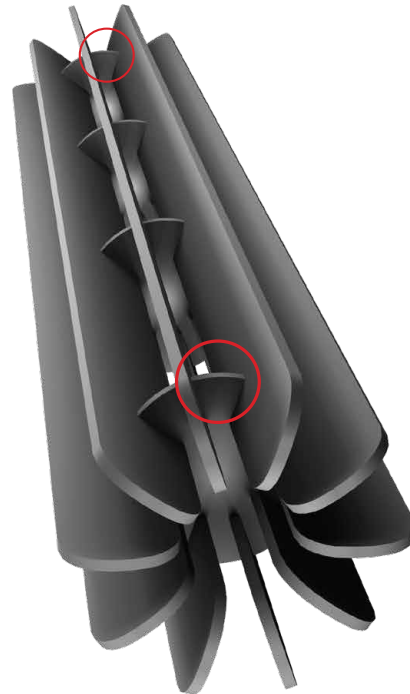
ASSEMBLED PRODUCT



# TIMBER

ASSEMBLY INSTRUCTIONS

## SUSPENSION POINTS



 Suspension point

# TIMBER

## ASSEMBLY INSTRUCTIONS

### Timber 1m



### Sheet Thickness

12mm

### Dimensions

1020mm (l) x 408mm (dia)

### Timber 2m



### Sheet Thickness

12mm

### Dimensions

2050mm (l) x 408mm (dia)

### Suggested Fixings

**Option 1:** Direct hanging code (Clamp needs to be 12mm) with Round single hole Aluminium clip.

### Direct hanging code



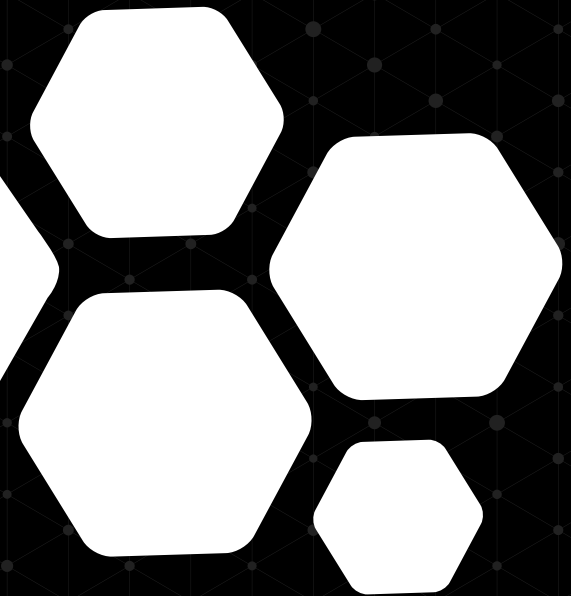
Suitable for 1.5mm wire rope



### Round single hole Aluminum clip



# 14six8



**Telephone**

Francois: +44 7305 349443

Daniel: +27 82 331 8319

**Email**

[studio@14six8.com](mailto:studio@14six8.com)

**Website**

[www.14six8.com](http://www.14six8.com)

**Address**

71-75, Shelton Street, Covent Garden,  
London, WC2H 9JQ, United Kingdom

# TIMBER

**ASSEMBLY INSTRUCTIONS**