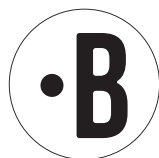
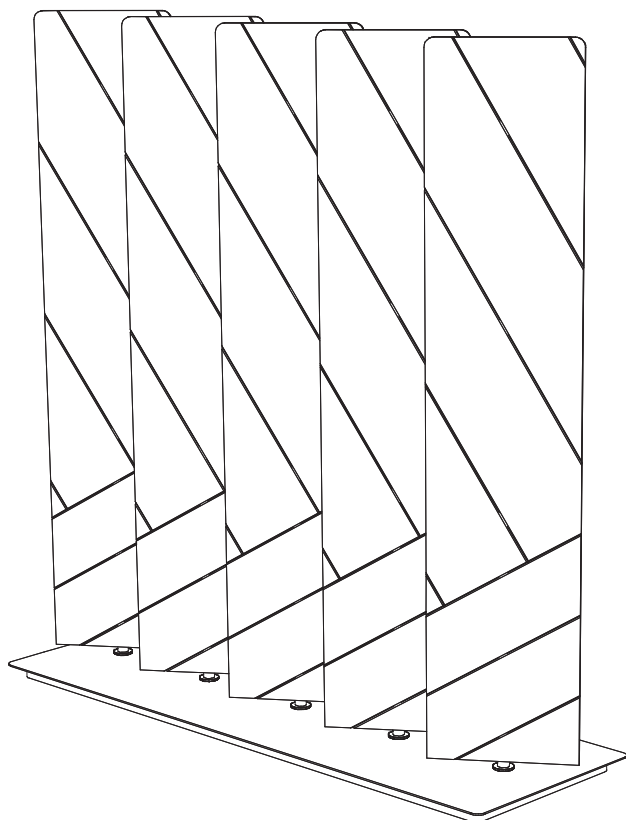
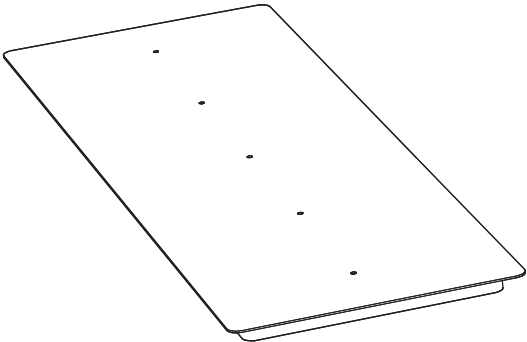
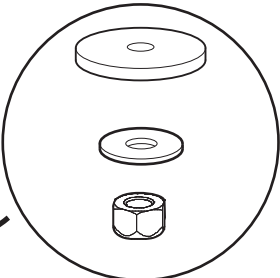
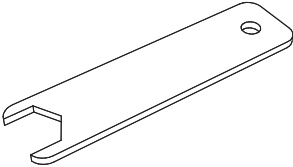
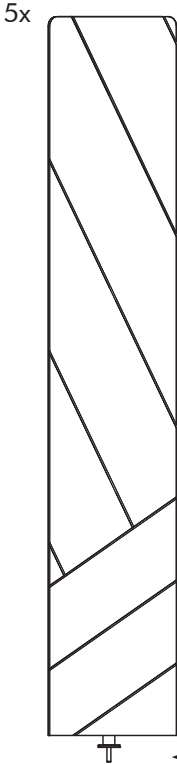
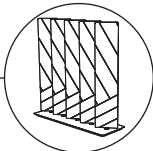


BuzziBlinds

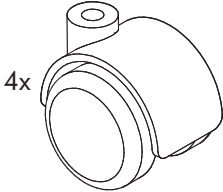
INSTALLATION MANUAL

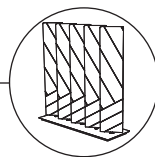


Included BuzziBlind



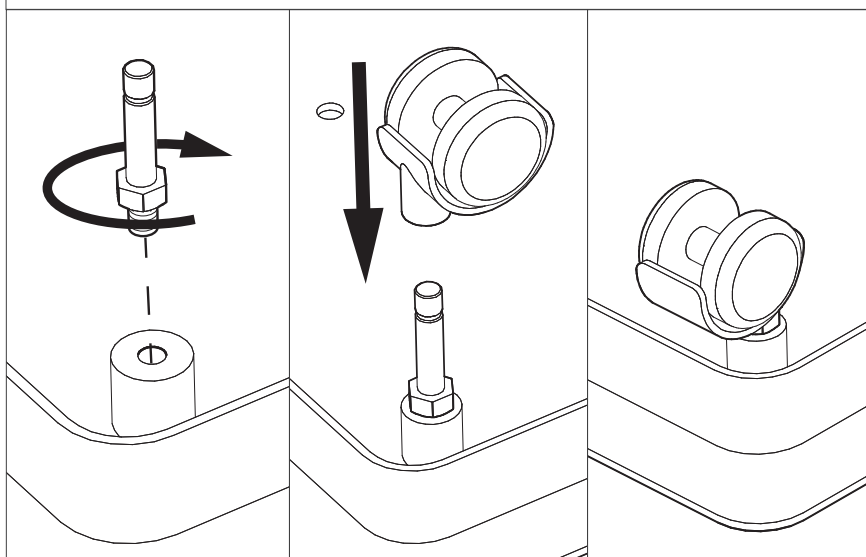
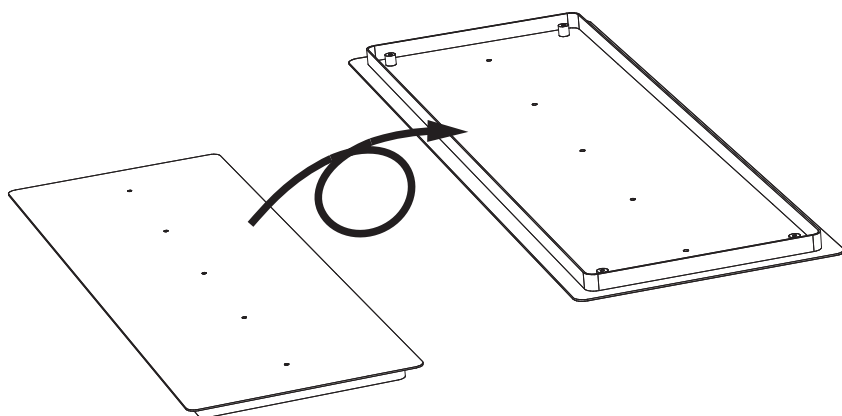
Optional Wheels



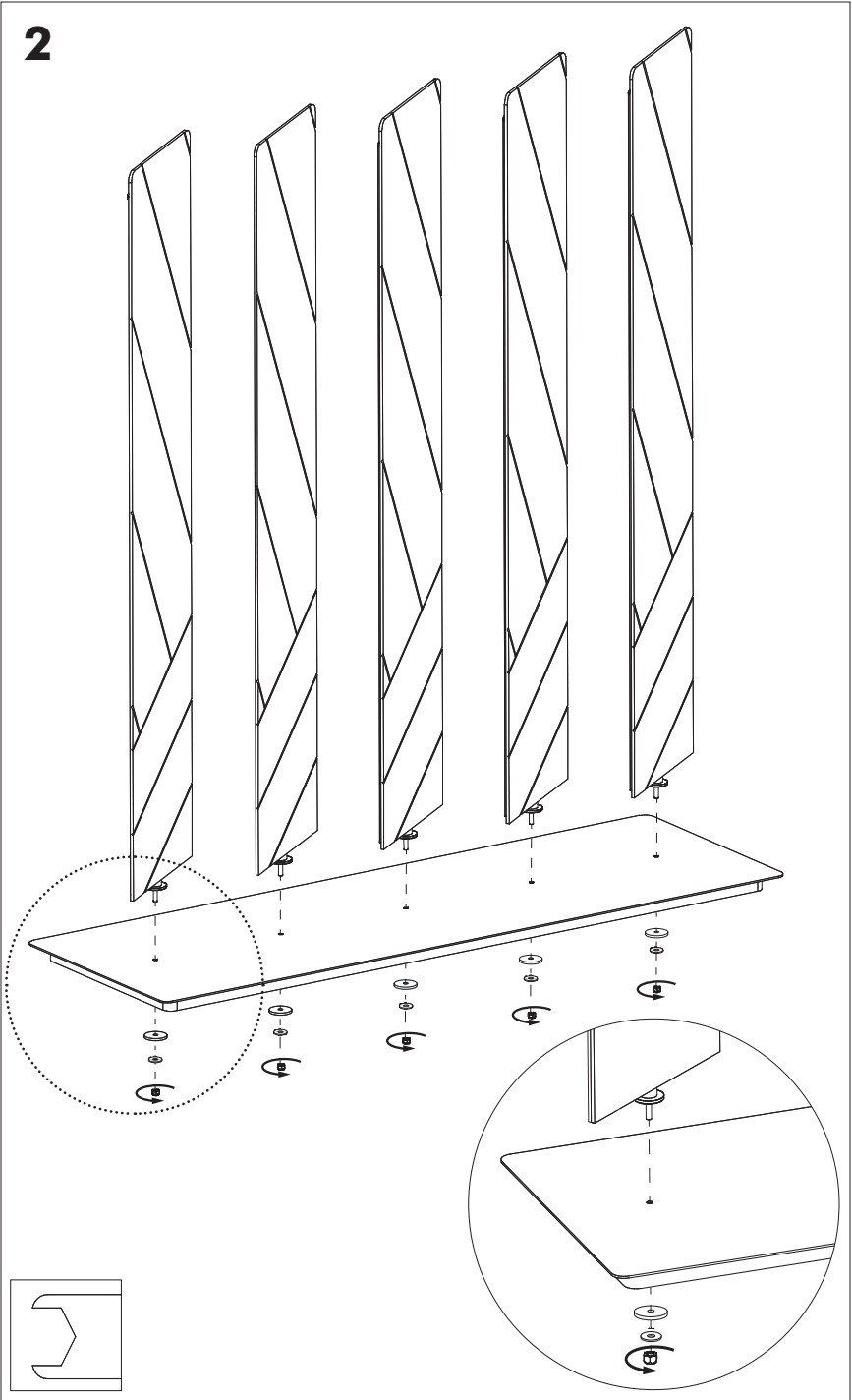


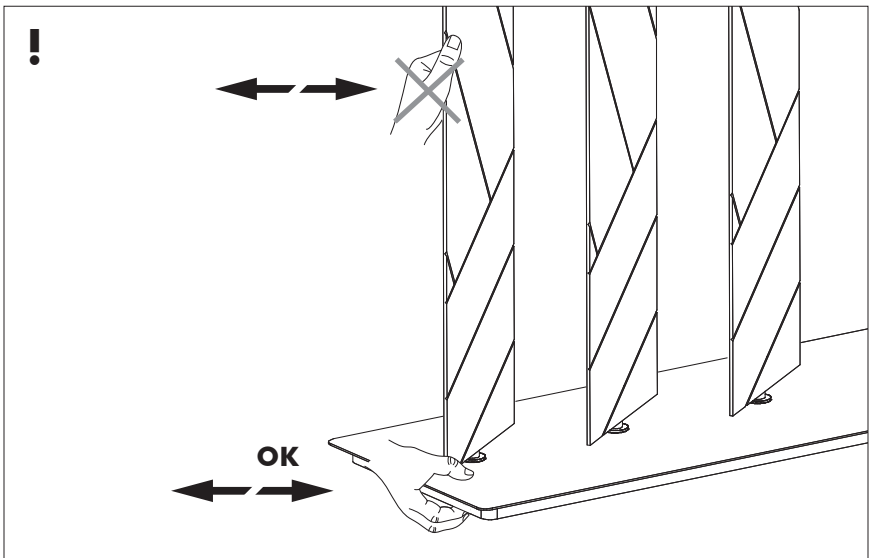
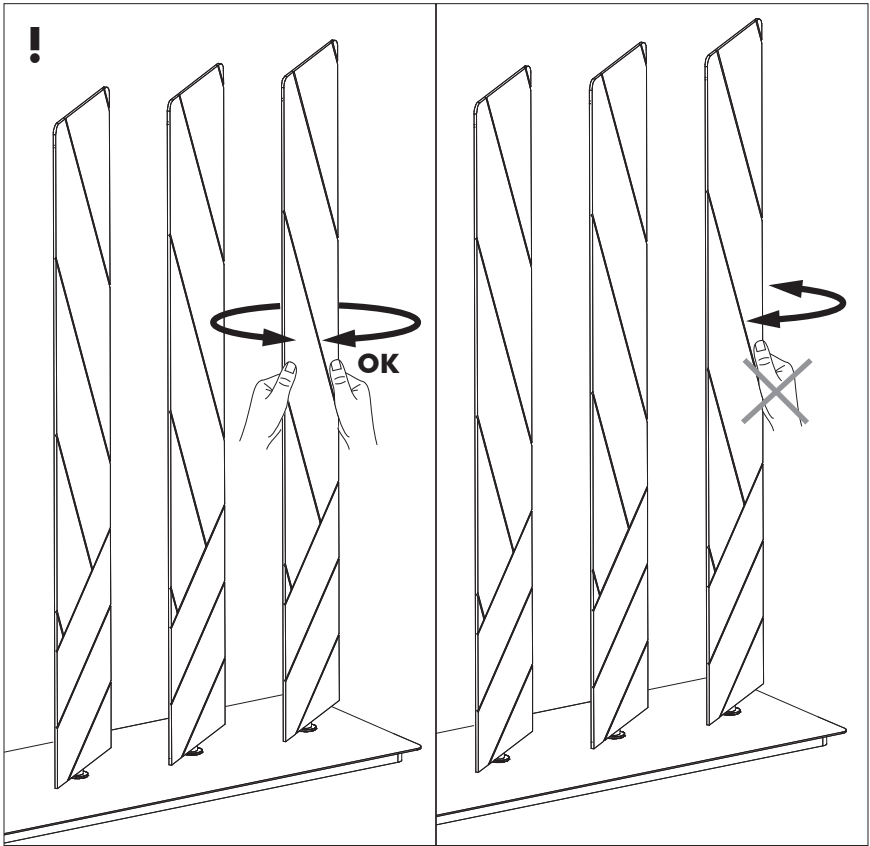
1 PERS.

1 Optional Wheels

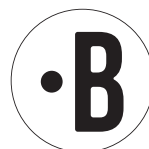


2





BuzziSpace
Groeningenlei 141
2550 Antwerp, Kontich
Belgium
☎ +32 (0)3 846 10 00
✉ info@buzzi.space
🌐 www.buzzi.space



Doc nr.: A-0000001551/1
Last update: 04/03/2021